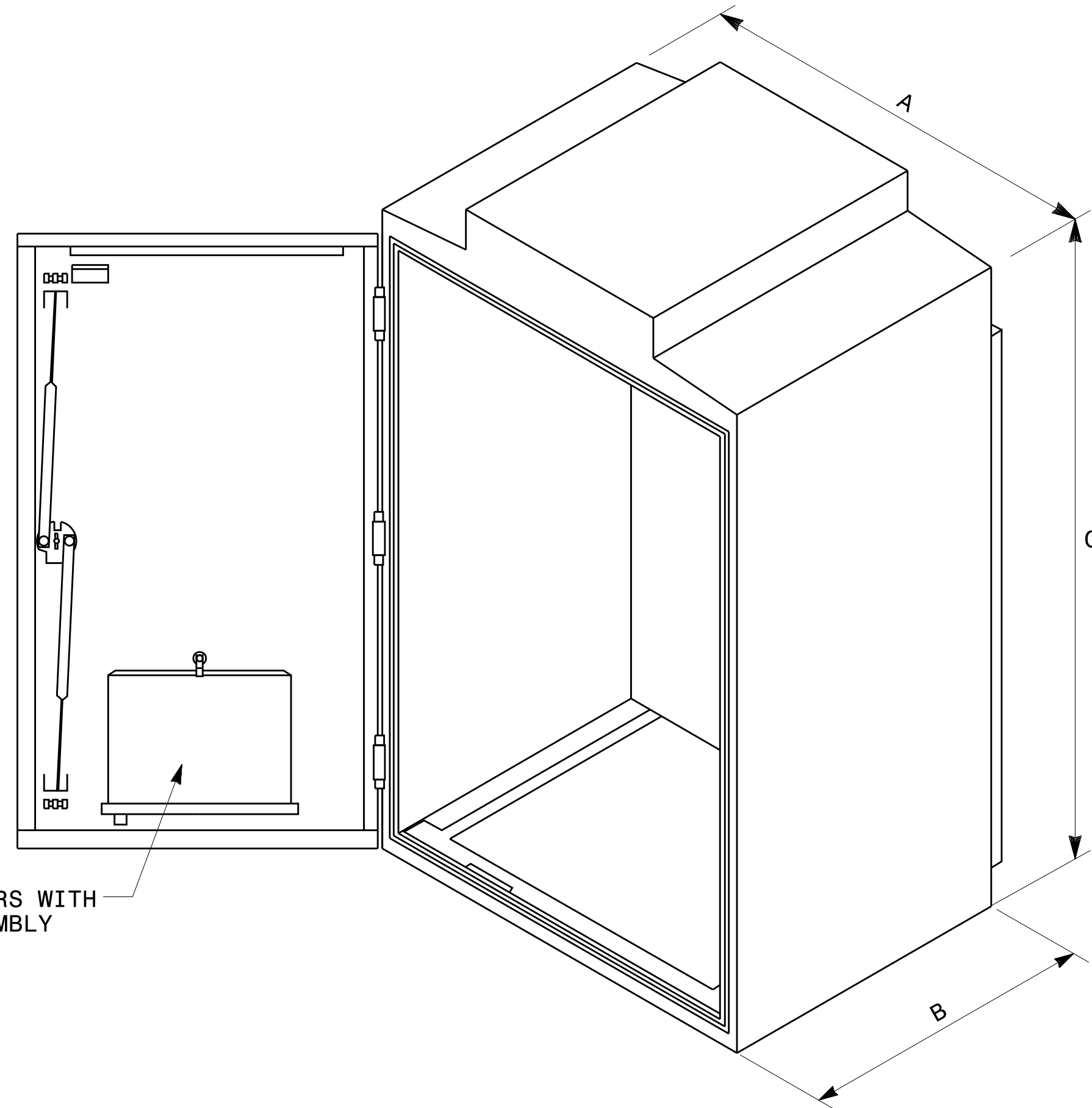


**CABINET HOUSING DIMENSIONS**

	332	336S
A	24"	24"
B	30"	20"
C	64"	46"



VENTILATION LOUVERS WITH  
FILTER/SHELL ASSEMBLY

**EQUIPMENT CABINET SIZES**

6/30/2016 12:36:51PM jerry.cross  
K:\ARL\_TPTD\_ITS\01036317 - NCDOT I-295 ITS\Plans\X-0002F\_ITS\_psh\_4.dgn

**Kimley»Horn**

NC License #F-0102  
P.O. Box 33068  
Raleigh, NC 27636  
Tel: (919) 677-2000  
Fax: (919) 677-2050

	<b>NC-295 FAYETTEVILLE OUTER LOOP ITS</b>		<b>SEAL</b> 
	<b>TYPICAL DETAILS</b>		
DIVISION 06		CUMBERLAND COUNTY	
PLAN DATE: JUNE 2016	REVIEWED BY:		
PREPARED BY: J. CROSS	REVIEWED BY: K. SMITH		
REVISIONS	INIT.	DATE	DATE
_____	_____	_____	6/30/2016
SIGNATURE			DATE
_____			_____
CADD Filename:			