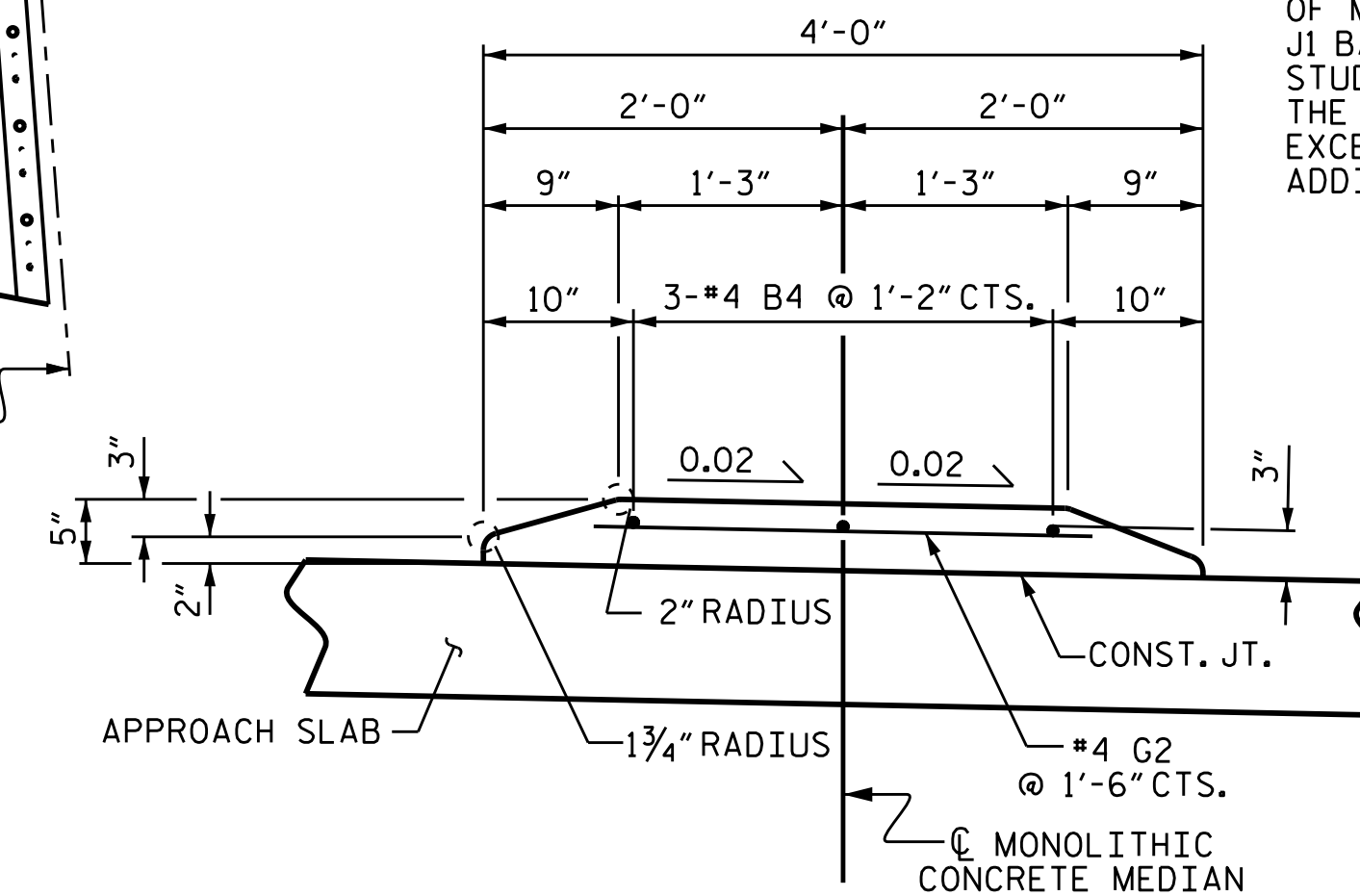


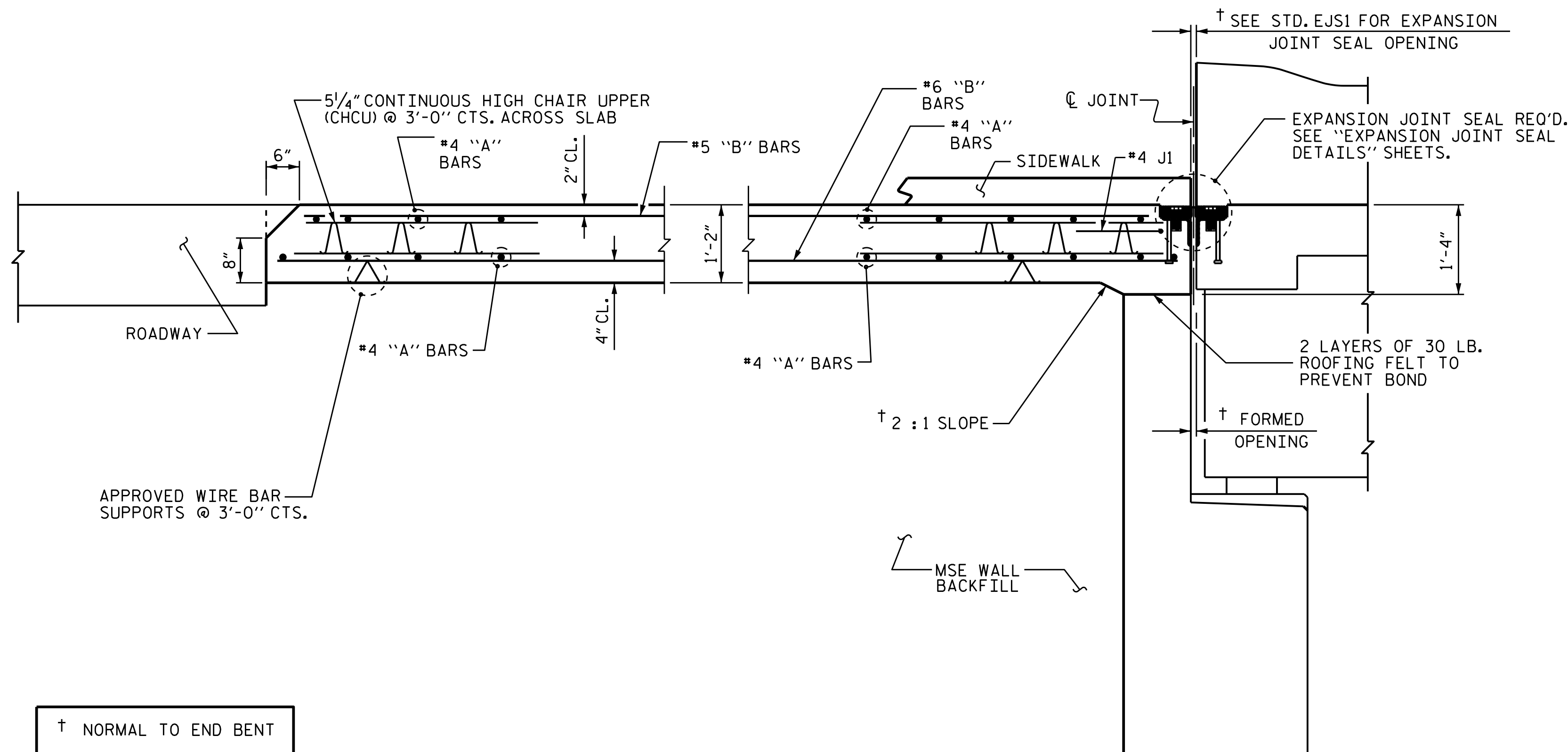
PLAN OF CONCRETE MEDIAN

APPROACH SLAB AT END BENT 1 SHOWN. APPROACH SLAB AT END BENT 2 SIMILAR.

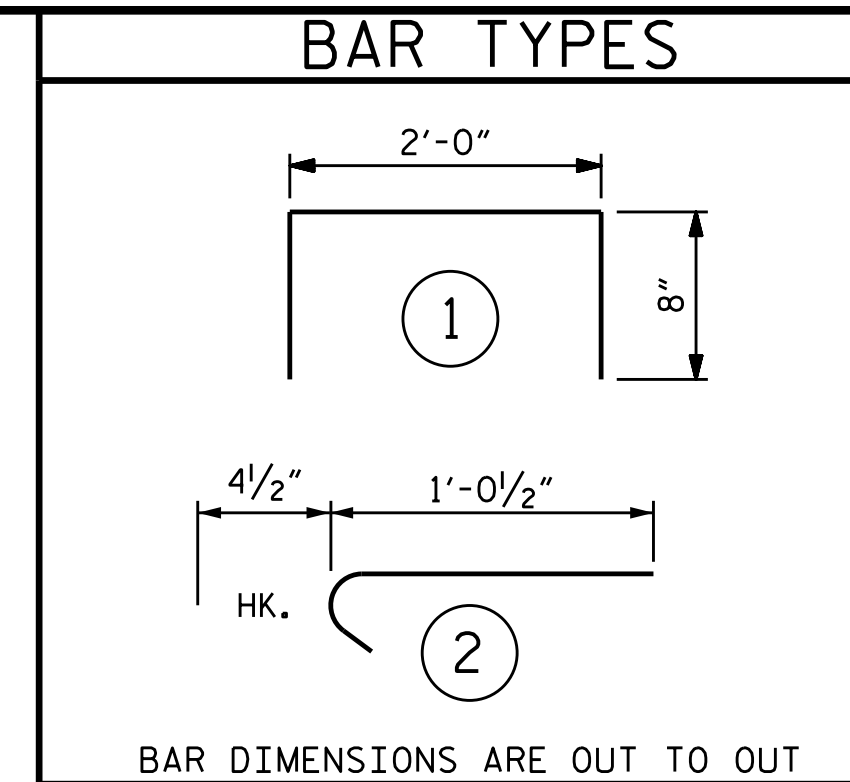


SECTION THROUGH CONCRETE MEDIAN

SEE "MONOLITHIC CONCRETE MEDIAN" SHEET FOR JOINT DETAILS BETWEEN APPROACH SLAB AND BRIDGE.



SECTION THRU SLAB



BAR DIMENSIONS ARE OUT TO OUT

THE QUANTITY OF #4 J1 BARS ON THE BILL OF MATERIAL IS BASED ON 1'-0" CENTERS. J1 BARS SHALL BE PLACED AT EACH VERTICAL STUD ANCHOR BOLT, IN THE EVENT THAT THE NUMBER OF VERTICAL STUD ANCHORS EXCEEDS THE NUMBER OF J1 BARS SPECIFIED, ADDITIONAL J1 BARS WILL NOT BE REQUIRED.

BILL OF MATERIAL

STAGE I FOR ONE APPROACH SLAB (2 REQ'D)

BAR	NO.	SIZE	TYPE	LENGTH	WEIGHT
* A1	75	#4	STR	22'-7"	1131
A2	78	#4	STR	22'-5"	1168
* B1	123	#5	STR	23'-9"	3047
B2	123	#6	STR	24'-7"	4542
* B3	5	#4	STR	24'-7"	82
* G1	25	#4	STR	5'-1"	85
* J1	56	#4	2	1'-5"	53
* U1	8	#4	1	3'-4"	18
REINFORCING STEEL				LBS.	5,710
* EPOXY COATED REINFORCING STEEL				LBS.	4,416
CLASS AA CONCRETE					
POUR 1 - APP. SLAB				C.Y.	66.6
POUR 2 - SIDEWALK				C.Y.	2.5
TOTAL				C.Y.	69.1

STAGE II FOR ONE APPROACH SLAB (2 REQ'D)

BAR	NO.	SIZE	TYPE	LENGTH	WEIGHT
* A3	50	#4	STR	18'-8"	623
A4	52	#4	STR	18'-6"	643
* B1	71	#5	STR	23'-9"	1759
B2	71	#6	STR	24'-7"	2622
* B3	5	#4	STR	24'-7"	82
* G1	25	#4	STR	5'-1"	85
* J1	30	#4	1	1'-5"	28
* U1	8	#4	2	3'-4"	18
REINFORCING STEEL				LBS.	3,265
* EPOXY COATED REINFORCING STEEL				LBS.	2,595
CLASS AA CONCRETE					
POUR 1 - APP. SLAB				C.Y.	38.4
POUR 2 - SIDEWALK				C.Y.	3.1
TOTAL				C.Y.	41.5

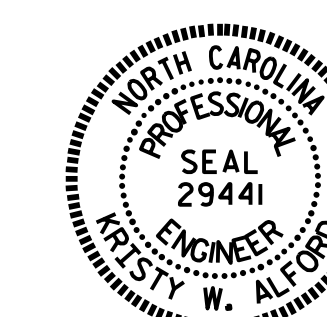
STAGE III FOR ONE MONOLITHIC CONCRETE MEDIAN (2 REQ'D)

BAR	NO.	SIZE	TYPE	LENGTH	WEIGHT
* B4	3	#4	STR	24'-0"	48
* G2	17	#4	STR	2'-8"	30
* EPOXY COATED REINFORCING STEEL				LBS.	78
CLASS AA CONCRETE					
CONCRETE MEDIAN				C.Y.	1.4

SPLICE LENGTHS		
BAR SIZE	EPOXY COATED	UNCOATED
#4	2'-0"	1'-9"
#5	2'-6"	2'-2"
#6	3'-10"	2'-7"

PROJECT NO. B-4490
CUMBERLAND COUNTY
STATION: 35+23.40 -L-

SHEET 2 OF 2



3/29/2016

DocuSigned by: Kristy W. Alford

DOCUMENT NOT CONSIDERED FINAL UNLESS ALL SIGNATURES COMPLETED

REVISIONS						SHEET NO.
NO.	BY:	DATE:	NO.	BY:	DATE:	S-84
1			3			TOTAL SHEETS 84
2			4			

ASSEMBLED BY : T.L. AVERETTE	DATE : 02/15
CHECKED BY : J.P. ADAMS	DATE : 07/15
DRAWN BY : EEM 3/95	REV. 10/17/11 MAA/GM
CHECKED BY : VAP 3/95	REV. 12/21/11 MAA/GM
	REV. 6/13 MAA/GM