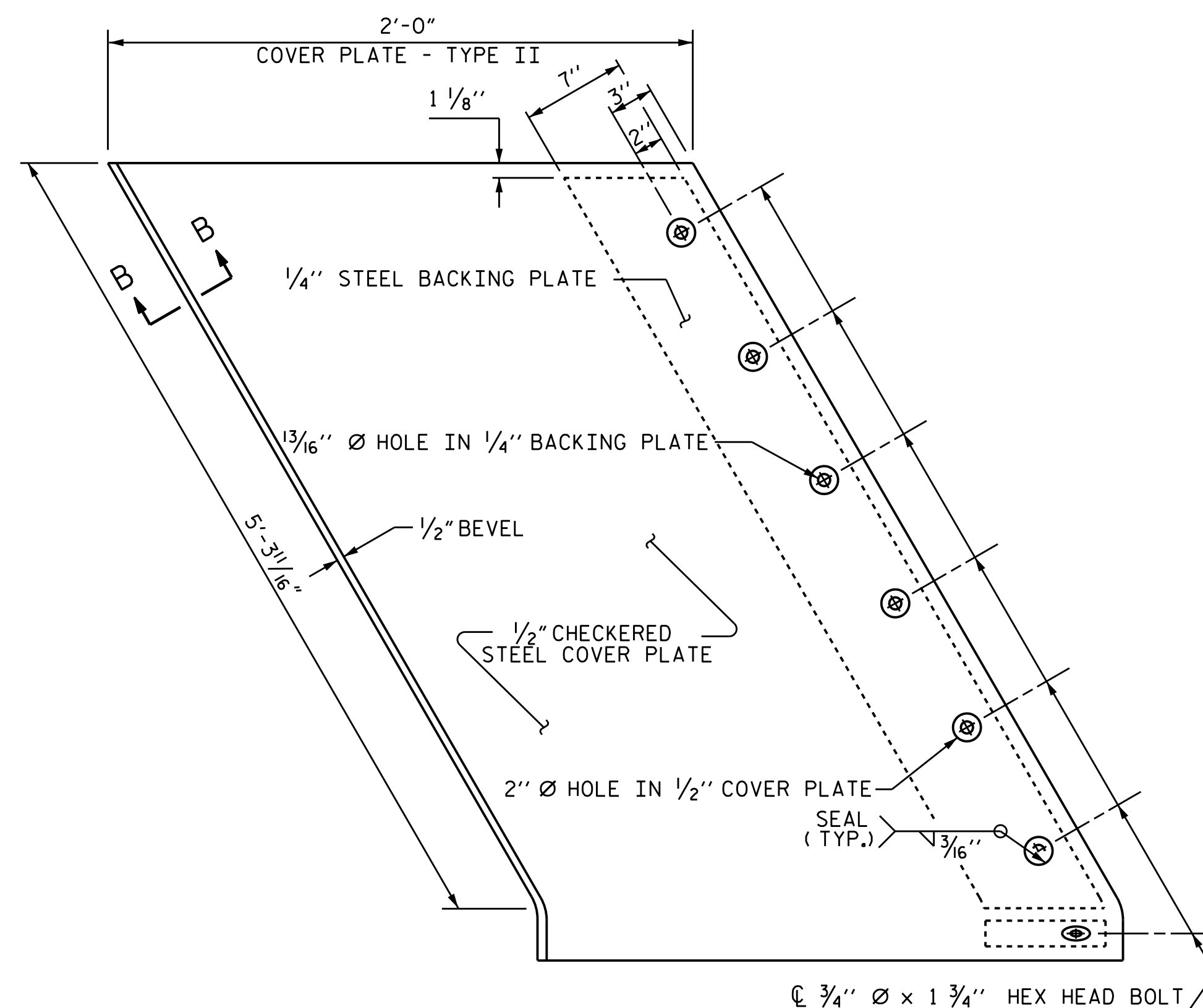


END VIEW
(NORMAL TO SIDEWALK)

* CONCRETE RECESS DIMENSIONS:

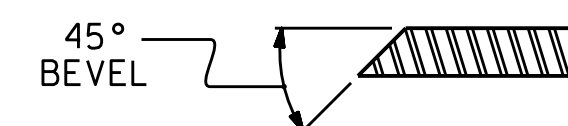
1 3/16 inch FOR THE SIDE OF THE JOINT HAVING THE 1/2 inch COVER PLATE WITH A 1/4 inch BACKING PLATE.

9/16 inch FOR THE SIDE OF THE JOINT HAVING ONLY THE 1/2 inch COVER PLATE.

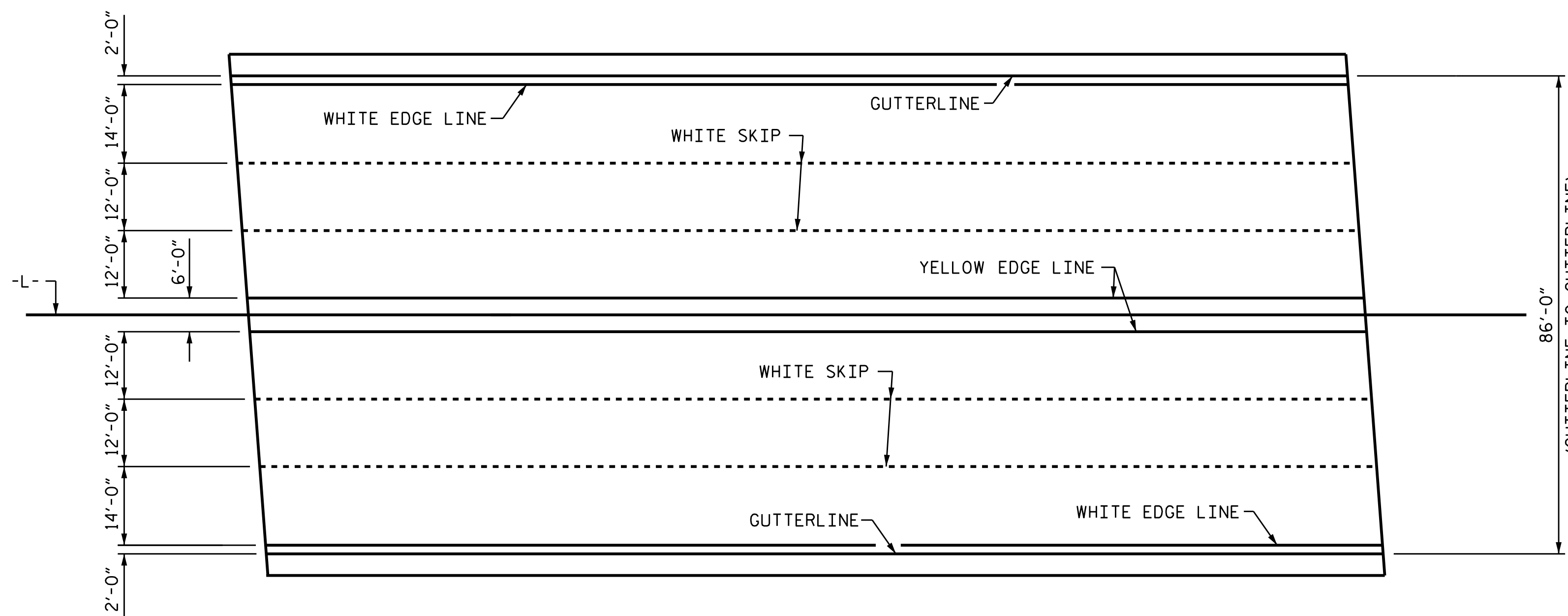


TYPE II - PLAN VIEW

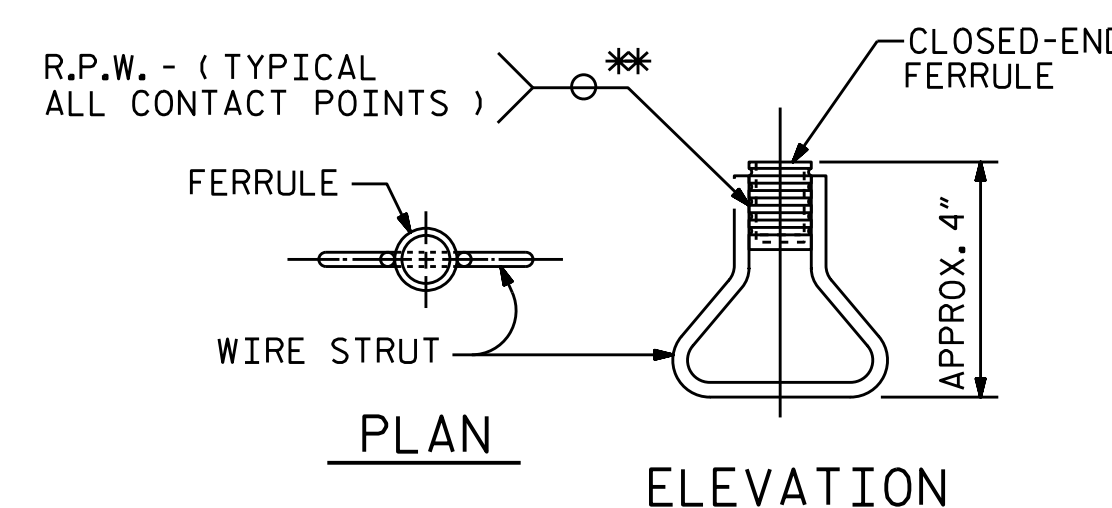
COVER PLATE DETAILS



SECTION B - B



PAVEMENT MARKING ALIGNMENT



CONCRETE INSERT

* EACH WELDED ATTACHMENT OF WIRE TO FERRULE SHALL DEVELOP THE TENSILE STRENGTH OF THE WIRE.



DocuSigned by:
Krsty W. Alford
F245838930BF40E
3/29/2016

PROJECT NO. B-4490
CUMBERLAND COUNTY
STATION: 35+23.40 -L-

SHEET 3 OF 3

STATE OF NORTH CAROLINA
DEPARTMENT OF TRANSPORTATION
RALEIGH
STANDARD
EXPANSION JOINT
SEAL DETAILS
FOR SIDEWALK

ASSEMBLED BY : T.L. AVERETTE	DATE : 02/15
CHECKED BY : J.P. ADAMS	DATE : 07/15
DRAWN BY : REK 10/87	REV. 10/17/00 RWW/LES
CHECKED BY : CRK 1/88	REV. 5/11/06 TLA/GM
	REV. 10/1/11 MAA/GM

DOCUMENT NOT CONSIDERED
FINAL UNLESS ALL
SIGNATURES COMPLETED

REVISIONS						SHEET NO.
NO.	BY:	DATE:	NO.	BY:	DATE:	S-71
1			3			TOTAL SHEETS
2			4			84