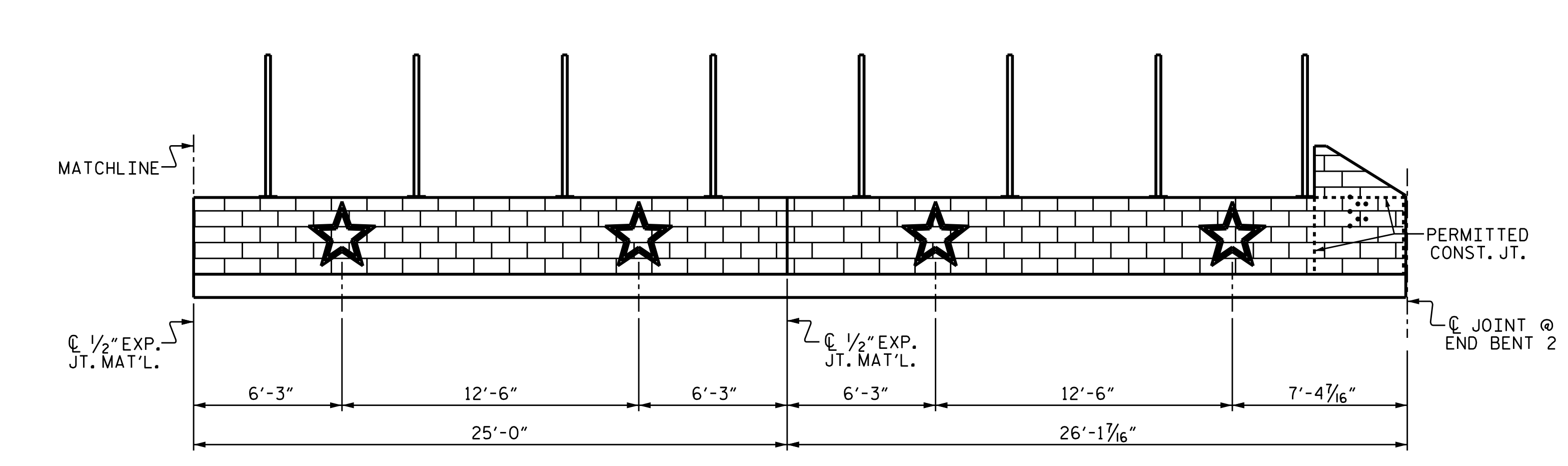
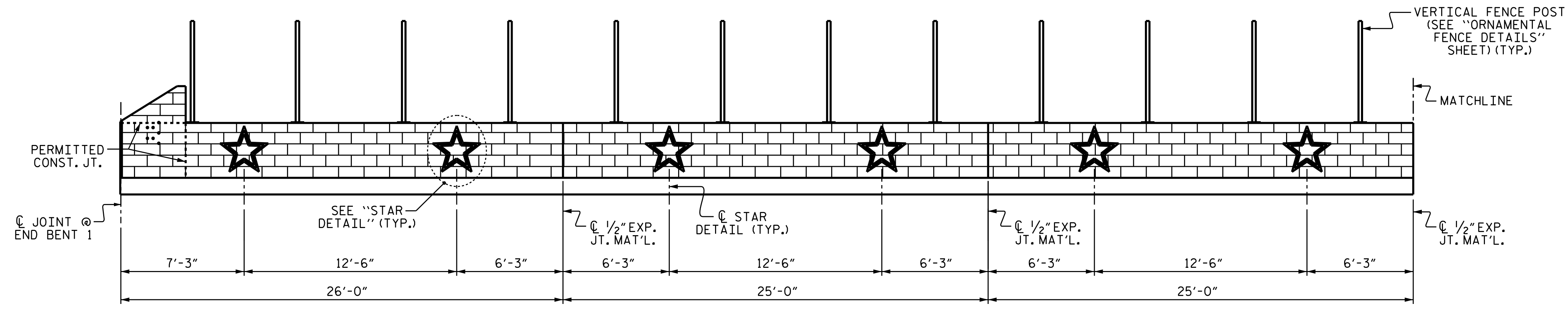


OUTSIDE OF STAGE I PARAPET ELEVATION

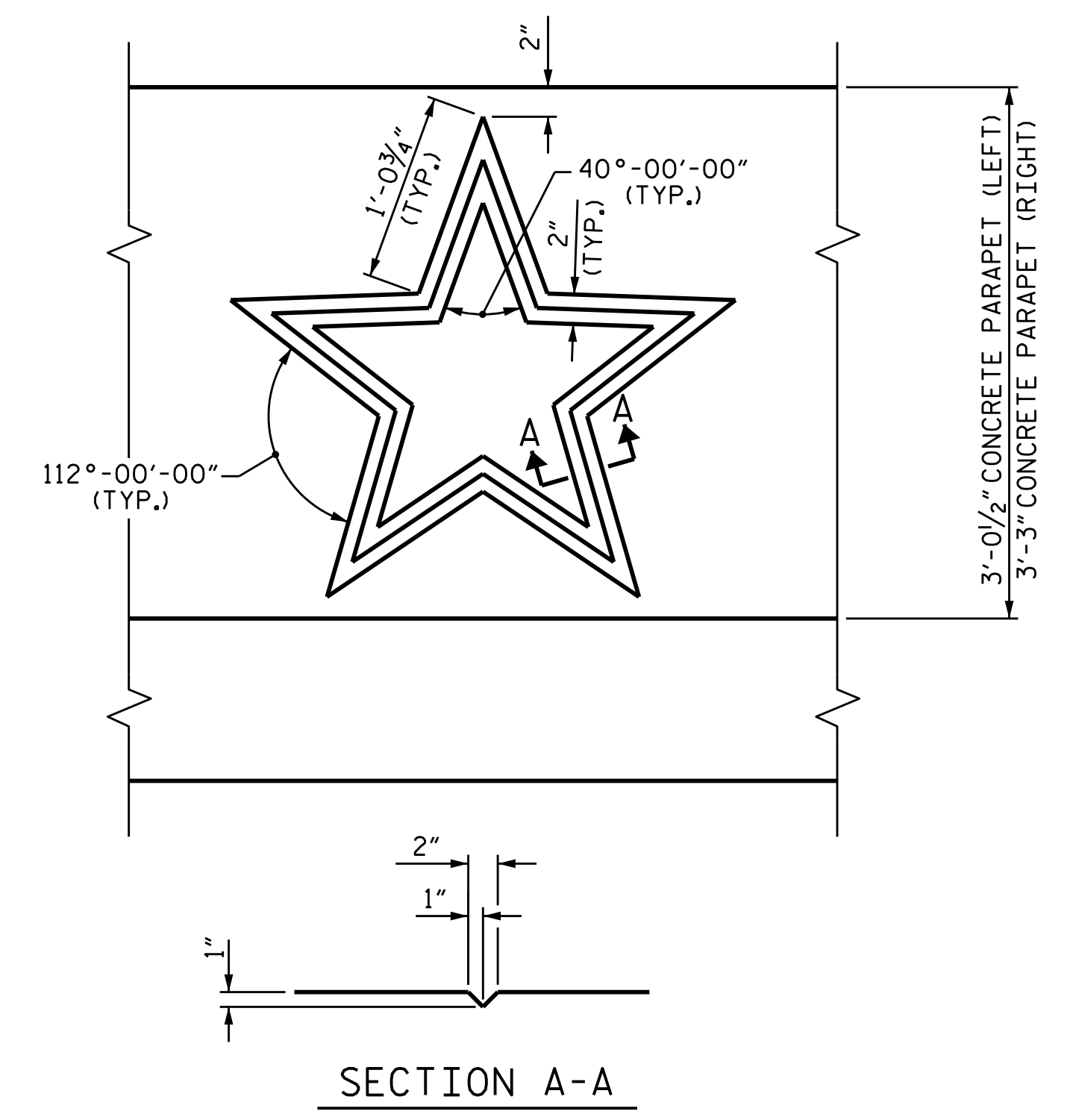


OUTSIDE OF STAGE II PARAPET ELEVATION

NOTES

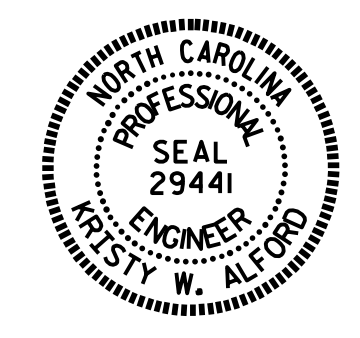
- STAR RELIEF SHOWN SHALL BE CONSIDERED TO BEGIN AT THE POINT OF MAXIMUM RELIEF ON THE FORM LINER. THE TOTAL DEPTH OF RELIEF SHALL NOT EXCEED 2".
- CONCRETE FORM LINER SHALL BE USED ON THE OUTSIDE FACE OF THE PARAPET ONLY.
- FOR ARCHITECTURAL CONCRETE SURFACE TREATMENT, SEE SPECIAL PROVISIONS.
- STAR RELIEF SHALL BE COLORED BLACK TO MATCH FS 27038.
- FOR COLORING OF EDGE OF DECK AND STARS, SEE "APPLICATION OF BRIDGE COATING" SPECIAL PROVISION.

ARCHITECTURAL CONCRETE SURFACE TREATMENT = 819.2 SQ. FT.



STAR DETAIL

PROJECT NO. B-4490
CUMBERLAND COUNTY
 STATION: 35+23.40 -L-



DocuSigned by: *I.L. AVERETTE*
 F2458389308F40E
 3/29/2016

STATE OF NORTH CAROLINA
 DEPARTMENT OF TRANSPORTATION
 RALEIGH
 SUPERSTRUCTURE
 CONCRETE PARAPET
 AESTHETIC DETAILS

DRAWN BY :	I.L. AVERETTE	DATE :	01-15
CHECKED BY :	J.P. ADAMS	DATE :	07-15
DESIGN ENGINEER OF RECORD:	I.L. AVERETTE	DATE :	09-15

DOCUMENT NOT CONSIDERED FINAL UNLESS ALL SIGNATURES COMPLETED

REVISIONS						SHEET NO.	
NO.	BY:	DATE:	NO.	BY:	DATE:	S-64	
1			3			TOTAL SHEETS	84
2			4				