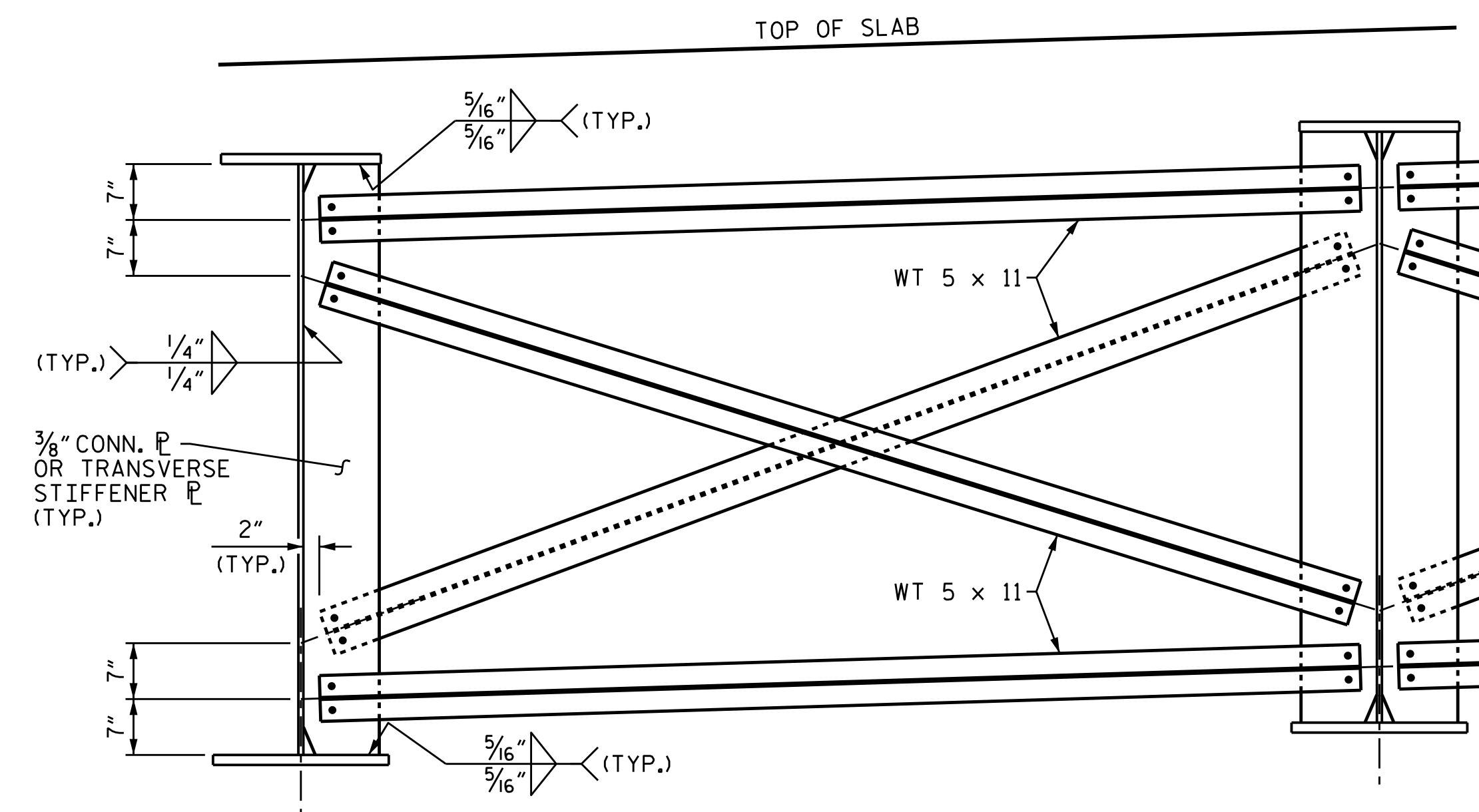
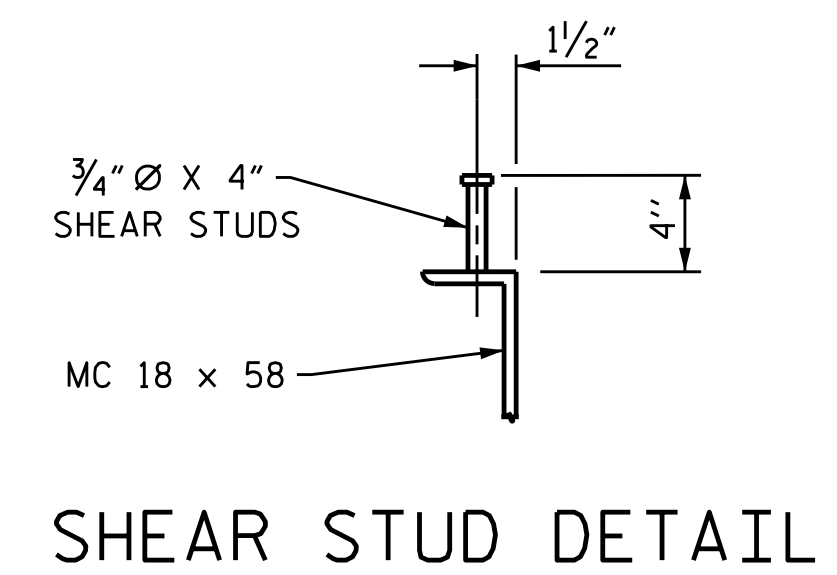
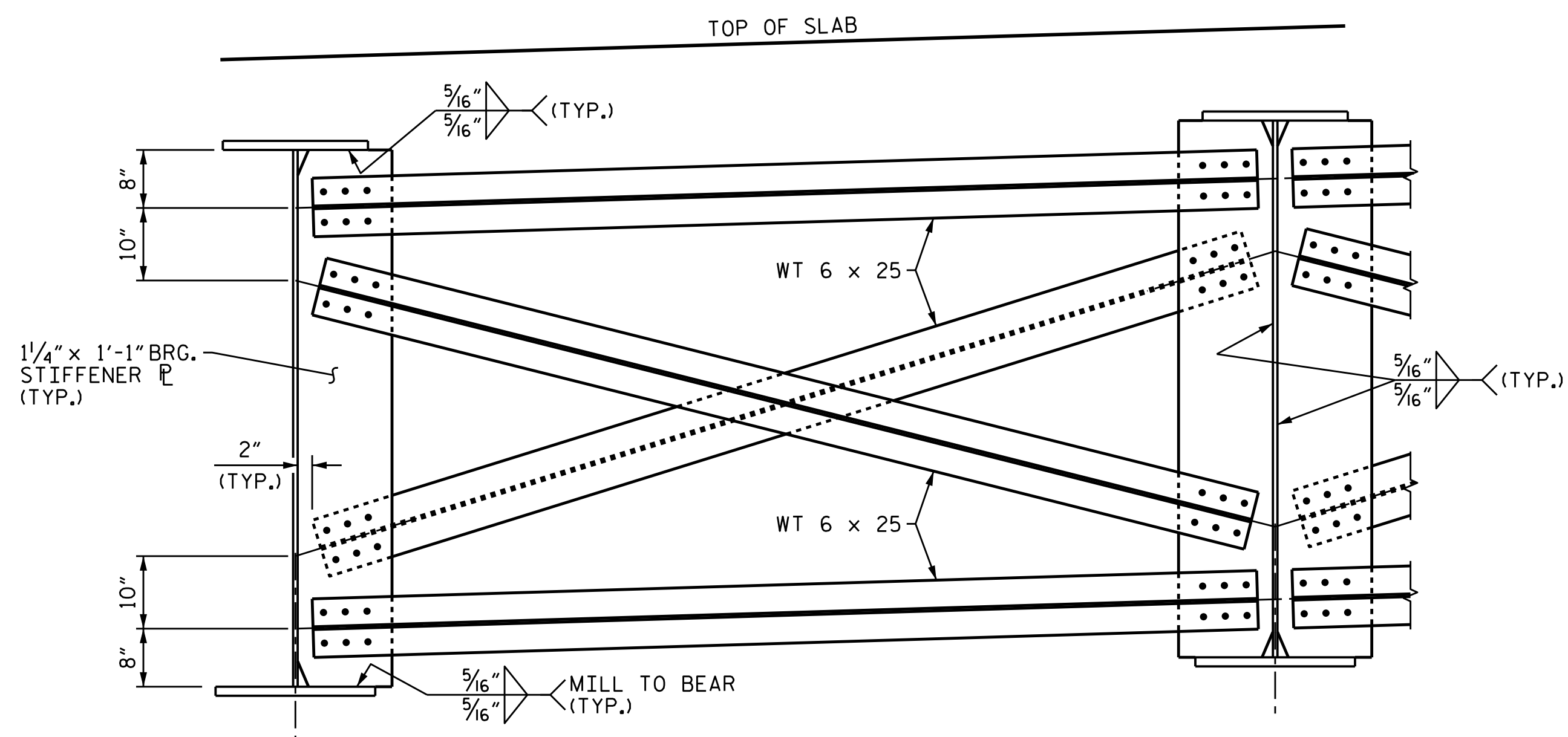


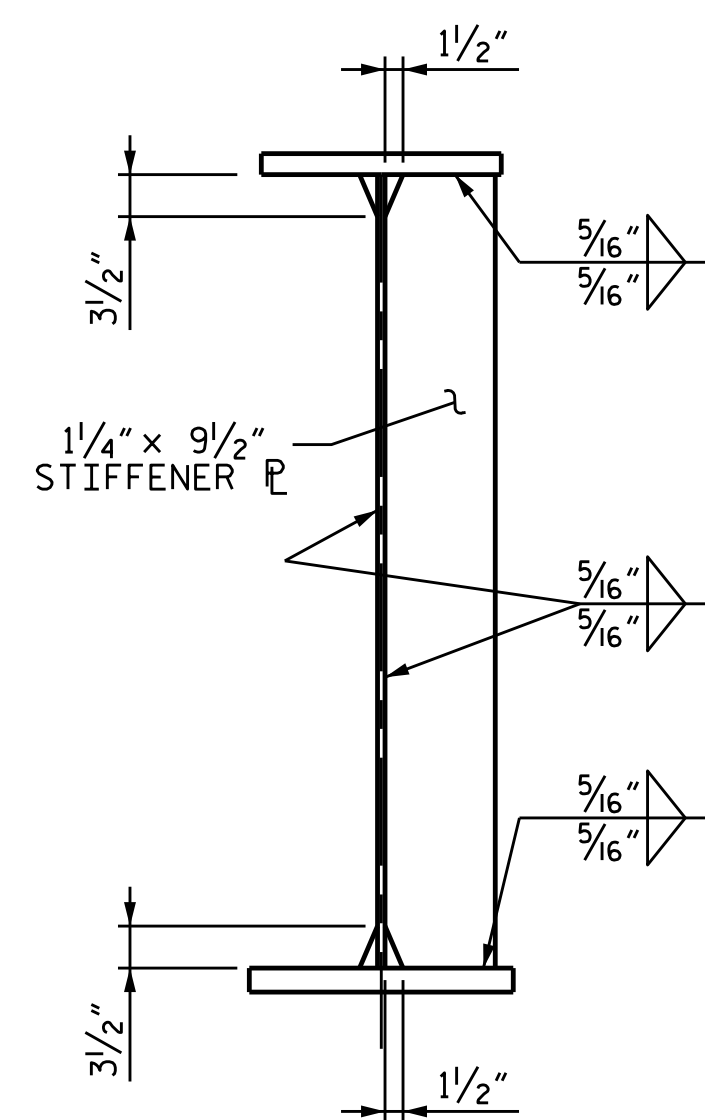
BENT DIAPHRAGM ( D1 )



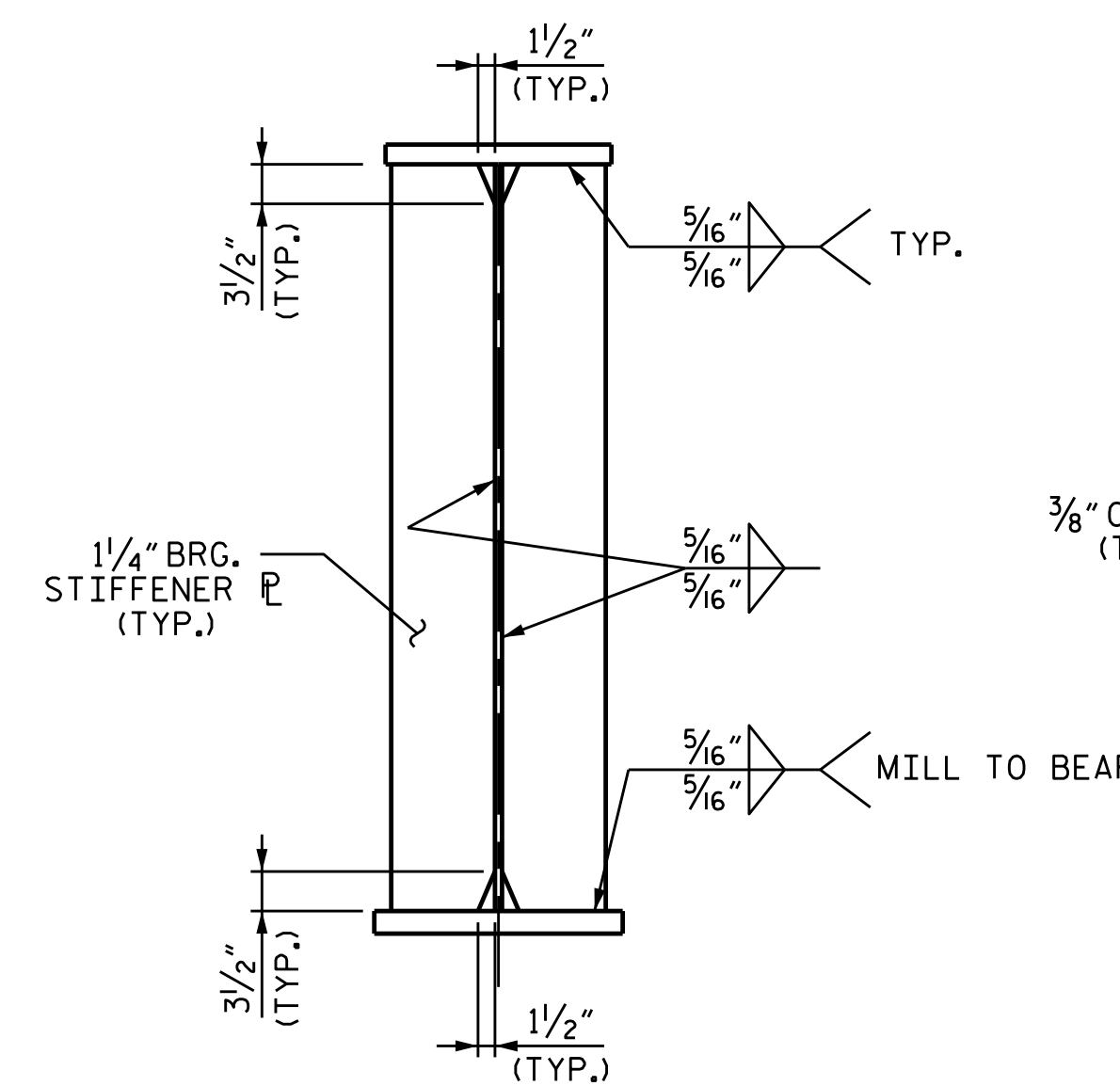
INTERMEDIATE DIAPHRAGM ( D3 )



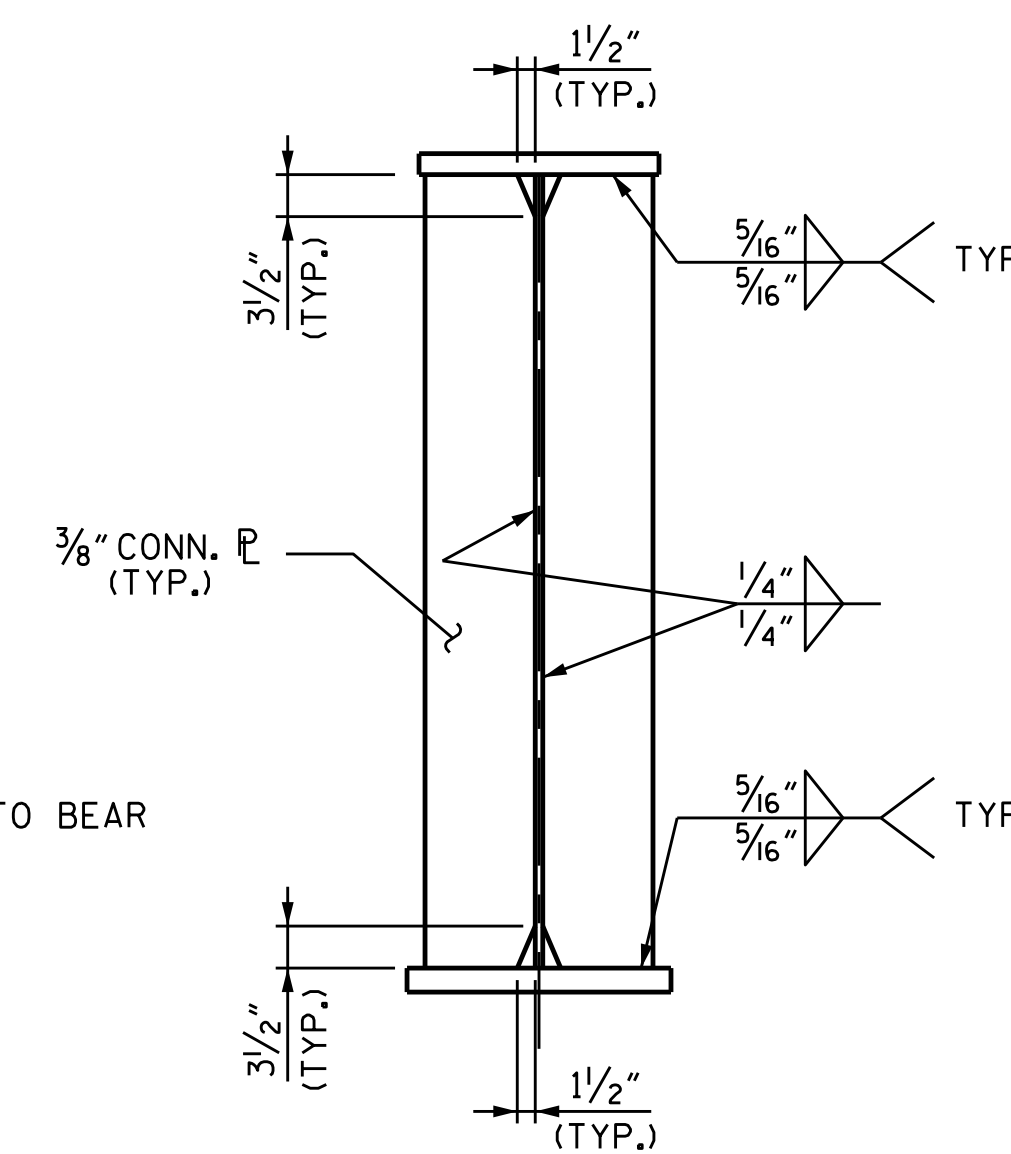
BENT DIAPHRAGM ( D2 )



TRANSVERSE STIFFENER



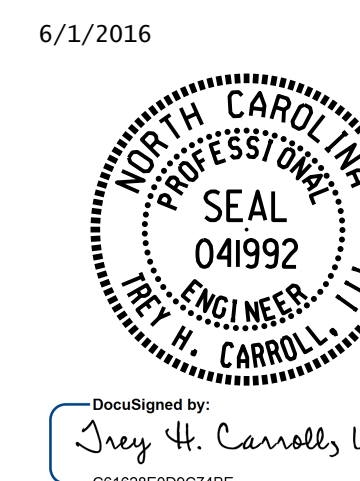
BEARING STIFFENER



CONNECTOR PLATE

PROJECT NO. B-4929  
PENDER COUNTY  
STATION: 38+13.81 -L2-

SHEET 2 OF 4 STEEL ALTERNATE



STATE OF NORTH CAROLINA  
DEPARTMENT OF TRANSPORTATION  
RALEIGH  
SUPERSTRUCTURE  
STRUCTURAL STEEL  
DETAILS

DRAWN BY : K. WHITE DATE : FEB 2016  
CHECKED BY : T. H. CARROLL DATE : MAR 2016  
DESIGN ENGINEER OF RECORD: T. H. CARROLL DATE : MAY 2016

01-JUN-2016 11:54  
R:\Structures\Plans\Final Plans\DGN\STR\401.055.B4929\_SMU\_SS2.dgn

DOCUMENT NOT CONSIDERED  
FINAL UNLESS ALL  
SIGNATURES COMPLETED

REVISIONS				SHEET NO.	
NO.	BY:	DATE:	NO.	BY:	DATE:
1			3		
2			4		

TOTAL SHEETS: 278