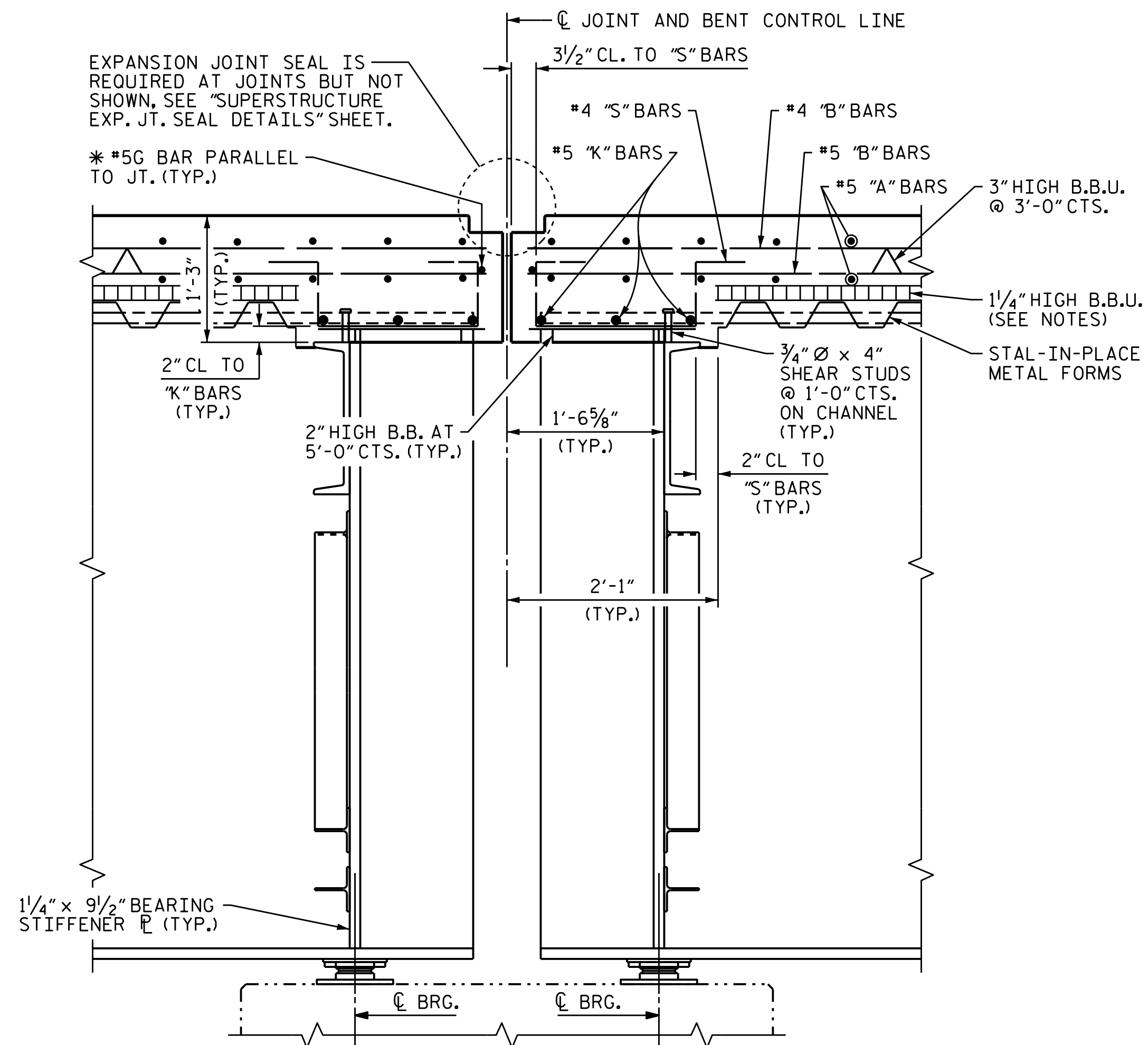


SECTION AT BENT 13

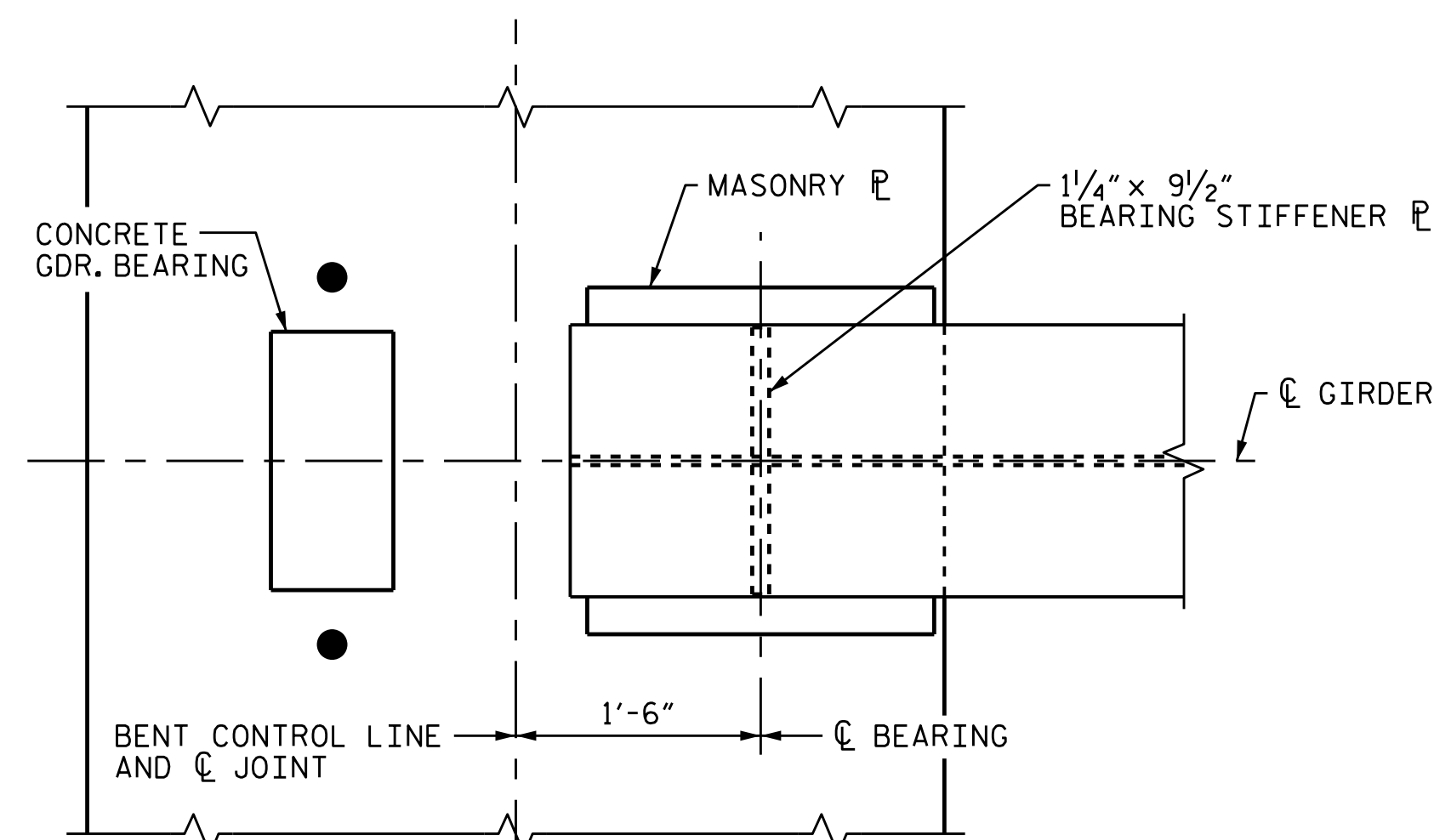
BENT 22 SIMILAR



SECTION AT BENT 16 AND BENT 19

NOTE:
FOR LOCATION OF SECTIONS, SEE "PLAN OF SPANS" SHEETS.

* #5G BAR MAY BE SHIFTED SLIGHTLY, AS NECESSARY,
TO CLEAR REINFORCING STEEL AND STIRRUPS.



PLAN

BENT 13 SHOWN, BENT 22 SIMILAR

PROJECT NO. B-4929
PENDER COUNTY
STATION: 38+13.81 -L2-

SHEET 3 OF 3 STEEL ALTERNATE

6/1/2016



DocuSigned by:
Trey H. Carroll, III
061628E0D9C748E...

STATE OF NORTH CAROLINA
DEPARTMENT OF TRANSPORTATION
RALEIGH
SUPERSTRUCTURE
TYPICAL SECTION
DETAILS

DRAWN BY : K. WHITE DATE : FEB 2016
CHECKED BY : T. H. CARROLL DATE : FEB 2016
DESIGN ENGINEER OF RECORD: T. H. CARROLL DATE : MAY 2016

01-JUN-2016 11:54
R:\Structures\Plans\Final Plans\DGN\STR\401.037.B4929_SMU.TYP3.dgn

DOCUMENT NOT CONSIDERED
FINAL UNLESS ALL
SIGNATURES COMPLETED

REVISIONS						SHEET NO.
NO.	BY:	DATE:	NO.	BY:	DATE:	
1			3			TOTAL SHEETS
2			4			278

S-230