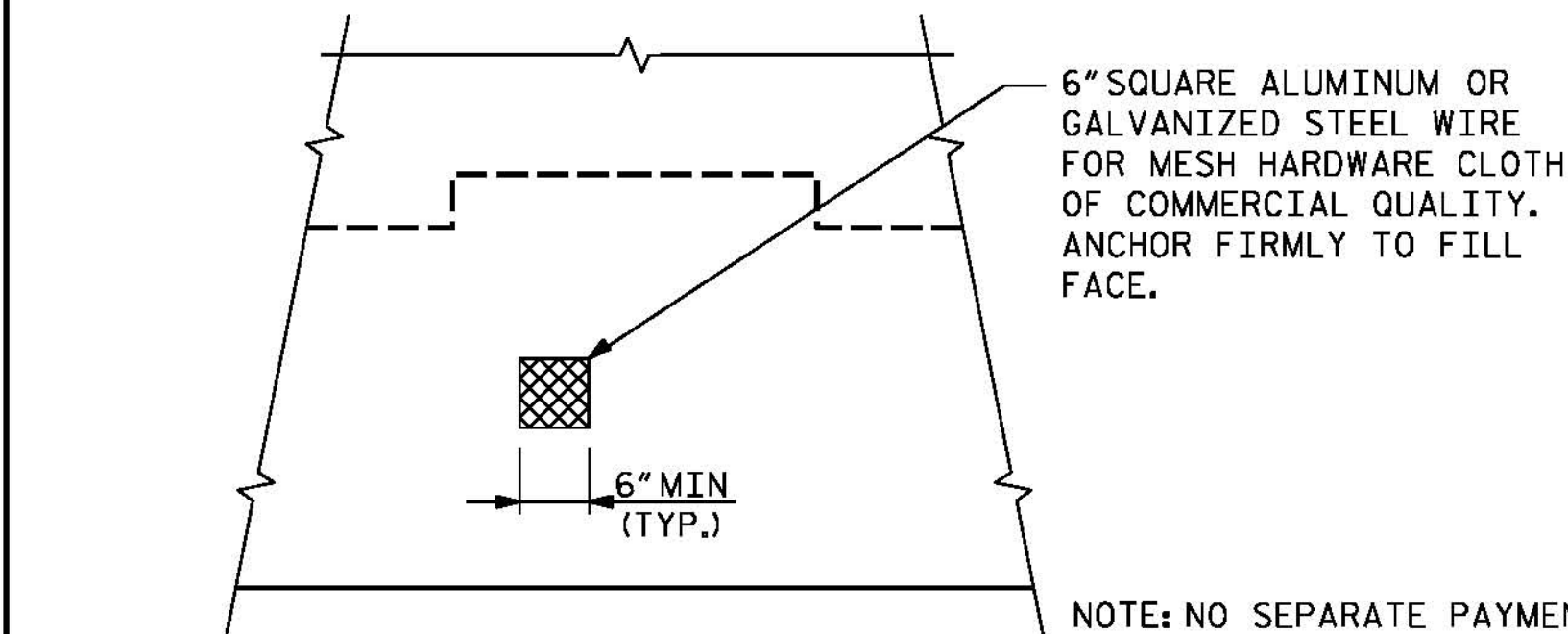


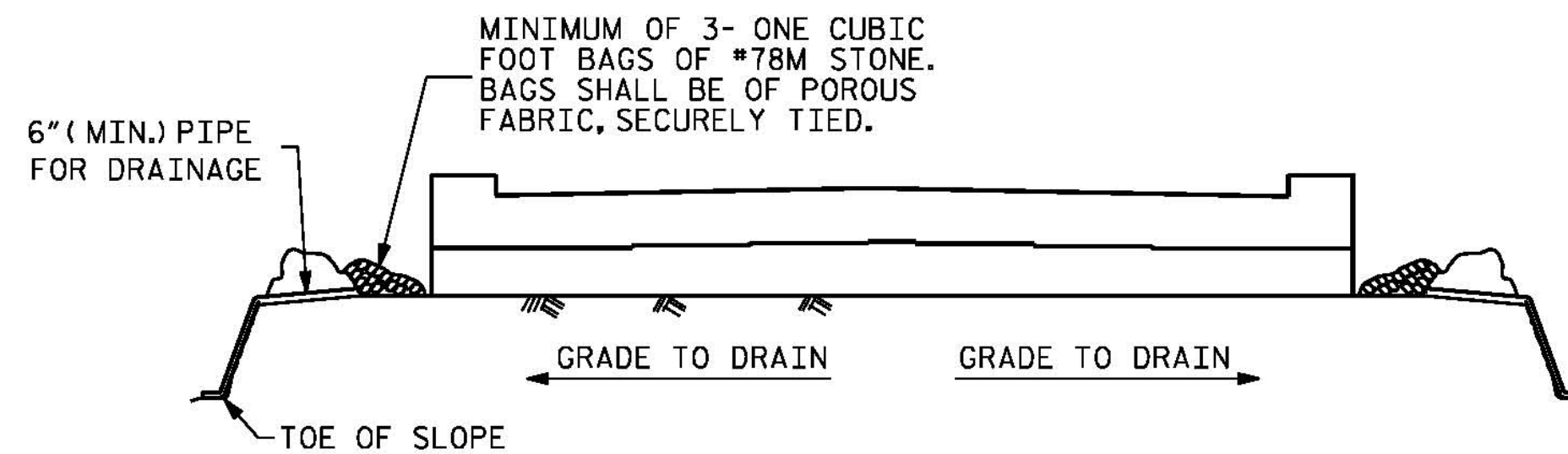
SECTION THRU CAP



VIEW Y-Y

PIPE DRAIN DETAILS

NOTE: NO SEPARATE PAYMENT WILL BE MADE FOR FURNISHING AND INSTALLING THE PVC PLASTIC PIPE DRAINS, HARDWARE CLOTH AND FASTENERS. THE ENTIRE COST OF THIS WORK SHALL BE INCLUDED IN THE UNIT CONTRACT PRICE FOR THE SEVERAL PAY ITEMS.



TEMPORARY DRAINAGE AT END BENT

BAGGED STONE AND PIPE SHALL BE PLACED IMMEDIATELY AFTER COMPLETION OF END BENT EXCAVATION. PIPE MAY BE EITHER CONCRETE, CORRUGATED STEEL, CORRUGATED ALUMINUM ALLOY, OR CORRUGATED PLASTIC. PERFORATED PIPE WILL NOT BE ALLOWED.

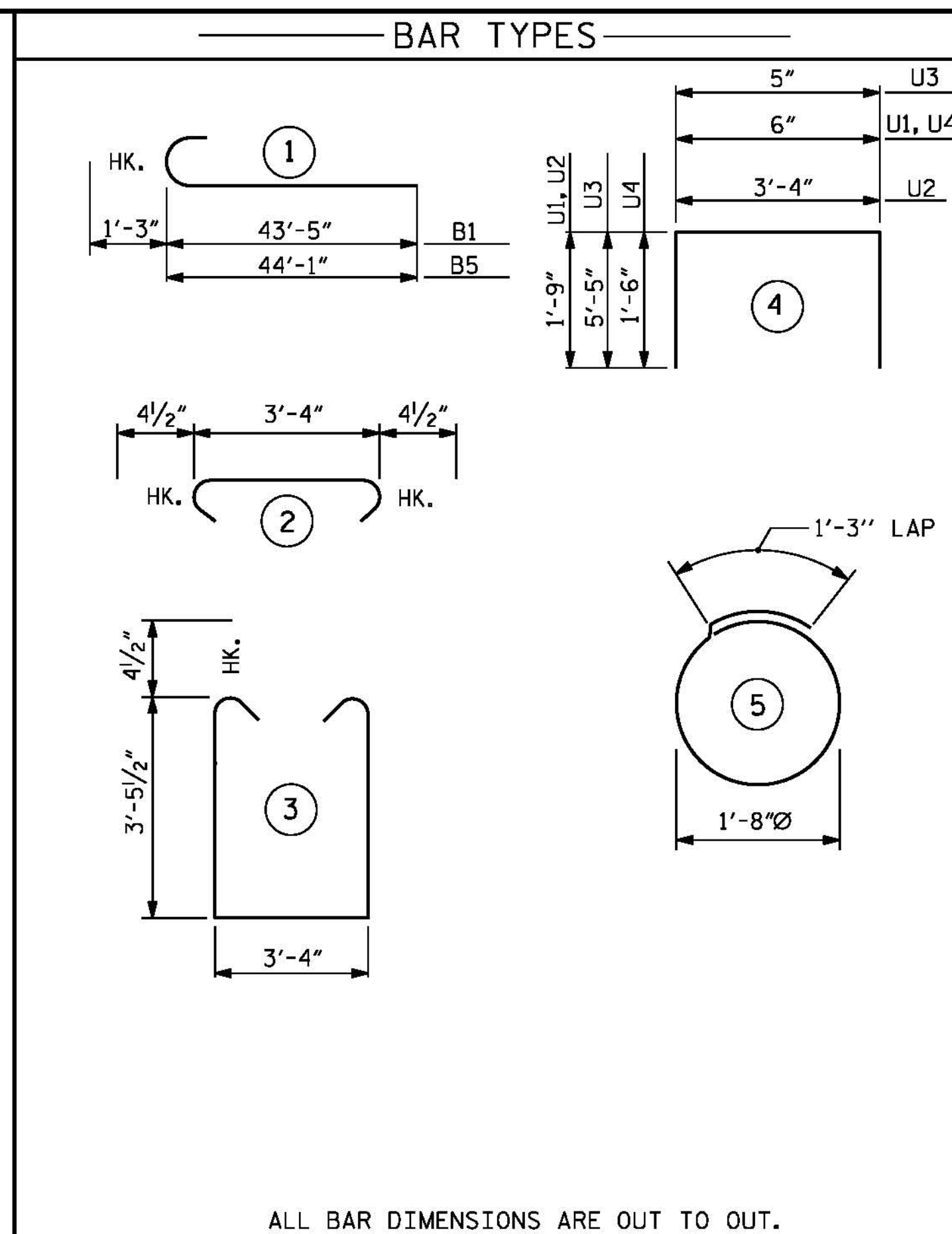
BAGGED STONE SHALL REMAIN IN PLACE UNTIL THE ENGINEER DIRECTS THAT IT BE REMOVED. THE CONTRACTOR SHALL REMOVE AND DISPOSE OF SILT ACCUMULATIONS AT BAGGED STONE WHEN SO DIRECTED BY THE ENGINEER. BAGS SHALL BE REMOVED AND REPLACED WHENEVER THE ENGINEER DETERMINES THAT THEY HAVE DETERIORATED AND LOST THEIR EFFECTIVENESS.

NO SEPARATE PAYMENT WILL BE MADE FOR THIS WORK AND THE ENTIRE COST OF THIS WORK SHALL BE INCLUDED IN THE UNIT CONTRACT PRICE BID FOR THE SEVERAL PAY ITEMS.

NOTES

DESIGN REINFORCEMENT CONNECTED TO END BENT CAP FOR FACTORED STRAP LOAD OF 4.5 KIPS/FT ACTING 3'-0" ABOVE BOTTOM OF CAP ELEVATION. CAST REINFORCEMENT CONNECTORS INTO CAP AND MAINTAIN A CLEARANCE OF AT LEAST 3" BETWEEN CONNECTOR AND REINFORCEMENT STEEL IN CAP.

SEE RETAINING WALL DRAWINGS FOR ADDITIONAL REQUIREMENTS.



ALL BAR DIMENSIONS ARE OUT TO OUT.

BILL OF MATERIAL
END BENT 2

BAR	NUMBER	SIZE	TYPE	LENGTH	WEIGHT
B1	10	#9	1	44'-8"	1519
B2	16	#5	STR	40'-6"	676
B3	20	#4	STR	3'-4"	45
B4	12	#4	STR	27'-9"	222
B5	10	#9	1	45'-4"	1541
B6	10	#4	STR	23'-2"	155
B7	10	#4	STR	3'-6"	23
K1	20	#5	STR	40'-5"	843
K2	10	#5	STR	4'-11"	51
S1	92	#4	3	11'-0"	676
S2	92	#4	2	4'-1"	251
S3	52	#4	5	6'-6"	226
U1	79	#4	4	4'-0"	211
U2	40	#4	4	6'-10"	183
U3	10	#6	4	11'-3"	169
U4	12	#4	4	3'-6"	28
V1	134	#5	STR	7'-10"	1095
V2	12	#5	STR	9'-11"	124
V3	12	#5	STR	9'-7"	120

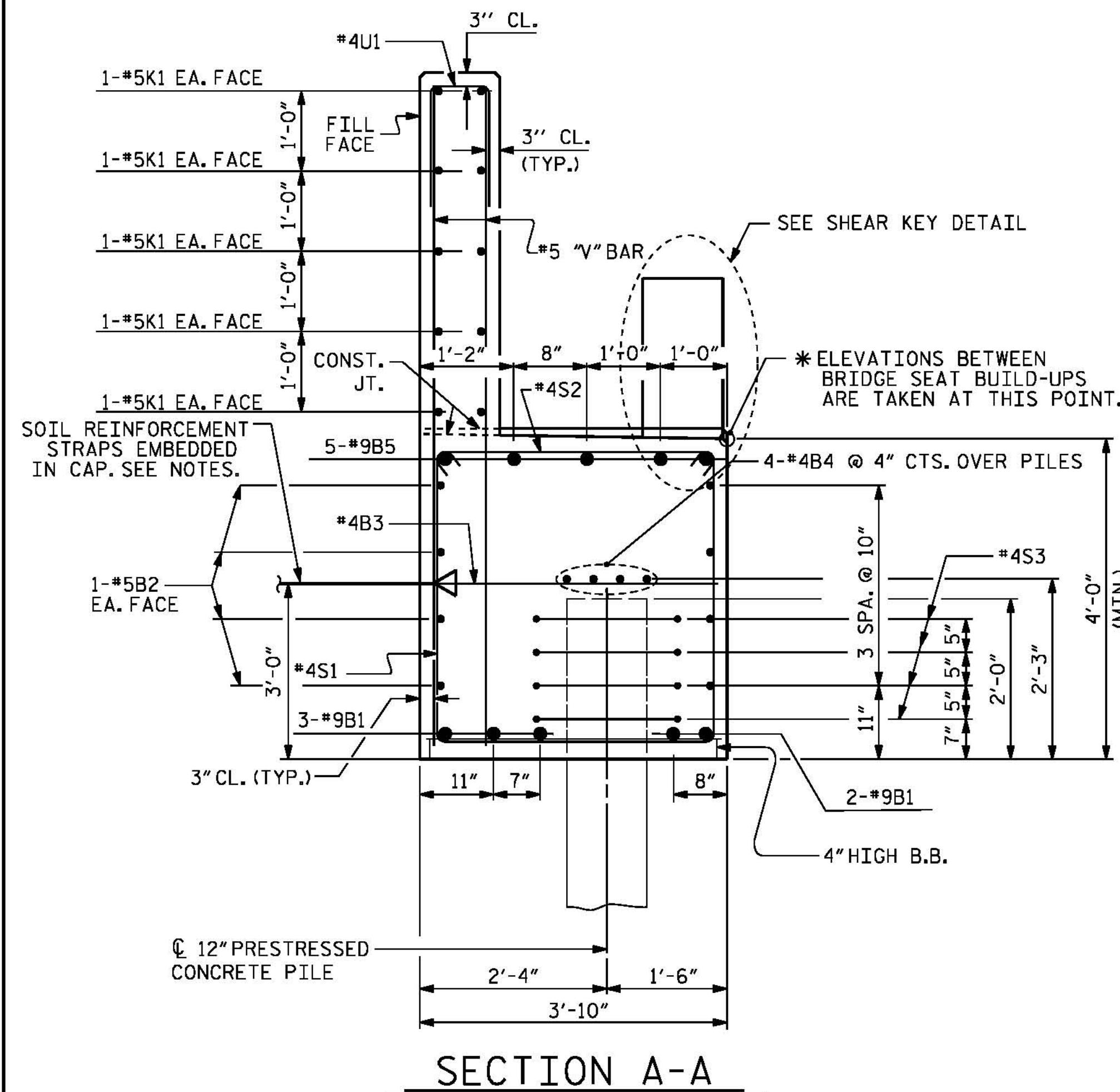
① EPOXY COATED REINFORCING STEEL LBS. 8158

① CLASS AA CONCRETE:
POUR #1 - CAP C.Y. 48.0
POUR #2 - BACKWALL C.Y. 14.9
CLASS AA CONCRETE C.Y. 62.9

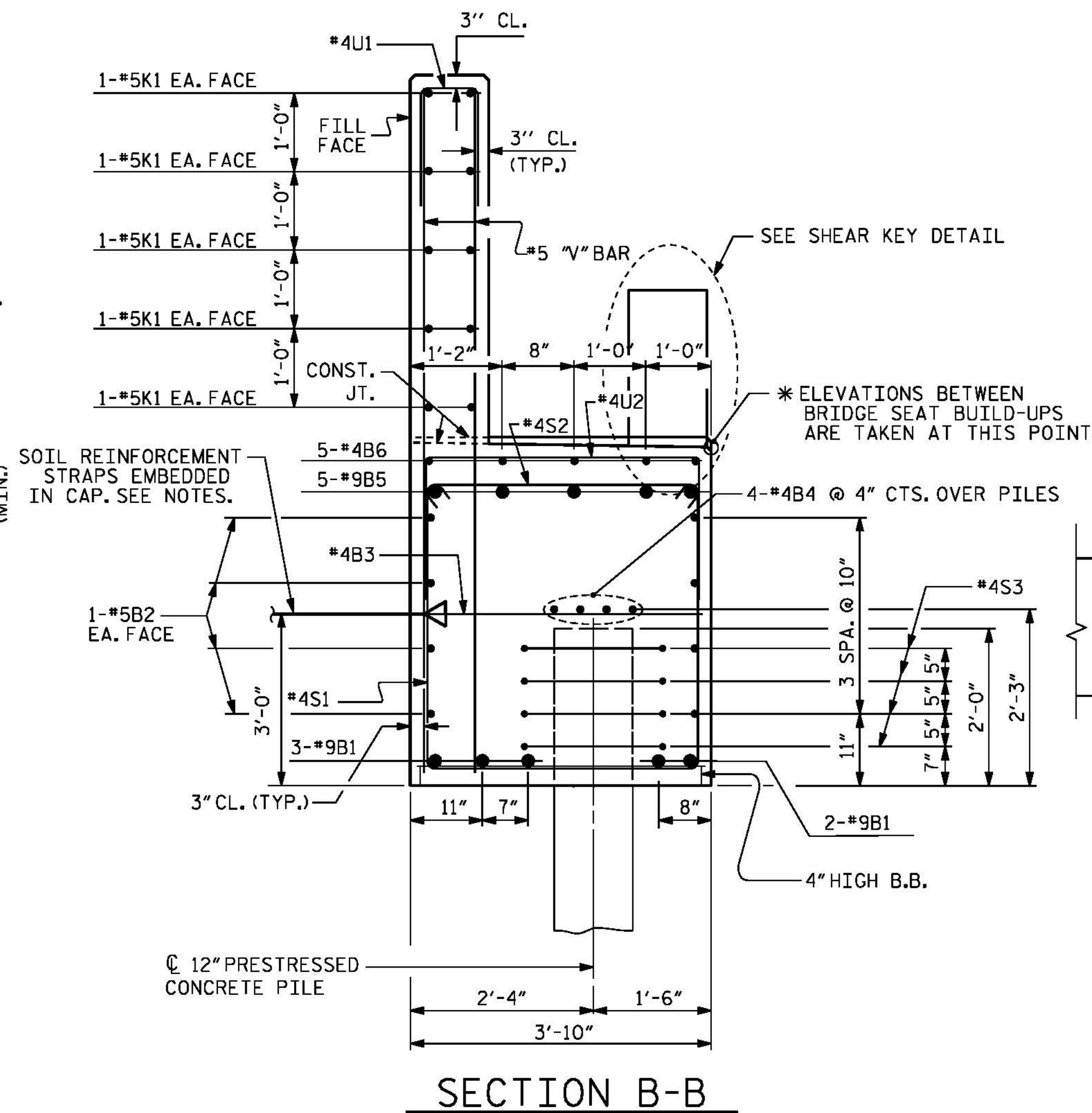
12" PRESTR. CONCRETE PILES 13 REQUIRED LIN. FT. 650

PILE REDRIVES EA. 7

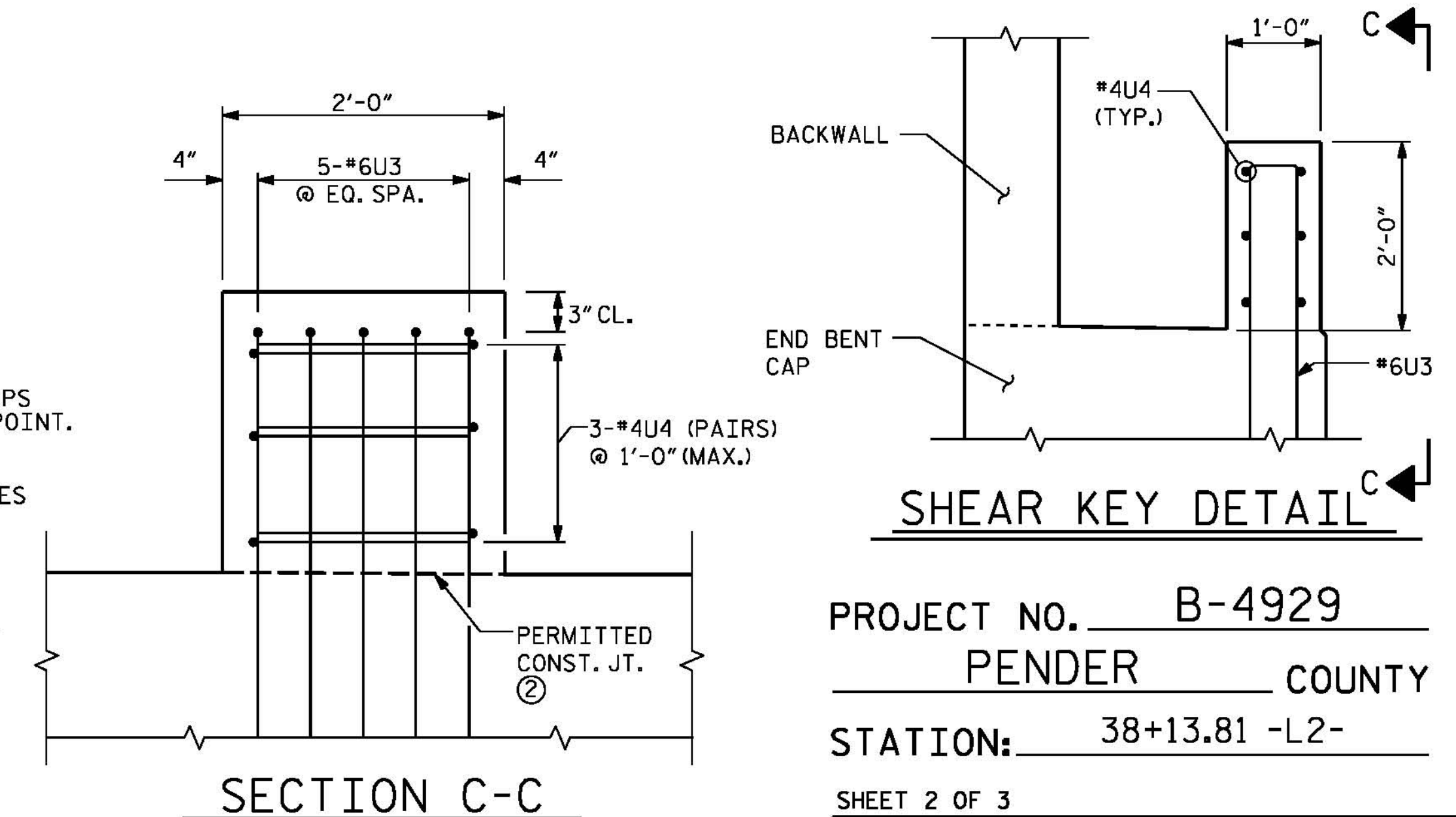
① DOES NOT INCLUDE CONCRETE POSTS



SECTION A-A



SECTION B-B



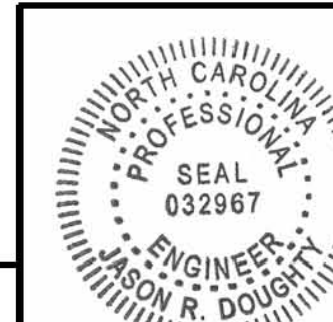
SECTION C-C

SHEAR KEY DETAIL

PROJECT NO. B-4929
PENDER COUNTY
STATION: 38+13.81 -L2-

SHEET 2 OF 3

STATE OF NORTH CAROLINA
DEPARTMENT OF TRANSPORTATION
RALEIGH
SUBSTRUCTURE
END BENT 2
SECTIONS AND DETAILS



DocuSigned by:
Jason R Doughty
00F1C8B448274F7...

REVISIONS						SHEET NO.
NO.	BY:	DATE:	NO.	BY:	DATE:	S-203
1			3			TOTAL SHEETS 278
2			4			

PARSONS BRINCKERHOFF
434 FAYETTEVILLE STREET
SUITE 1500
RALEIGH, NC 27601
LICENSE NO. F-0165

DOCUMENT NOT CONSIDERED FINAL
UNLESS ALL SIGNATURES COMPLETED

5/11/2016 400_399_B4929_SMU_EB22.dgn

DESIGNED BY: M. WAGNER DATE: DEC. 2015
DRAWN BY: B. CALDWELL DATE: DEC. 2015
CHECKED BY: J. SHERMAN DATE: MAR. 2016
DESIGN ENGINEER OF RECORD: J. DOUGHTY DATE: MAY 2016