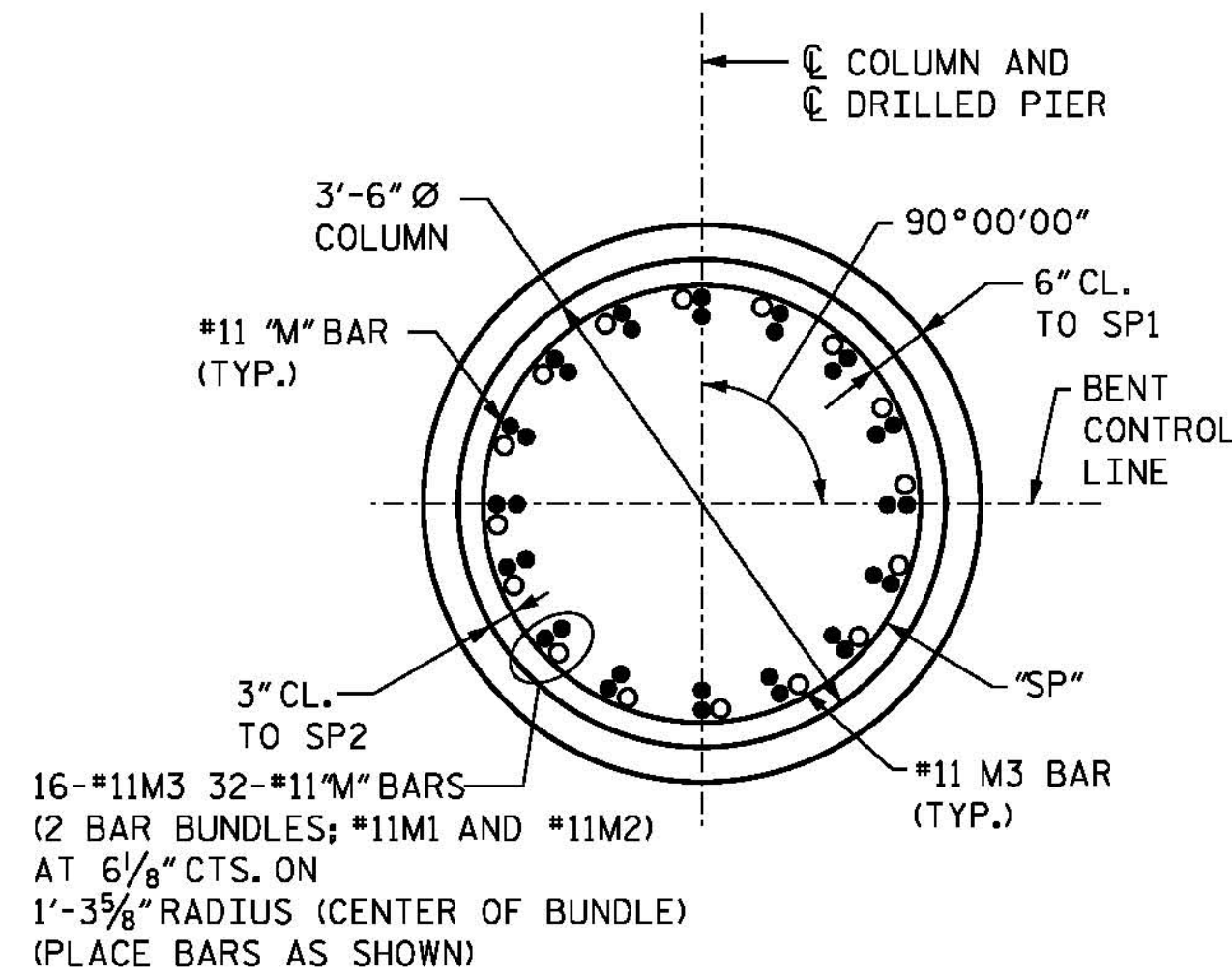
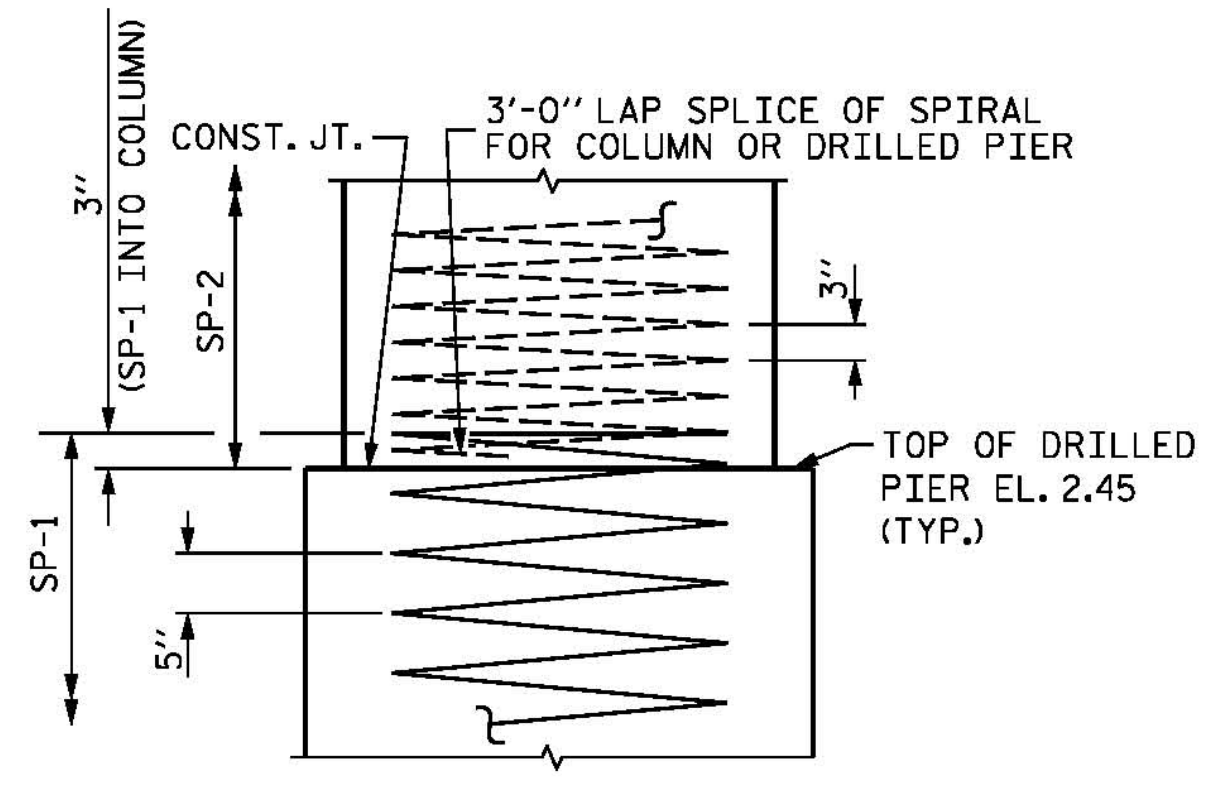


SECTION A-A

SECTION B-B

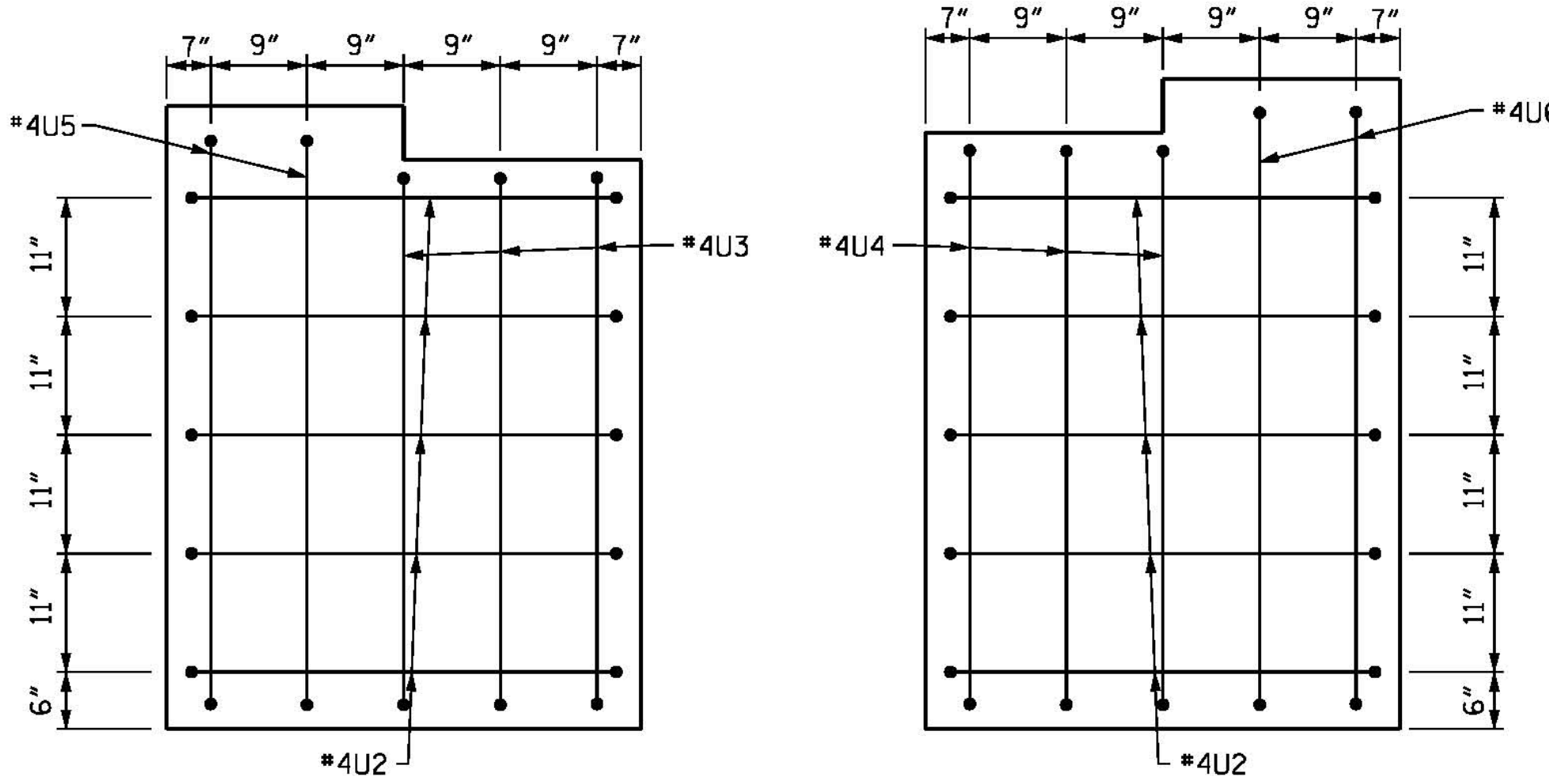


COLUMN AND DRILLED PIER DETAIL



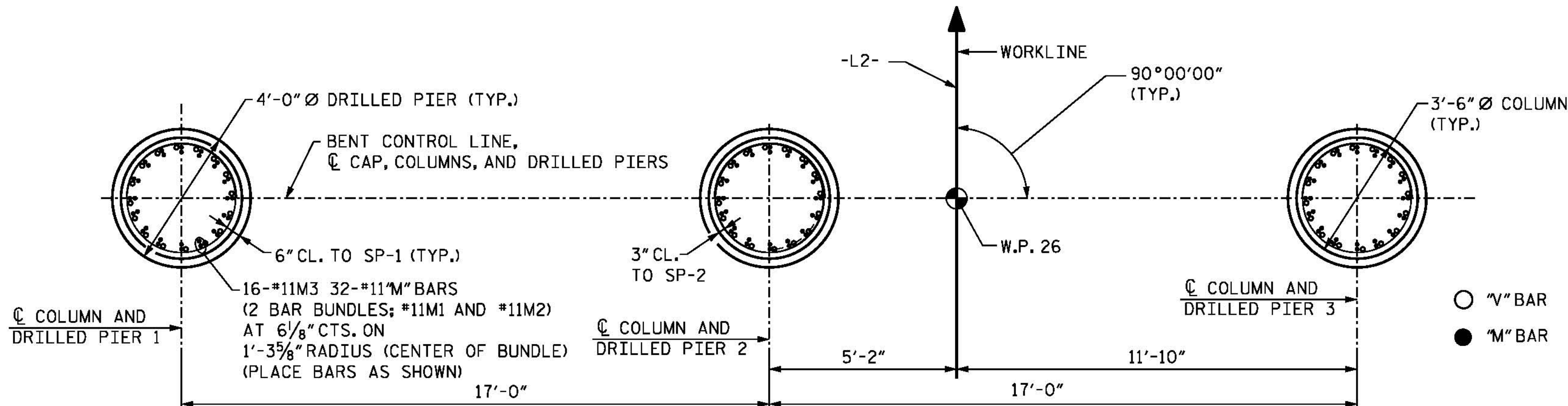
CONSTRUCTION JOINT DETAIL

*M BARS NOT SHOWN FOR CLARITY



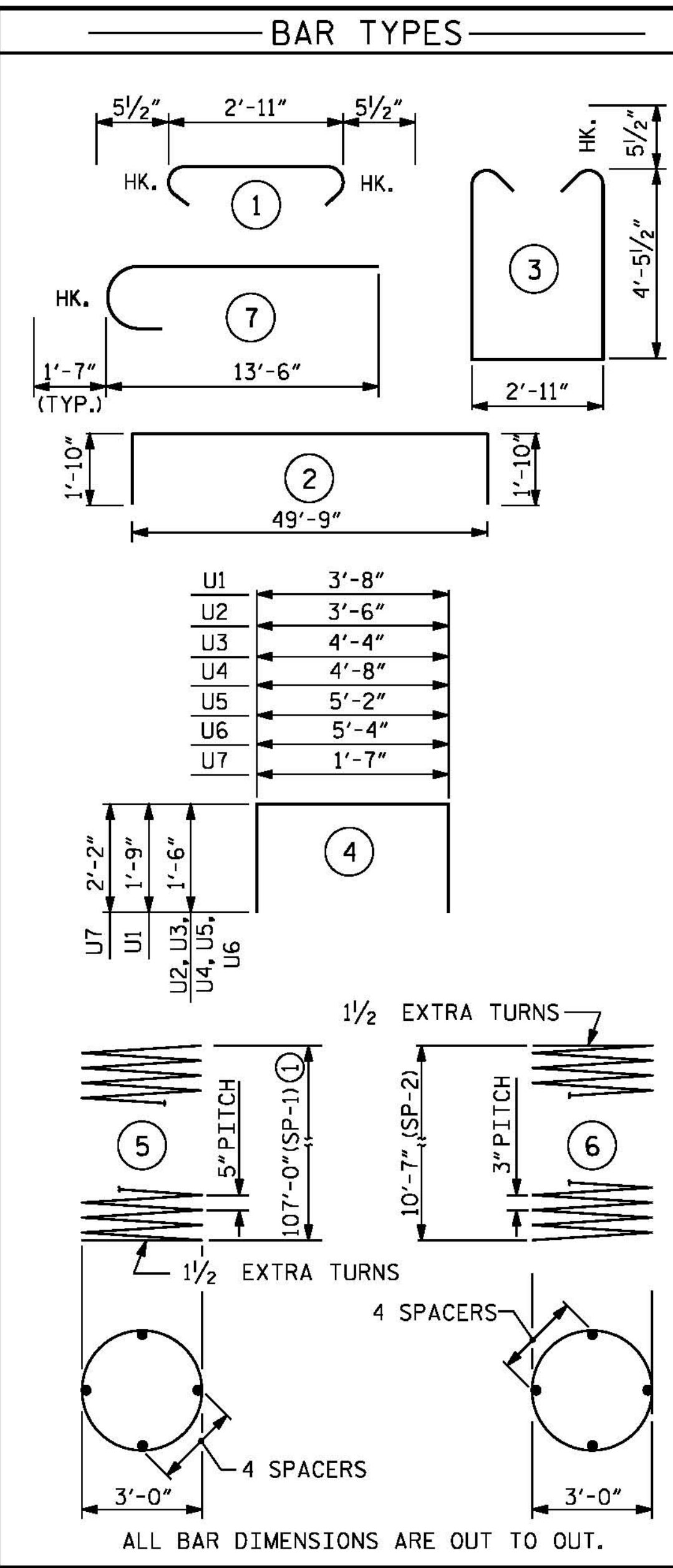
VIEW X-X

VIEW Y-Y



PLAN OF COLUMNS AND DRILLED PIERS

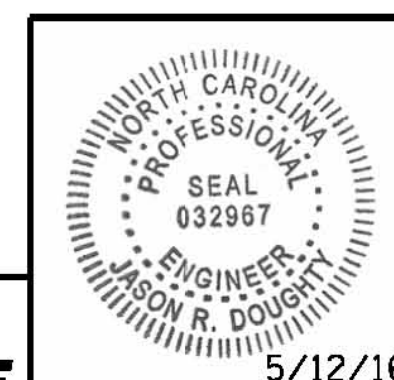
(REINFORCING STEEL ARE TYPICAL FOR EACH COLUMN AND DRILLED PIER)



BILL OF MATERIAL					
BENT 25					
BAR	NUMBER	SIZE	TYPE	LENGTH	WEIGHT
B1	8	#10		53'-5"	1839
B2	10	#5	STR	49'-6"	516
B3	16	#10	STR	49'-6"	3408
B4	16	#4	STR	9'-0"	96
B5	16	#4	STR	19'-7"	209
B6	16	#4	STR	17'-3"	184
B7	13	#4	STR	3'-8"	32
M1	192	#11	STR	60'-0"	61,206
M2	96	#11	STR	30'-0"	15,301
M3	48	#11	STR	15'-1"	3847
S1	164	#5		12'-9"	2181
S2	164	#5		3'-10"	656
U1	66	#4		7'-2"	316
U2	10	#4		6'-6"	43
U3	3	#4		7'-4"	15
U4	3	#4		7'-8"	15
U5	2	#4		8'-2"	11
U6	2	#4		8'-4"	11
U7	70	#4		5'-11"	277
EPOXY COATED REINFORCING STEEL				LBS.	90,163
SP1	3	*	5	2401'-1"	7513
SP2	3	**	6	418'-4"	838
EPOXY COATED SPIRAL COLUMN REINFORCING STEEL				LBS.	8351
CLASS "AA" CONCRETE BREAKDOWN					
POUR #2 - COLUMNS				11.0 C.Y.	
POUR #3 - CAP				43.7 C.Y.	
CLASS "AA" CONCRETE				54.7 C.Y.	
DRILLED PIER QUANTITIES					
POUR #1 - DRILLED PIER CONCRETE				150.0 C.Y.	
4'-0" Ø DRILLED PIERS				322.4 L.F.	
PERMANENT STEEL CASING FOR 4'-0" Ø DRILLED PIERS				52.4 L.F.	
SPT TESTING				3 EA.	
SID INSPECTIONS				1 EA.	
CSL TUBES				1308 L.F.	

** THE SP-2 EPOXY COATED SPIRAL REINFORCING STEEL SHALL BE W20 OR D-20 COLD DRAWN WIRE OR #4 PLAIN OR DEFORMED BAR.
 * THE SP-1 EPOXY COATED SPIRAL REINFORCING STEEL SHALL BE W31 OR D-31 COLD DRAWN WIRE OR #5 PLAIN OR DEFORMED BAR.
 (C) CONTRACTOR MAY PROVIDE 3'-0" MIN SPLICE AT MID HEIGHT OF EPOXY COATED SPIRAL REINFORCING STEEL. NO ADDITIONAL PAYMENT WILL BE PROVIDED FOR SPLICES.

PROJECT NO. B-4929
PENDER COUNTY
 STATION: 38+13.81 -L2-
 SHEET 2 OF 2



PARSONS BRINCKERHOFF
 434 FAYETTEVILLE STREET
 SUITE 1500
 RALEIGH, NC 27601
 LICENSE NO. F-0165

DocuSigned by:
 Jason R. Doughty
 00F1C86448274F7...

STATE OF NORTH CAROLINA
 DEPARTMENT OF TRANSPORTATION
 RALEIGH
 SUBSTRUCTURE
 BENT 25
 SECTIONS AND DETAILS

REVISIONS					
NO.	BY:	DATE:	NO.	BY:	DATE:
1			3		
2			4		

SHEET NO.
S-195
 TOTAL SHEETS
 278

DOCUMENT NOT CONSIDERED FINAL UNLESS ALL SIGNATURES COMPLETED

5/11/2016 400_383_B4929_SMU_IB252.dgn

DESIGNED BY: M. WAGNER DATE: JAN. 2016
 DRAWN BY: B. CALDWELL DATE: FEB. 2016
 CHECKED BY: J. SHERMAN DATE: MAR. 2016
 DESIGN ENGINEER OF RECORD: J. DOUGHTY DATE: MAY 2016