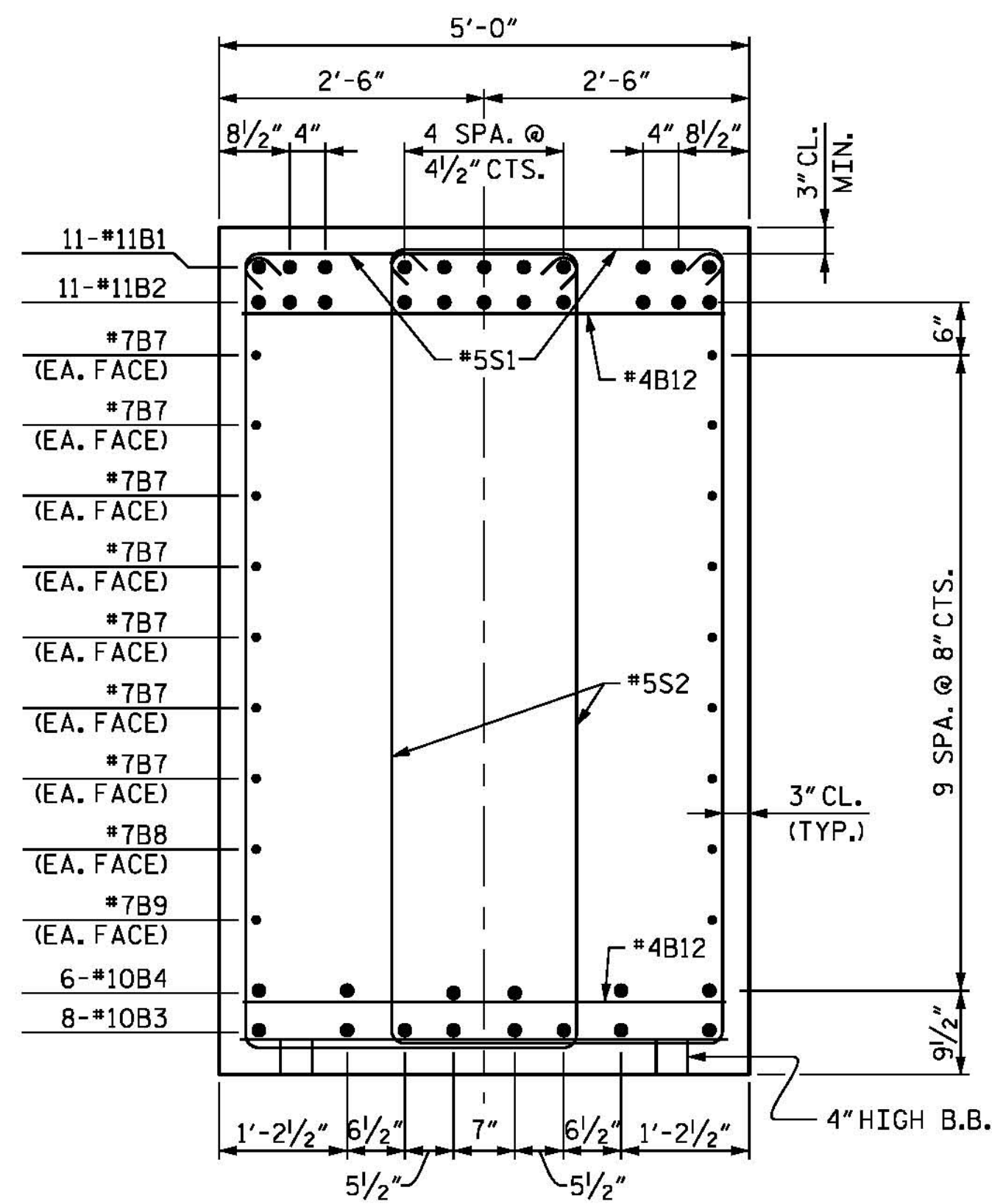
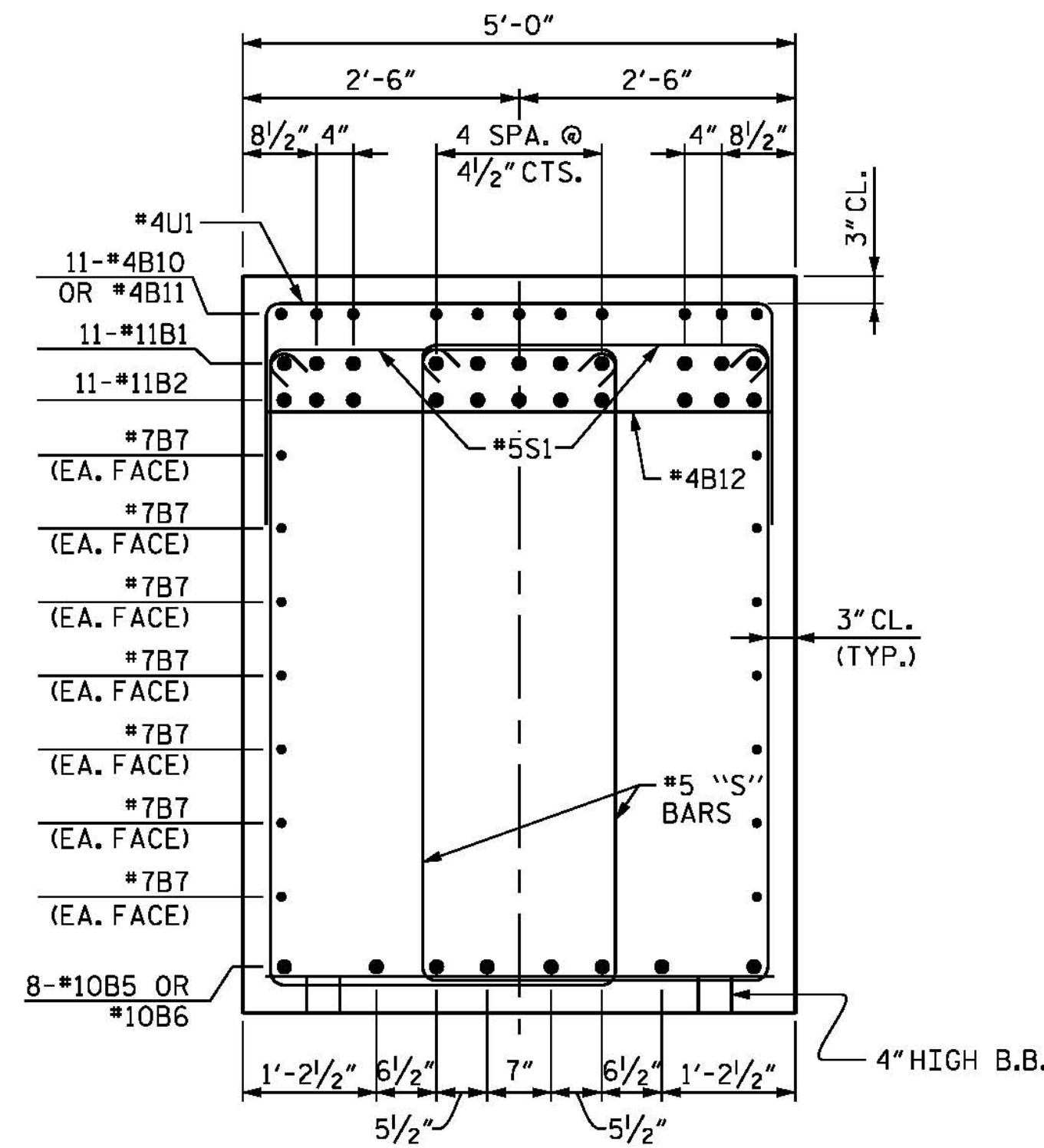


NOTES

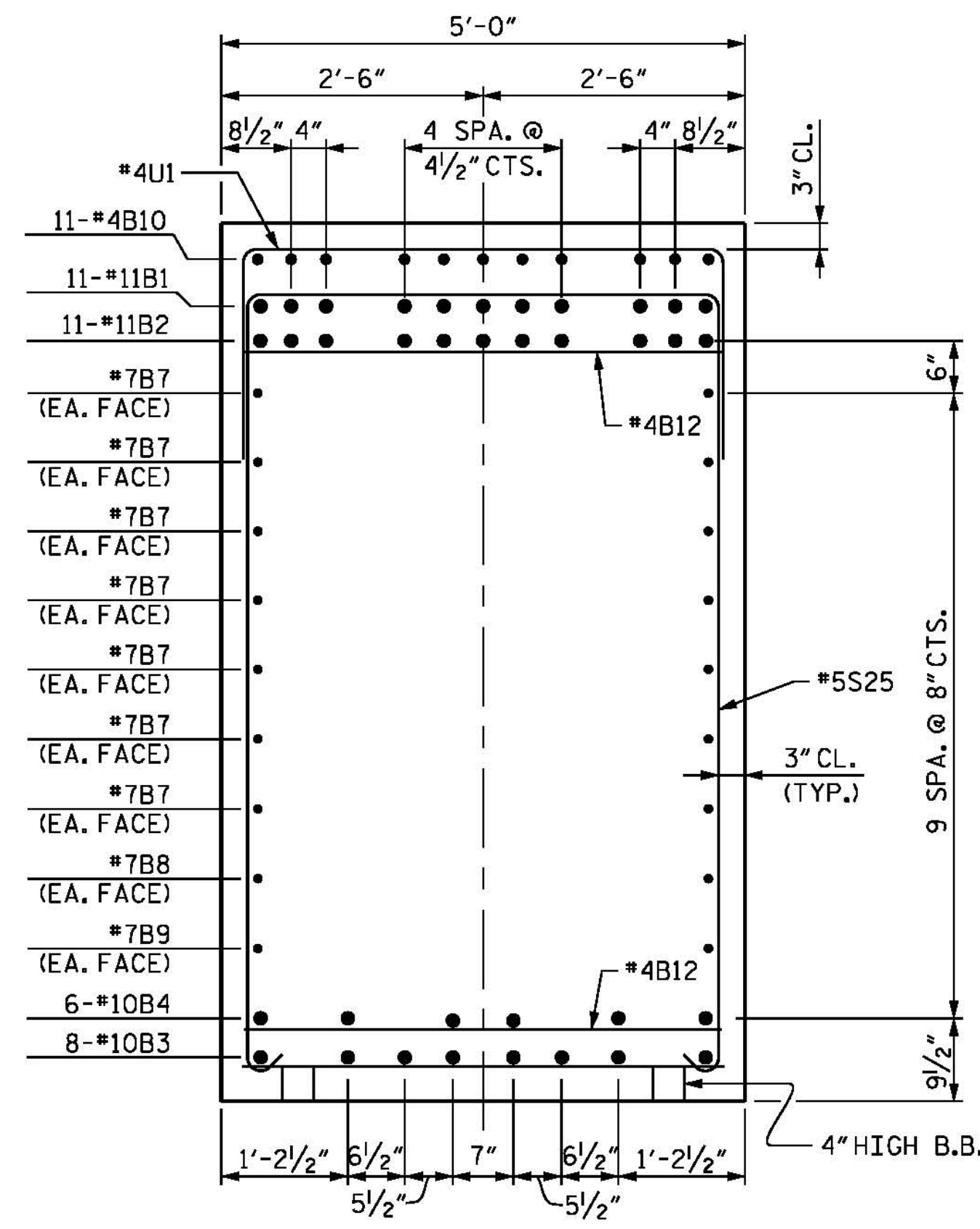
FOR NOTES, SEE SHEET 1 OF 5.



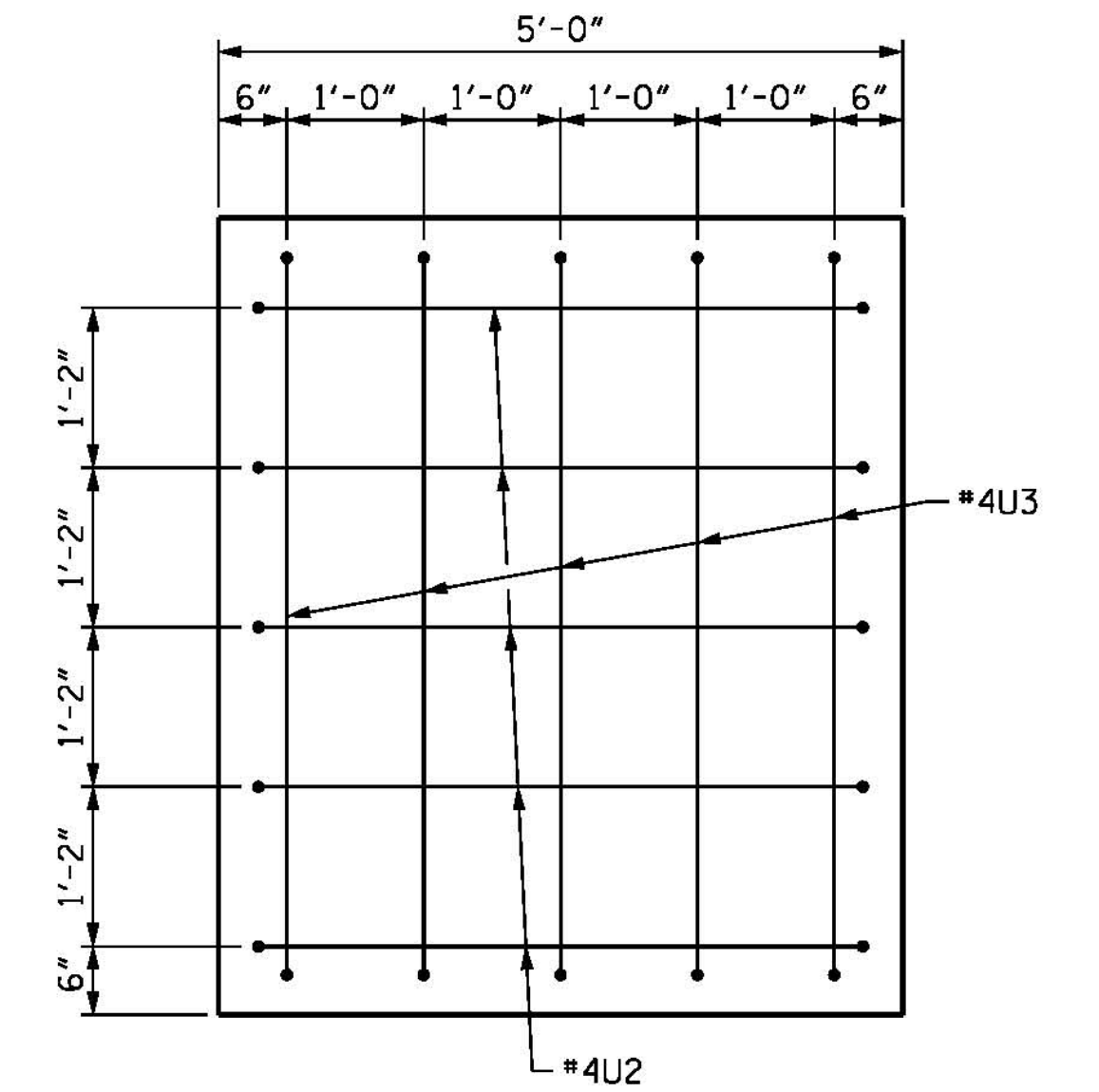
SECTION A-A



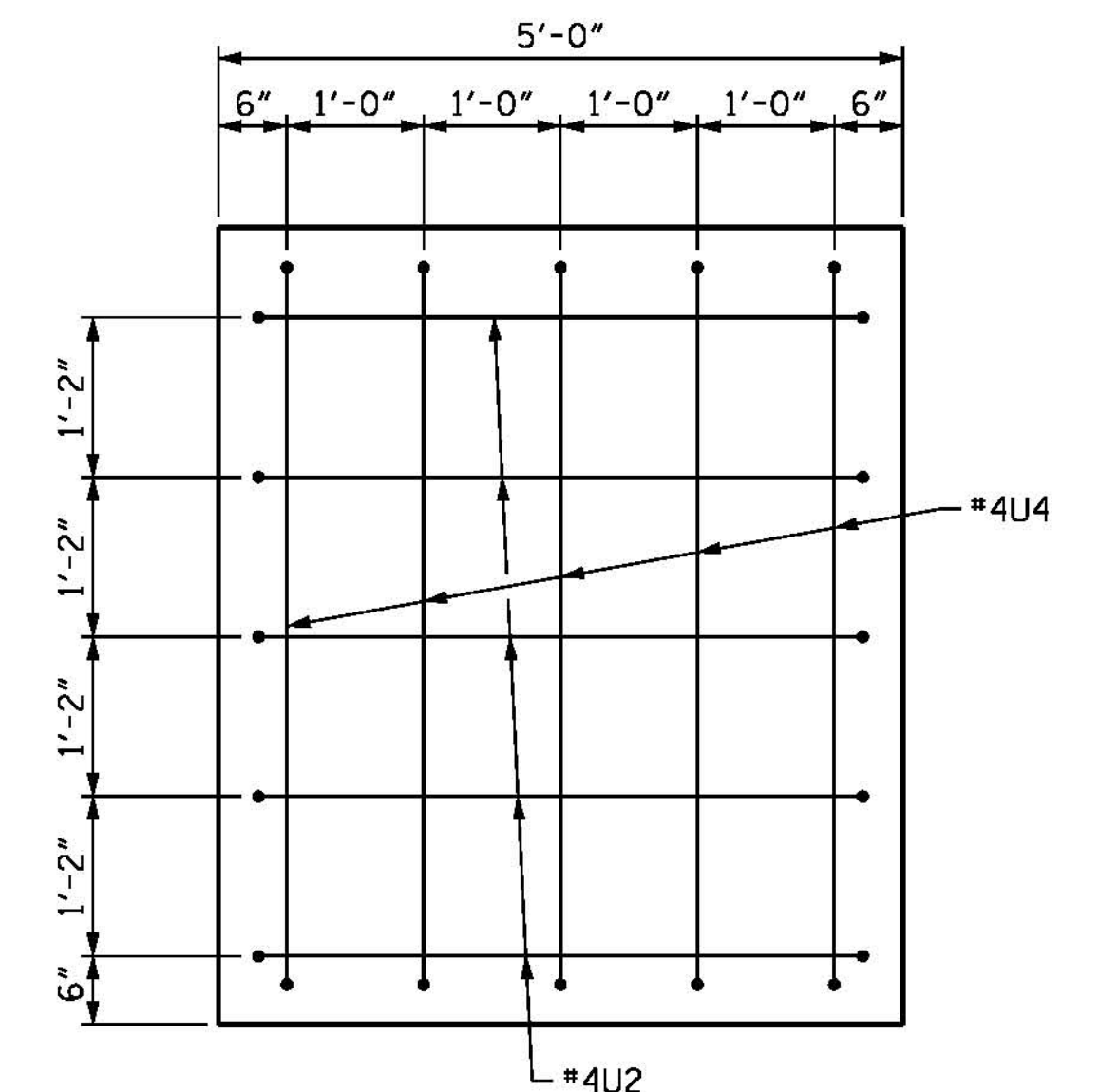
SECTION B-B



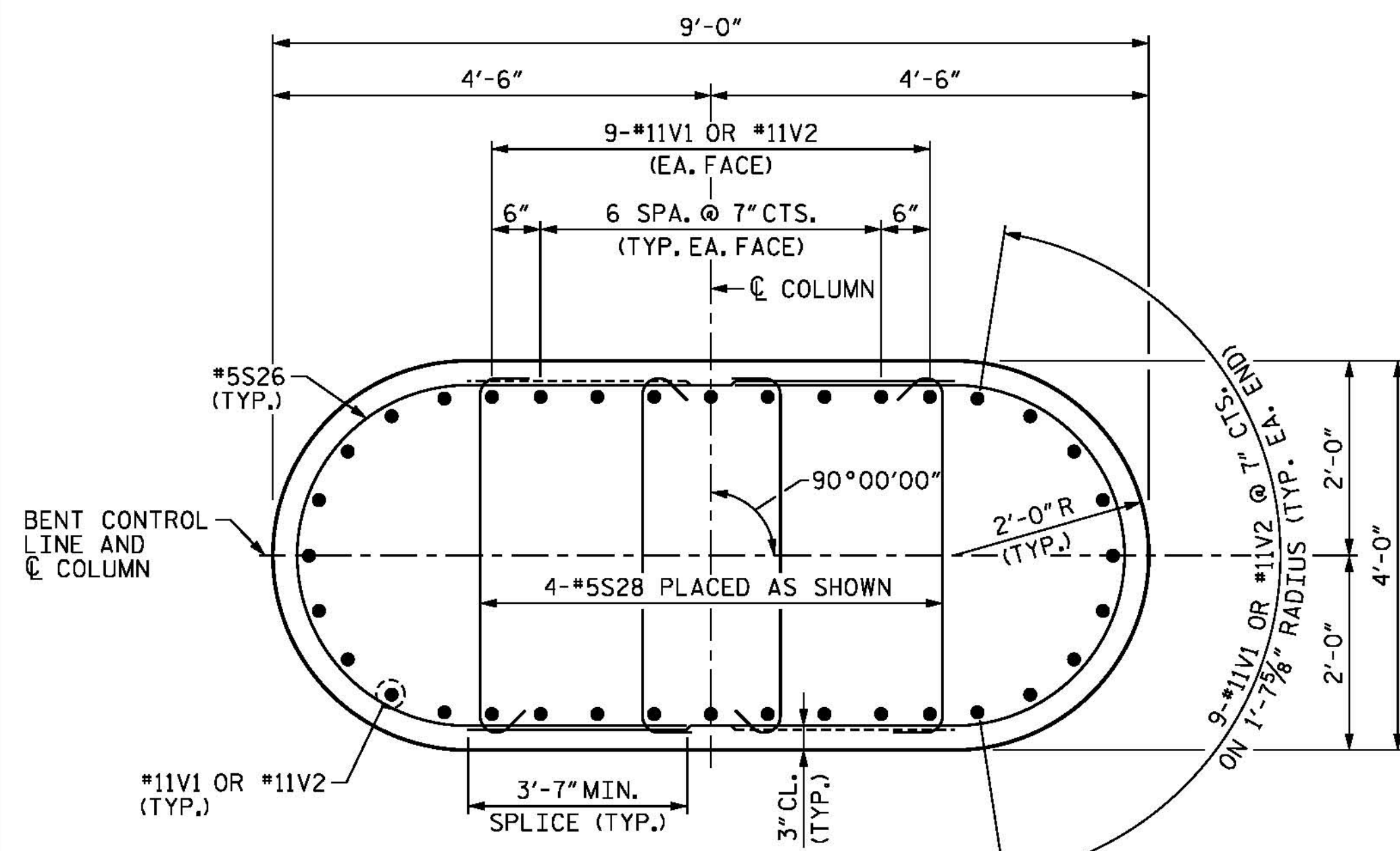
SECTION C-C



VIEW X-X

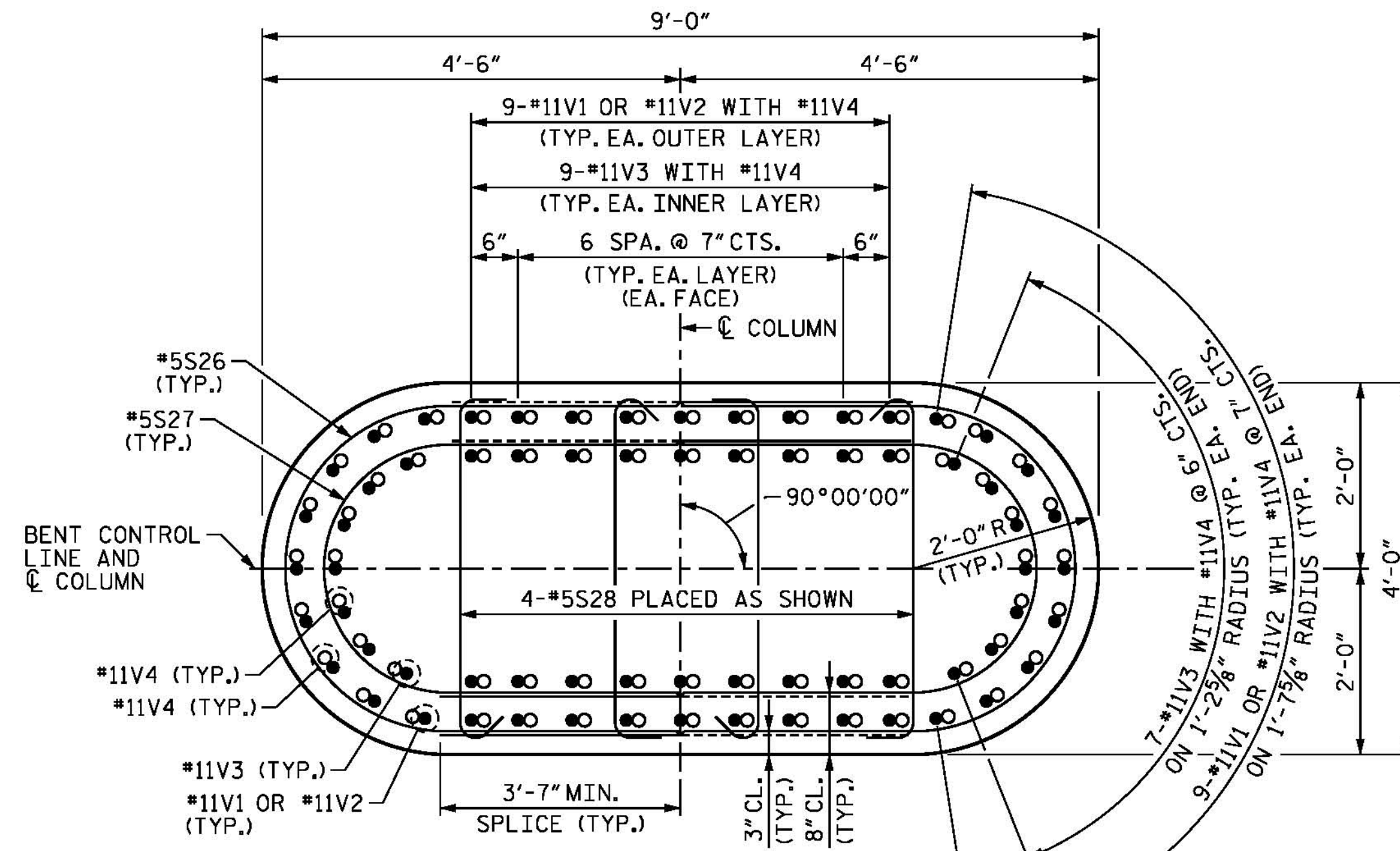


VIEW Y-Y



SECTION D-D

WHEN PLACING #5S28 BARS, ALTERNATE THE POSITION OF THE 135° HOOK HORIZONTALLY AND VERTICALLY.
ALTERNATE DIRECTION OF #5S26 TO STAGGER LAPS.



SECTION E-E

WHEN PLACING #5S28 BARS, ALTERNATE THE POSITION OF THE 135° HOOK HORIZONTALLY AND VERTICALLY.
ALTERNATE DIRECTION OF #5S26 AND #5S27 TO STAGGER LAPS.

PROJECT NO. B-4929
PENDER COUNTY
STATION: 38+13.81 -L2-

SHEET 2 OF 5

STATE OF NORTH CAROLINA
DEPARTMENT OF TRANSPORTATION
RALEIGH
SUBSTRUCTURE
BENTS 14 AND 15
SECTIONS AND DETAILS



PARSONS BRINCKERHOFF
434 FAYETTEVILLE STREET
SUITE 1500
RALEIGH, NC 27601
LICENSE NO. F-0165

DocuSigned by:
Jason R. Doughty
00F1C8B448274F7...

REVISIONS				SHEET NO.	
NO.	BY:	DATE:	NO.	BY:	DATE:
1			3		
2			4		

TOTAL SHEETS
278

DESIGNED BY:	E. ULLMER	DATE:	FEB 2016
DRAWN BY:	M. HOBBS	DATE:	MAR 2016
CHECKED BY:	B. LOFLIN	DATE:	MAR 2016
DESIGN ENGINEER OF RECORD:	J. DOUGHTY	DATE:	MAY 2016

5/10/2016
400_345_B4929_SMU_IB14.2.dgn

**DOCUMENT NOT CONSIDERED FINAL
UNLESS ALL SIGNATURES COMPLETED**