

NOTES:

FOR SECTIONS A-A, B-B AND SHEAR KEY DETAIL SEE SHEET 2 OF 3.

STIRRUPS IN CAP MAY BE SHIFTED AS NECESSARY TO CLEAR ANCHOR BOLTS.

BACKWALL SHALL BE PLACED BEFORE APPLYING THE EPOXY PROTECTIVE COATING.

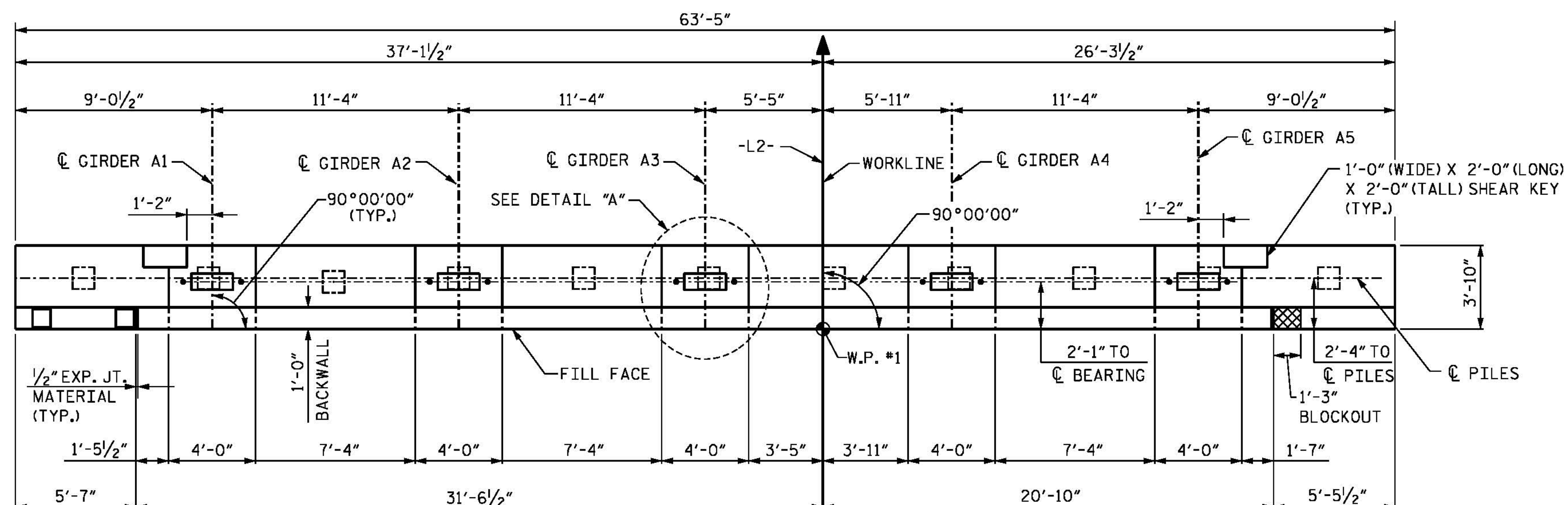
THE TOP SURFACE AREAS OF THE END BENT CAP, EXCEPT THE BRIDGE SEAT BUILDUPS, SHALL BE SLOPED TRANSVERSELY FROM THE FILL FACE AT THE RATE OF 2%.

THE #5 "V" BARS SHALL BE PLACED WITH 2" CLEAR SPACING FROM TOP OF BACKWALL

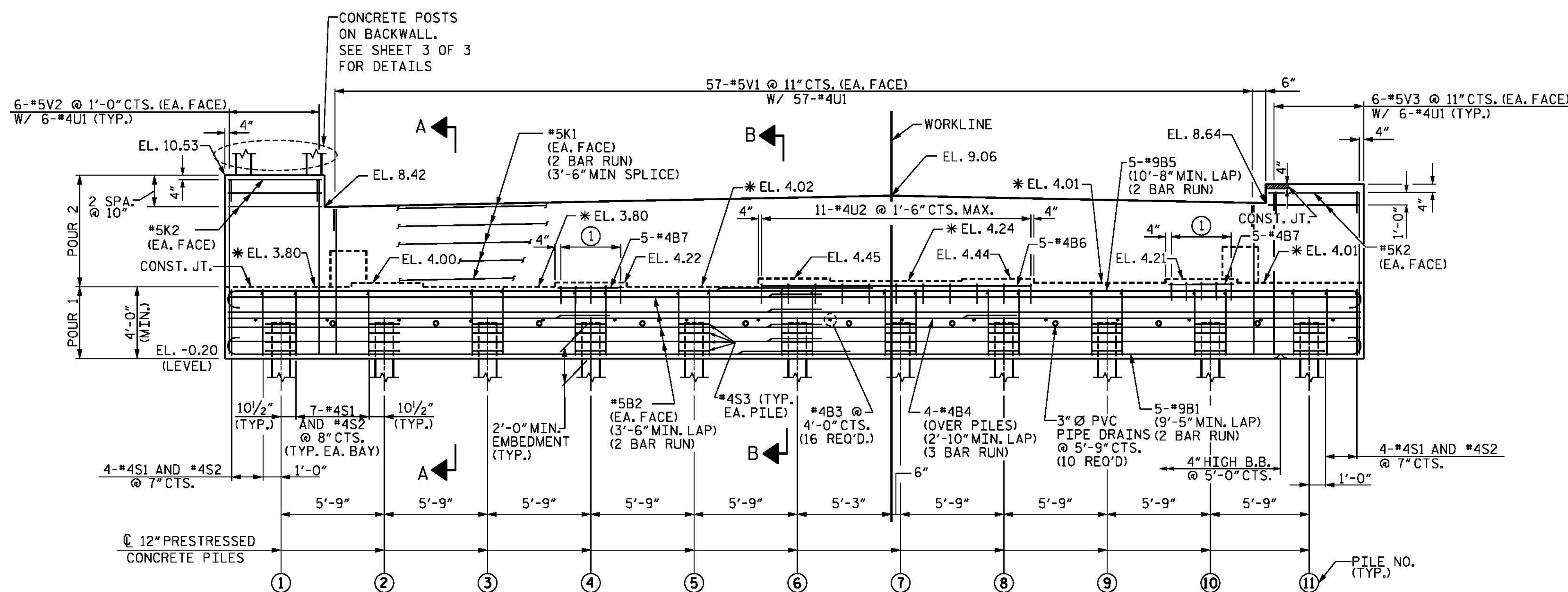
THE CONCRETE IN THE SHADED AREA OF THE BACKWALL SHALL BE POURED AFTER THE PARAPET IS CAST IF SLIP FORMING IS USED.

THE TOP SURFACE AREAS OF THE END BENT CAP SHALL BE CURED IN ACCORDANCE WITH THE STANDARD SPECIFICATIONS EXCEPT THAT THE MEMBRANE CURING METHOD SHALL NOT BE USED.

FOR PIPE DRAIN DETAILS, SEE SHEET 2 OF 3.



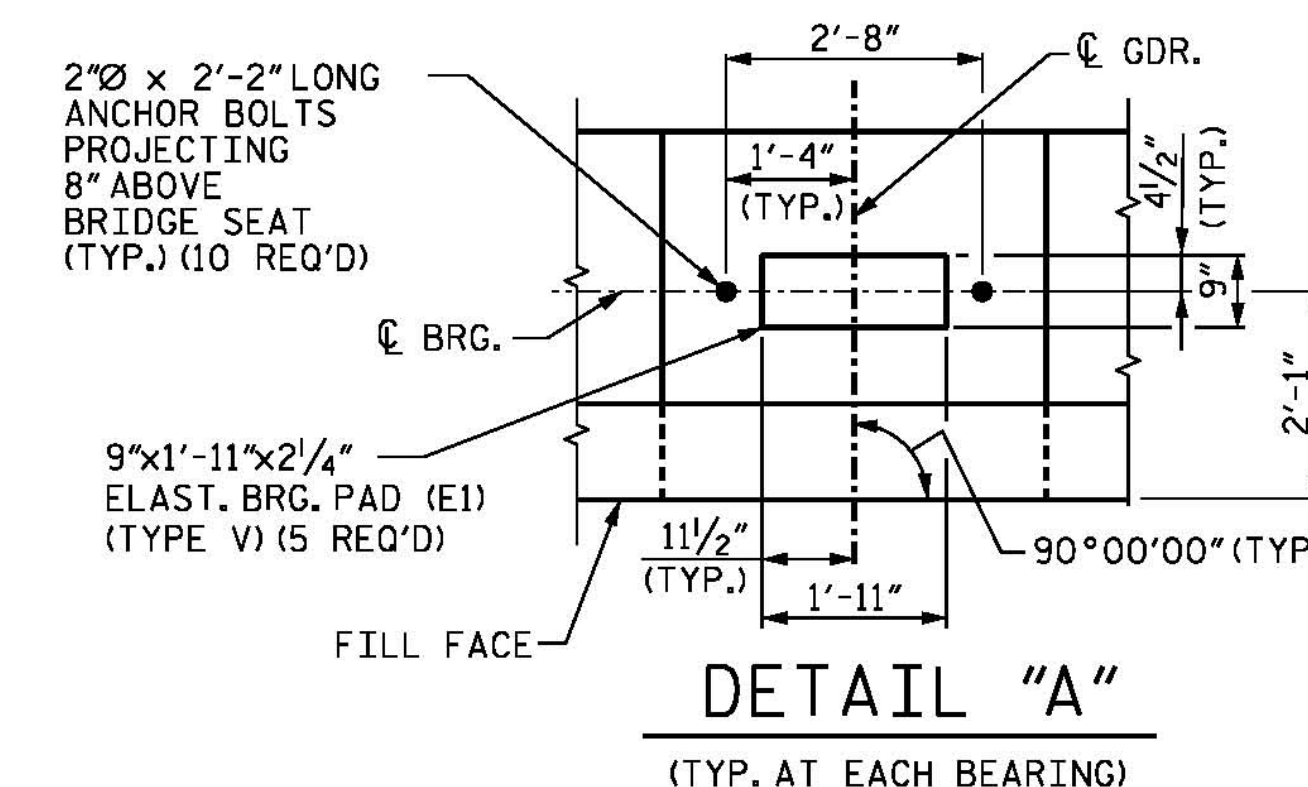
PLAN



ELEVATION

* FOR LOCATION OF ELEVATIONS BETWEEN BRIDGE SEAT BUILDUPS, SEE SECTION A-A AND B-B ON SHEET 2 OF 3. (REINFORCEMENT IN SHEAR KEY AND CONCRETE POSTS NOT SHOWN FOR CLARITY)

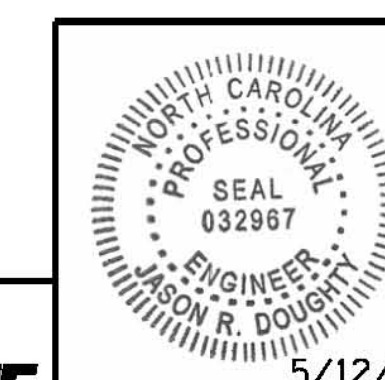
① 5-#4U2 @ 10" CTS. (TYP.)



DETAIL "A"
(TYP. AT EACH BEARING)

PROJECT NO. B-4929
PENDER COUNTY
 STATION: 38+13.81 -L2-

SHEET 1 OF 3



DocuSigned by:
 Jason R. Doughty
 00F1C86448274F7...

STATE OF NORTH CAROLINA
 DEPARTMENT OF TRANSPORTATION
 RALEIGH
 SUBSTRUCTURE
 END BENT 1
 PLAN AND ELEVATION

5/12/16

REVISIONS

NO.	BY:	DATE:	NO.	BY:	DATE:
1			3		
2			4		

SHEET NO.

S-149
 TOTAL SHEETS
 278

PARSONS BRINCKERHOFF
 434 FAYETTEVILLE STREET
 SUITE 1500
 RALEIGH, NC 27601
 LICENSE NO. F-0165

**DOCUMENT NOT CONSIDERED FINAL
 UNLESS ALL SIGNATURES COMPLETED**

5/10/2016 4:00:29 PM B4929_SMU_EBI.dgn

DESIGNED BY: M. WAGNER DATE: DEC. 2015
 DRAWN BY: B. CALDWELL DATE: DEC. 2015
 CHECKED BY: J. SHERMAN DATE: MAR. 2016
 DESIGN ENGINEER OF RECORD: J. DOUGHTY DATE: MAY 2016