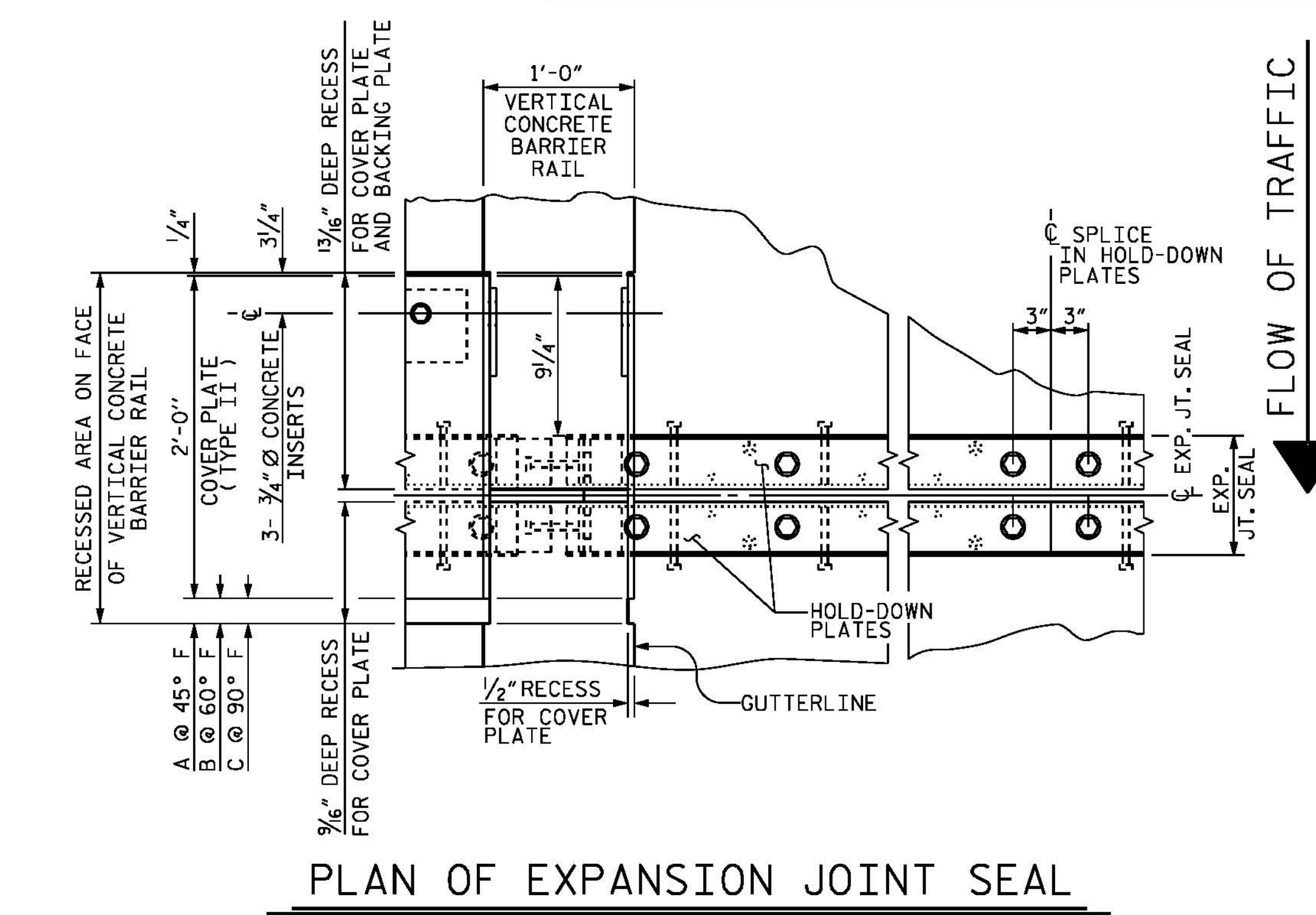
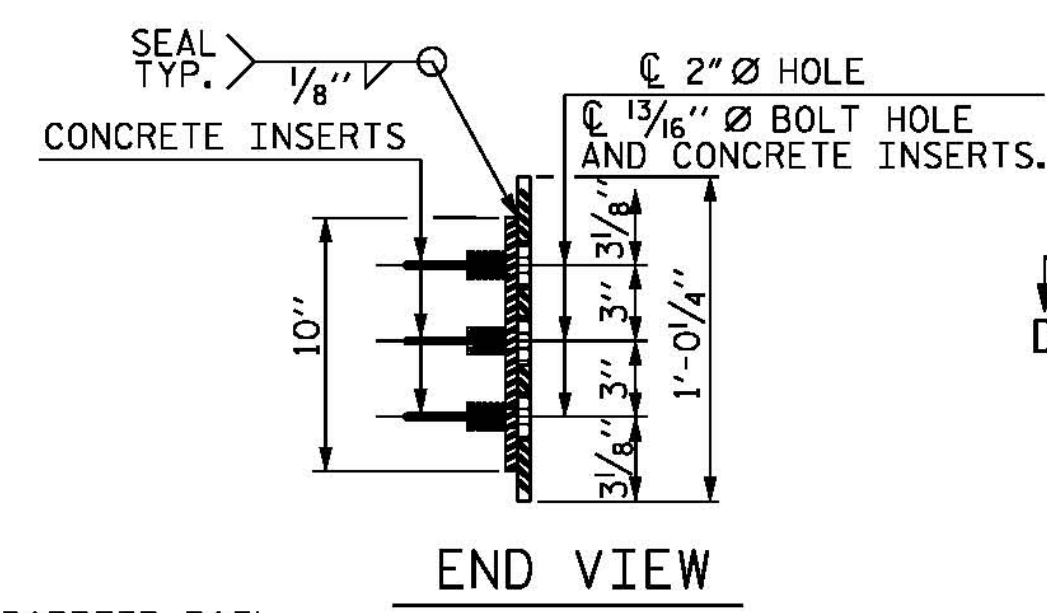


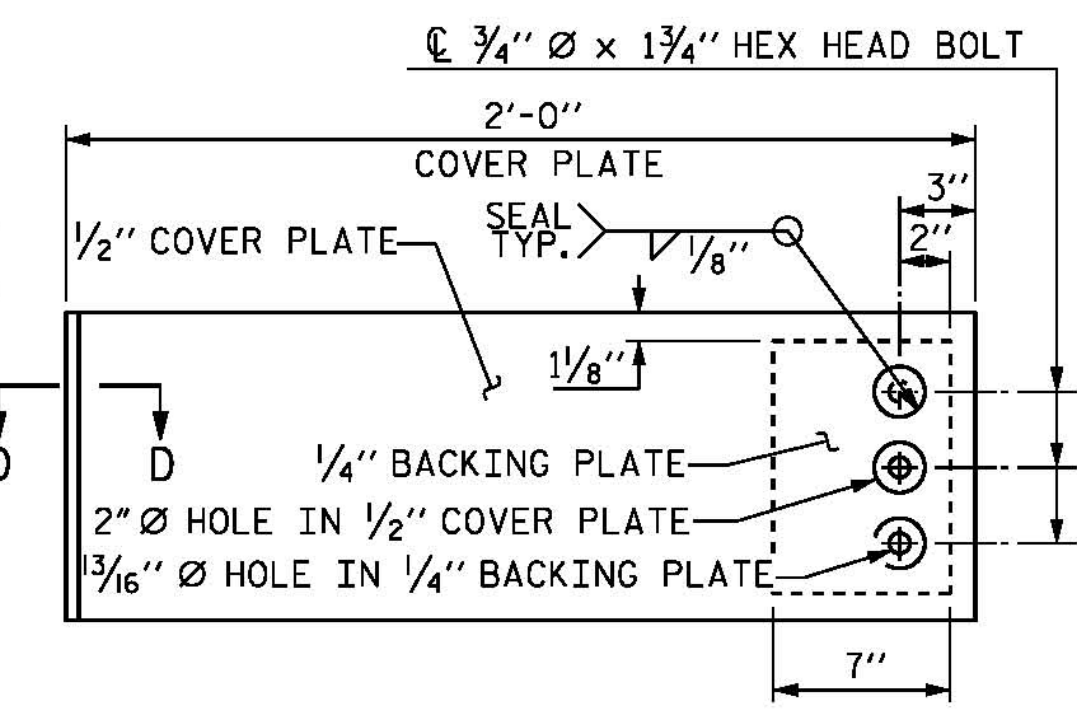
**SECTION THRU RAIL NORMAL TO JOINT**



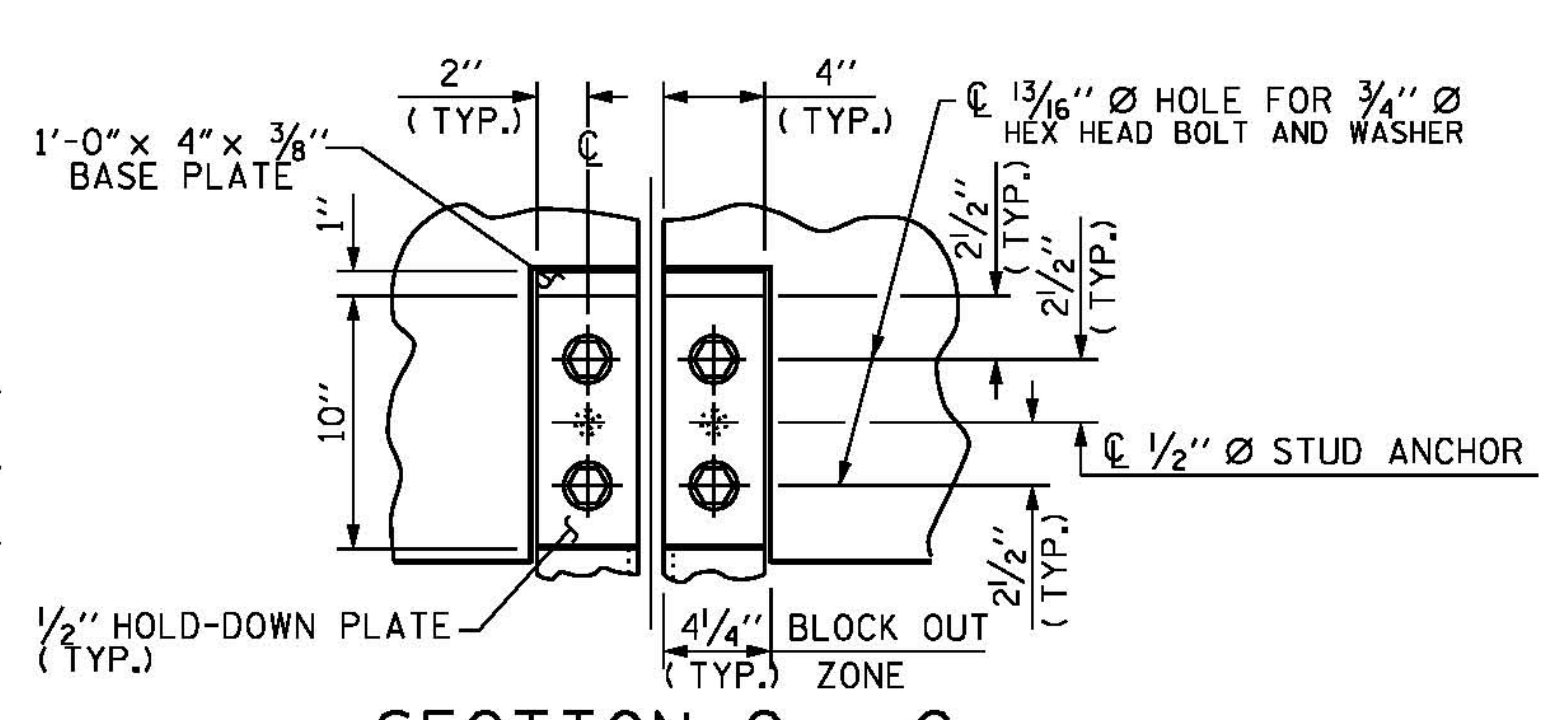
**PLAN OF EXPANSION JOINT SEAL**



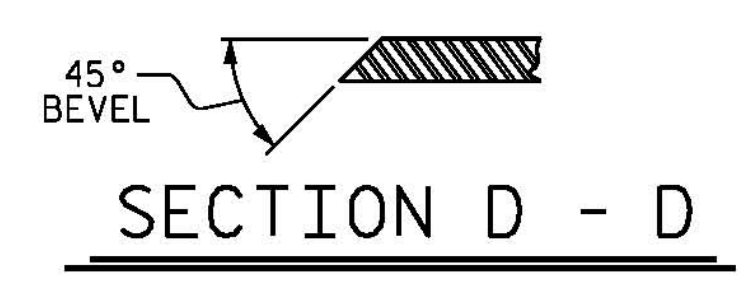
**END VIEW**



**TYPE II - ELEVATION VIEW COVER PLATE DETAILS**

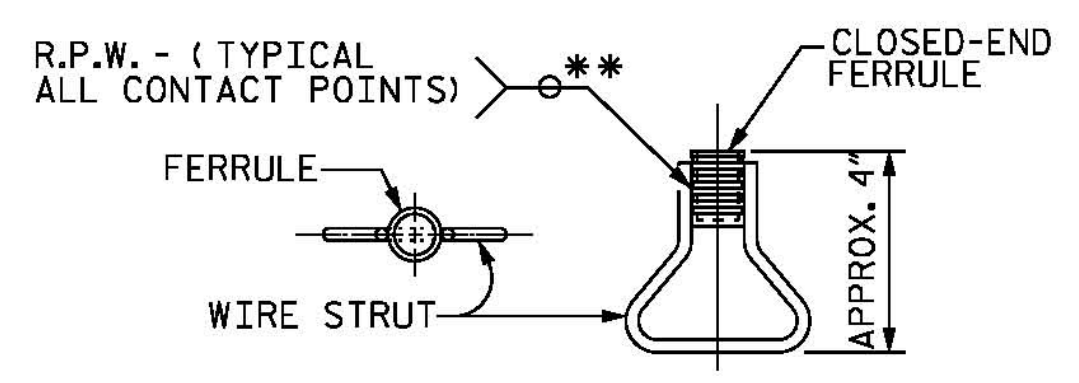


**SECTION C - C**



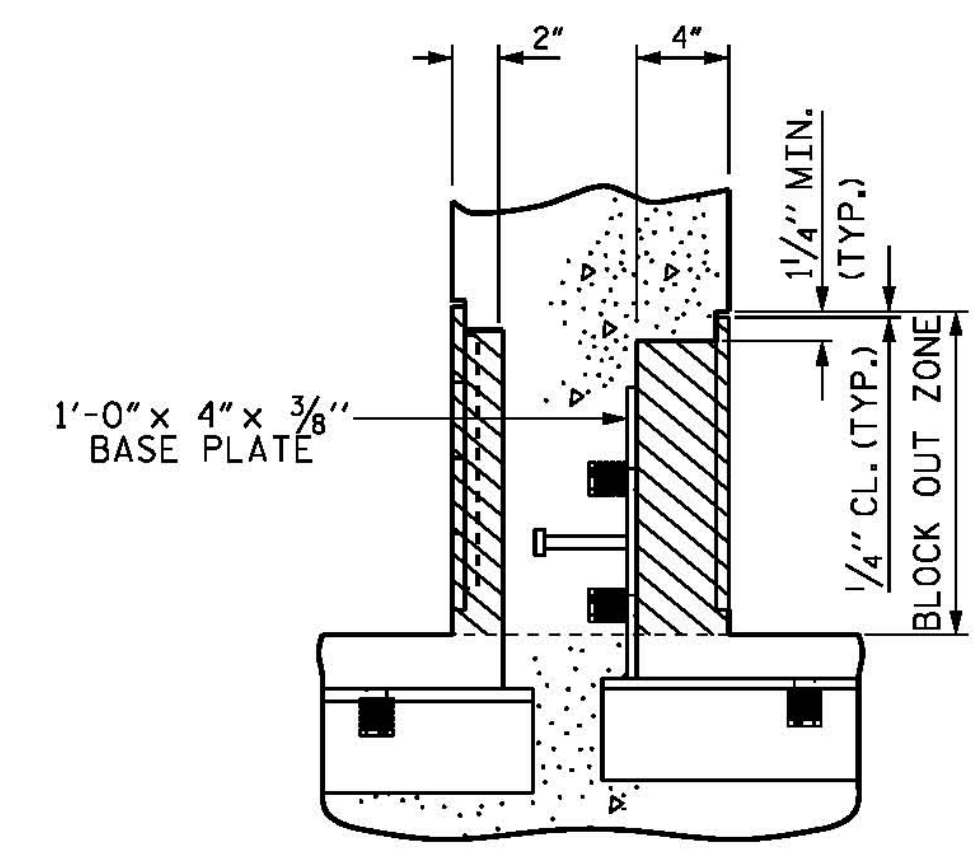
**SECTION D - D**

BENT NO.	(A)	(B)	(C)
EB1	1 5/8"	1 1/2"	1 3/16"
3	2 7/8"	1 3/4"	1"
6	2 7/16"	2"	1 1/16"
10	2 7/16"	2"	1 1/16"
13	2 1/2"	2"	1 1/16"
16	2 1/2"	2"	1"
19	2 1/2"	2"	1"
22	2 1/2"	2"	1 1/16"
25	2 3/16"	2"	1 3/16"
26	1 5/8"	1 1/2"	1 3/16"
EB2	1 5/8"	1 1/2"	1 3/16"



**PLAN ELEVATION CONCRETE INSERT**

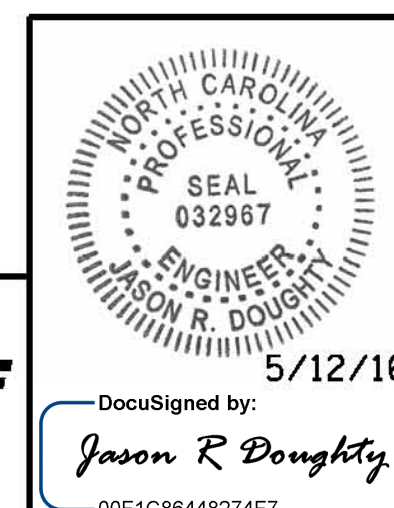
\*\* EACH WELDED ATTACHMENT OF WIRE TO FERRULE SHALL DEVELOP THE TENSILE STRENGTH OF THE WIRE.



**BLOCK OUT DETAIL**

SEE "SECTION C-C" FOR OTHER DETAILS.

PROJECT NO. B-4929  
PENDER COUNTY  
 STATION: 38+13.81 -L2-  
 SHEET 3 OF 4



**PARSONS BRINCKERHOFF**  
 434 FAYETTEVILLE STREET  
 SUITE 1500  
 RALEIGH, NC 27601  
 LICENSE NO. F-0165

DocuSigned by:  
 Jason R Doughty  
 00F1C86448274F7...

STATE OF NORTH CAROLINA  
 DEPARTMENT OF TRANSPORTATION  
 RALEIGH  
 SUPERSTRUCTURE  
 EXPANSION JOINT SEAL  
 DETAILS FOR  
 VERTICAL CONCRETE  
 BARRIER RAIL

NO.	BY:	DATE:	NO.	BY:	DATE:
1			3		
2			4		

SHEET NO.  
**S-135**  
 TOTAL SHEETS  
 278

DESIGNED BY: J. SMITH DATE: NOV 2015  
 DRAWN BY: K. WHITE DATE: NOV 2015  
 CHECKED BY: J. DOUGHTY DATE: FEB 2016  
 DESIGN ENGINEER OF RECORD: J. DOUGHTY DATE: MAY 2016

5/10/2016  
 400\_267\_B4929\_SMU\_EJS3.dgn

**DOCUMENT NOT CONSIDERED FINAL  
 UNLESS ALL SIGNATURES COMPLETED**