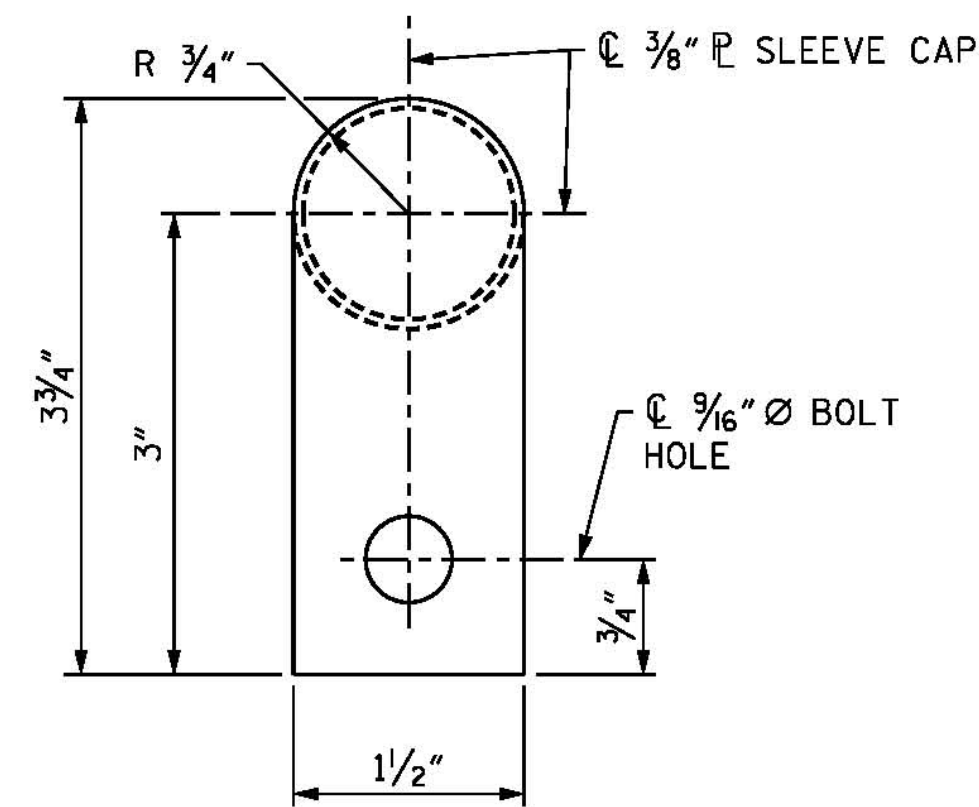


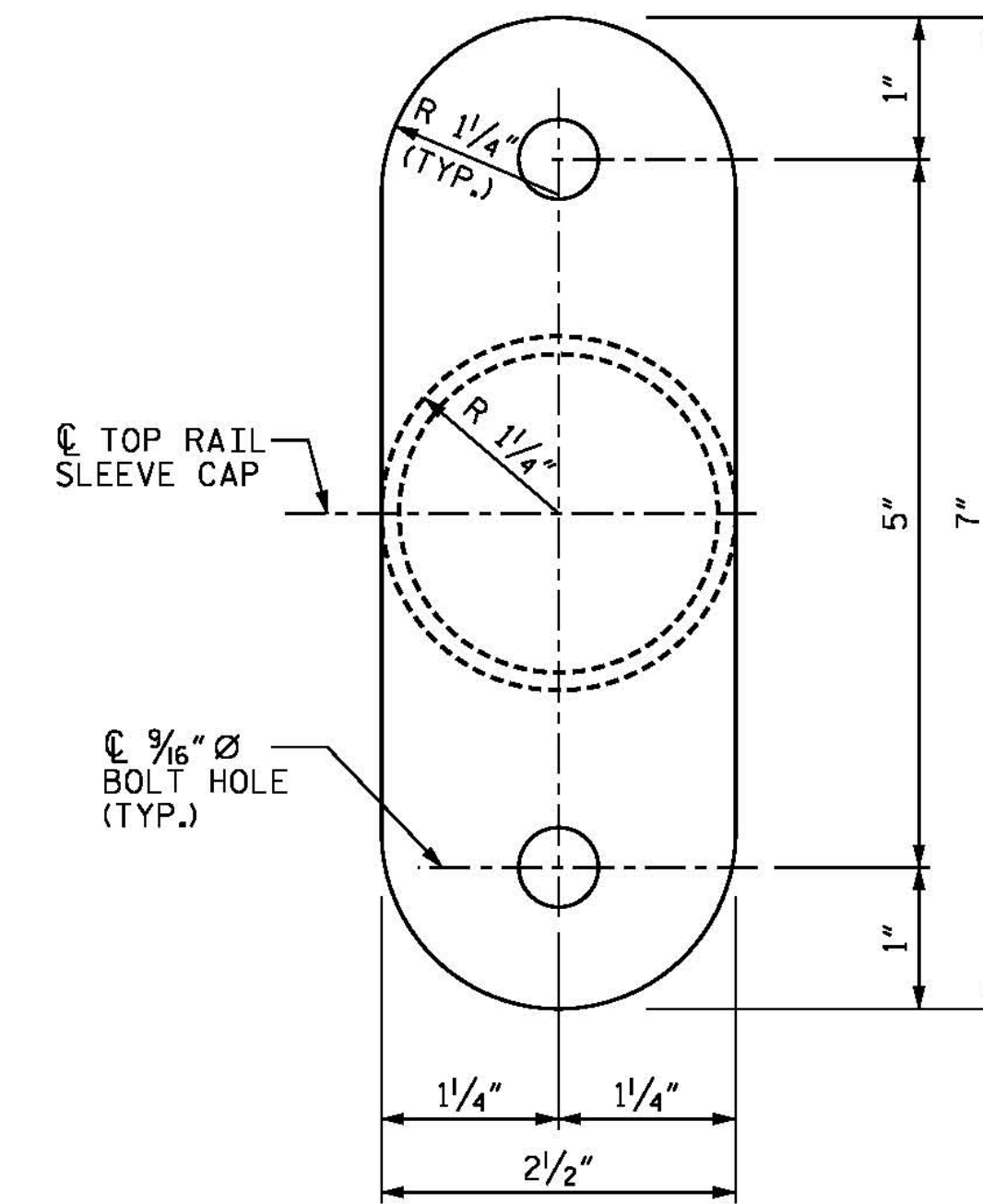
DETAIL E - SLIDING EXPANSION JOINT

BOTTOM RAIL SHOWN, TOP AND INTERMEDIATE RAILS SIMILAR.

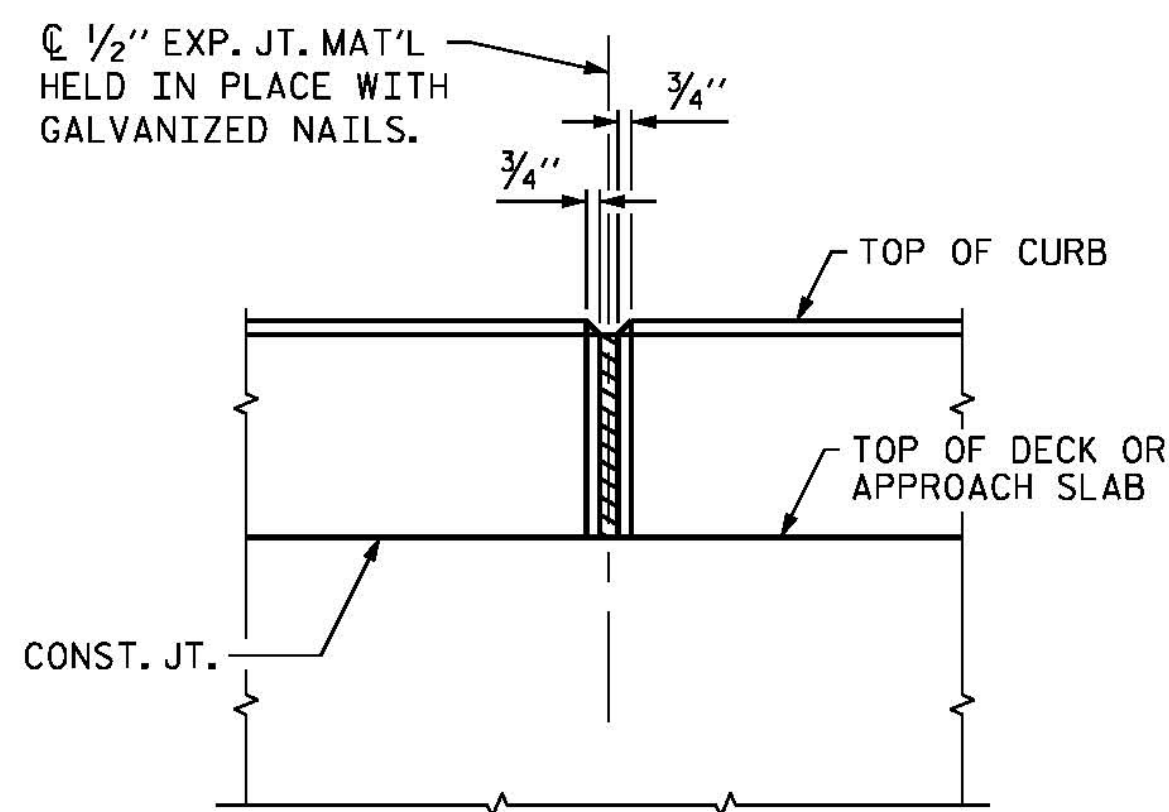
BACK-STATION SIDE OF CONCRETE POST SHOWN, AHEAD-STATION SIDE SIMILAR.



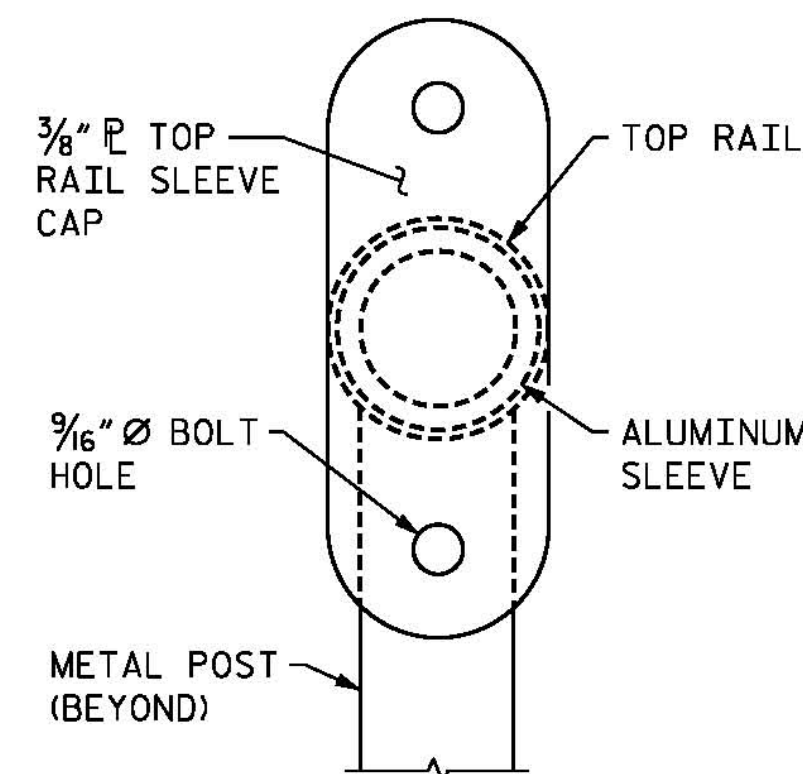
3 1/2" Ø BOTTOM AND INTERMEDIATE RAIL SLEEVE CAP



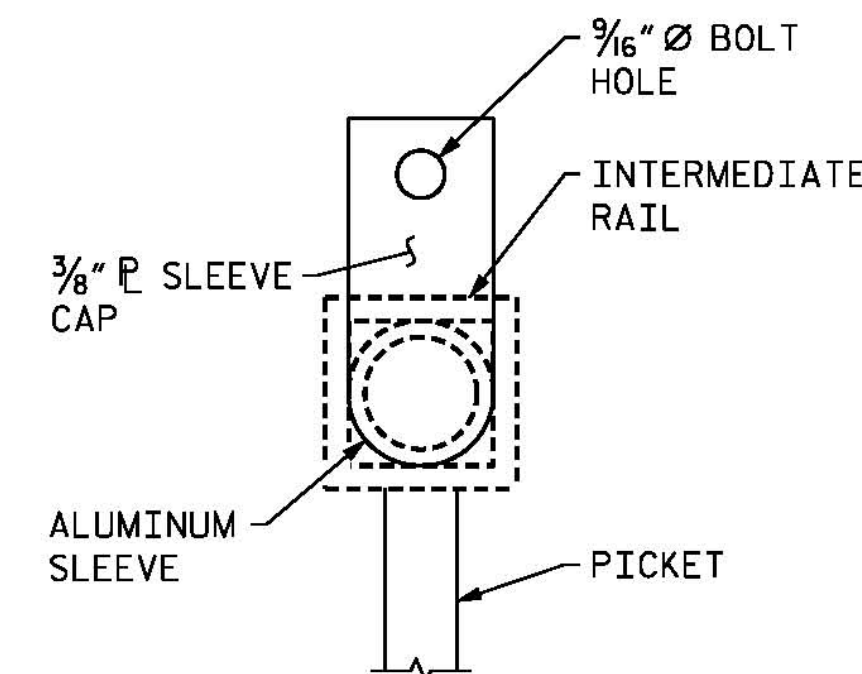
3/8" Ø TOP RAIL SLEEVE CAP



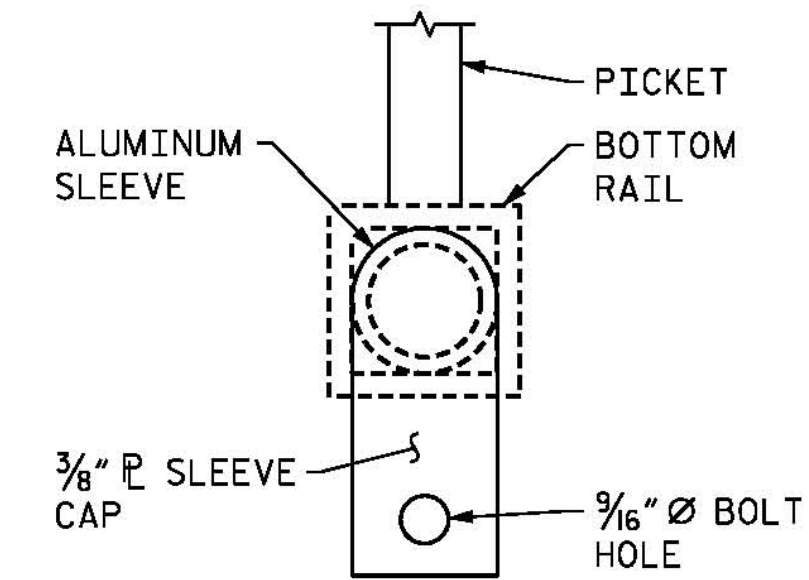
CURB EXPANSION JOINT DETAIL



TOP RAIL



INTERMEDIATE RAIL

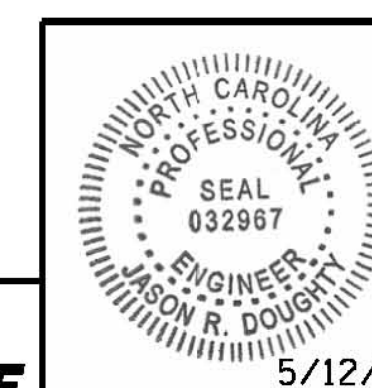


BOTTOM RAIL

VIEW C-C

PROJECT NO. B-4929
PENDER COUNTY
 STATION: 38+13.81 -L2-

SHEET 6 OF 13



STATE OF NORTH CAROLINA
 DEPARTMENT OF TRANSPORTATION
 RALEIGH
 SUPERSTRUCTURE
 PEDESTRIAN RAILING
 DETAILS

DESIGNED BY: JRD/EMD DATE: OCT 2015
 DRAWN BY: K. WHITE DATE: OCT 2015
 CHECKED BY: J. SHERMAN DATE: JAN 2016
 DESIGN ENGINEER OF RECORD: J. DOUGHTY DATE: MAY 2016

PARSONS BRINCKERHOFF
 434 FAYETTEVILLE STREET
 SUITE 1500
 RALEIGH, NC 27601
 LICENSE NO. F-0165

DocuSigned by:
 Jason R. Doughty
 00F1C86448274F7...

**DOCUMENT NOT CONSIDERED FINAL
 UNLESS ALL SIGNATURES COMPLETED**

REVISIONS						SHEET NO.
NO.	BY:	DATE:	NO.	BY:	DATE:	S-124
1			3			TOTAL SHEETS
2			4			278

5/10/2016 4:00_245_B4929_SMU_PED06.dgn