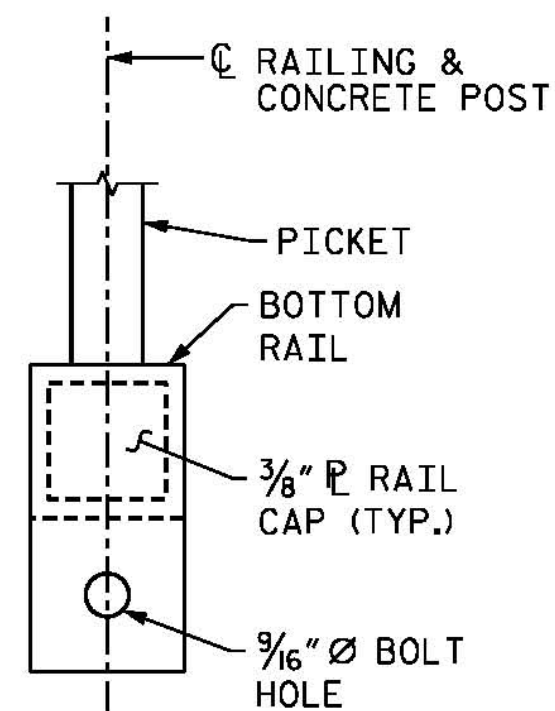
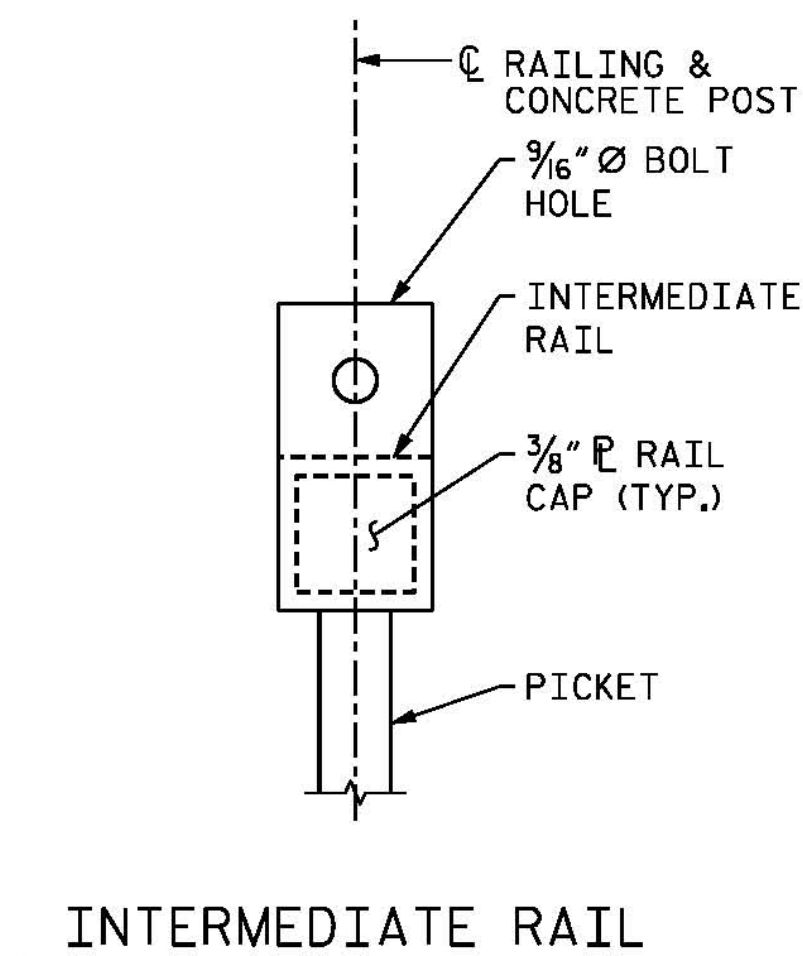
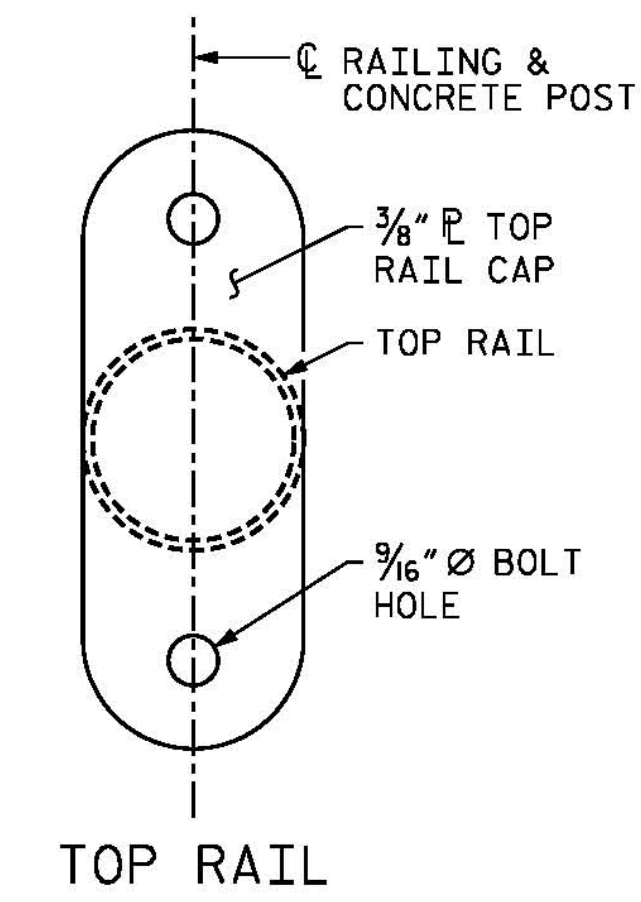
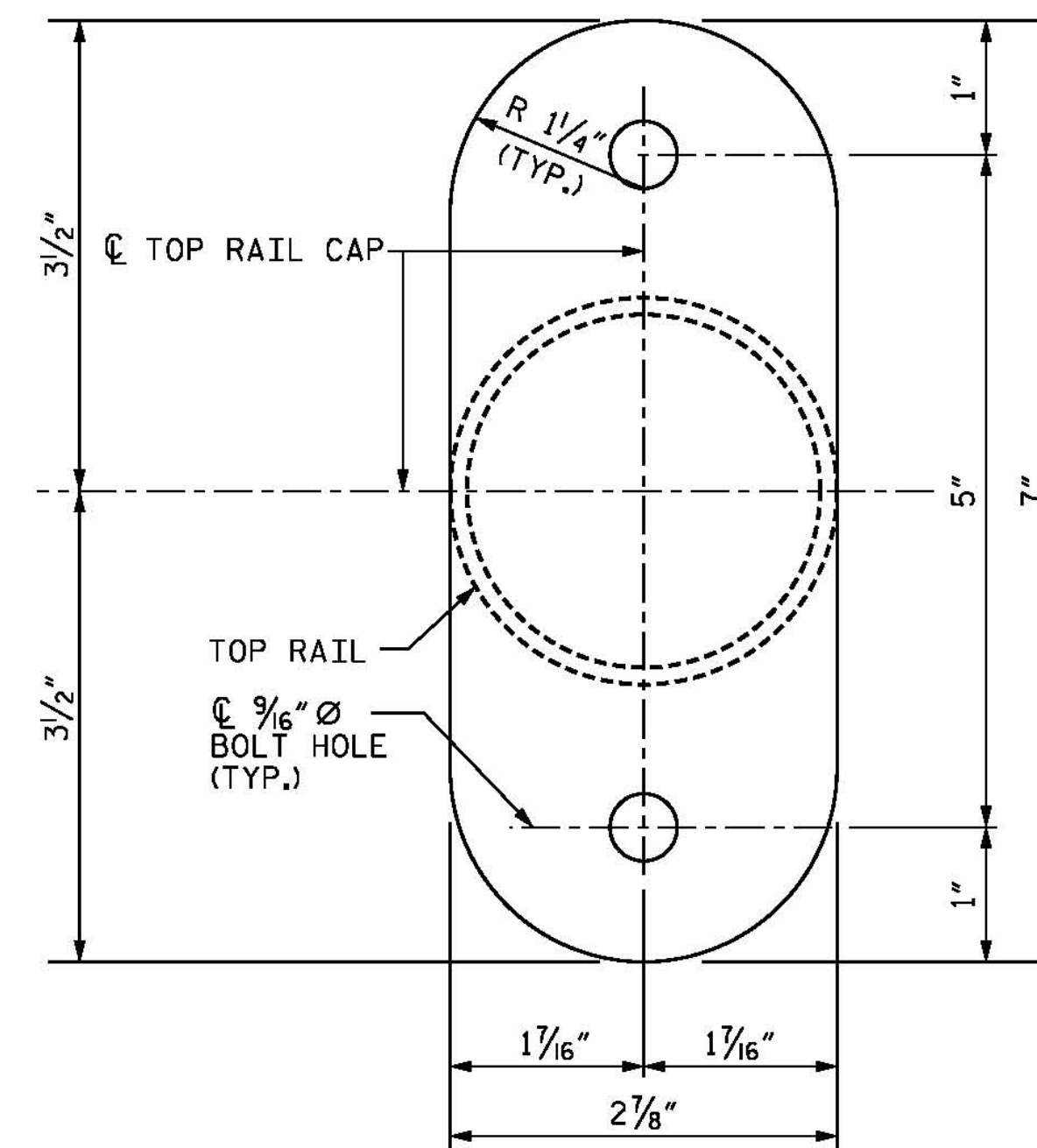


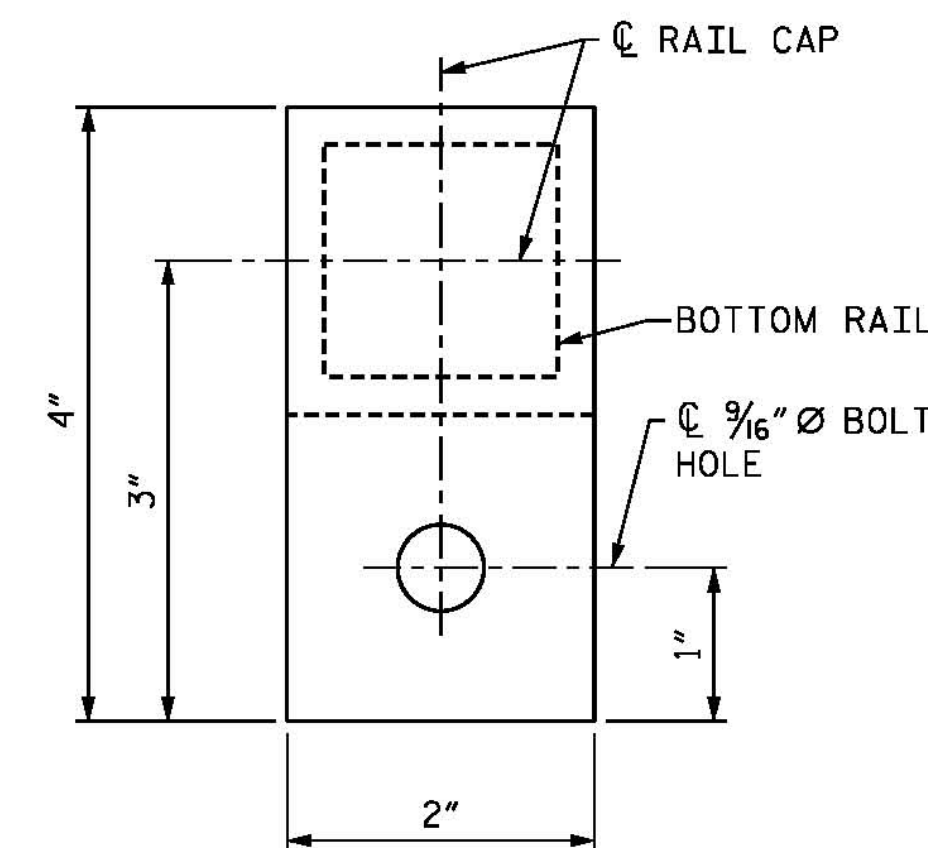
DETAIL A - ELEVATION VIEW
RAIL TERMINATION



VIEW A-A



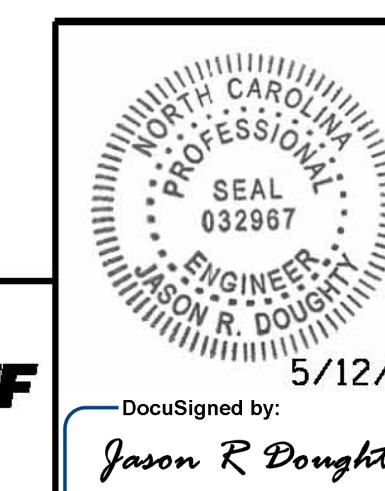
3/8" P TOP RAIL CAP



3/8" P BOTTOM AND INTERMEDIATE RAIL CAP

PROJECT NO. B-4929
PENDER COUNTY
STATION: 38+13.81 -L2-

SHEET 4 OF 13



PARSONS BRINCKERHOFF
434 FAYETTEVILLE STREET
SUITE 1500
RALEIGH, NC 27601
LICENSE NO. F-0165

REVISIONS						SHEET NO.
NO.	BY:	DATE:	NO.	BY:	DATE:	S-122
1			3			TOTAL SHEETS
2			4			278

**DOCUMENT NOT CONSIDERED FINAL
UNLESS ALL SIGNATURES COMPLETED**

5/10/2016 4:00_241_B4929_SMJ_PED04.dgn

DESIGNED BY: JRD/EMD DATE: OCT 2015
DRAWN BY: K. WHITE DATE: OCT 2015
CHECKED BY: J. SHERMAN DATE: JAN 2016
DESIGN ENGINEER OF RECORD: J. DOUGHTY DATE: MAY 2016