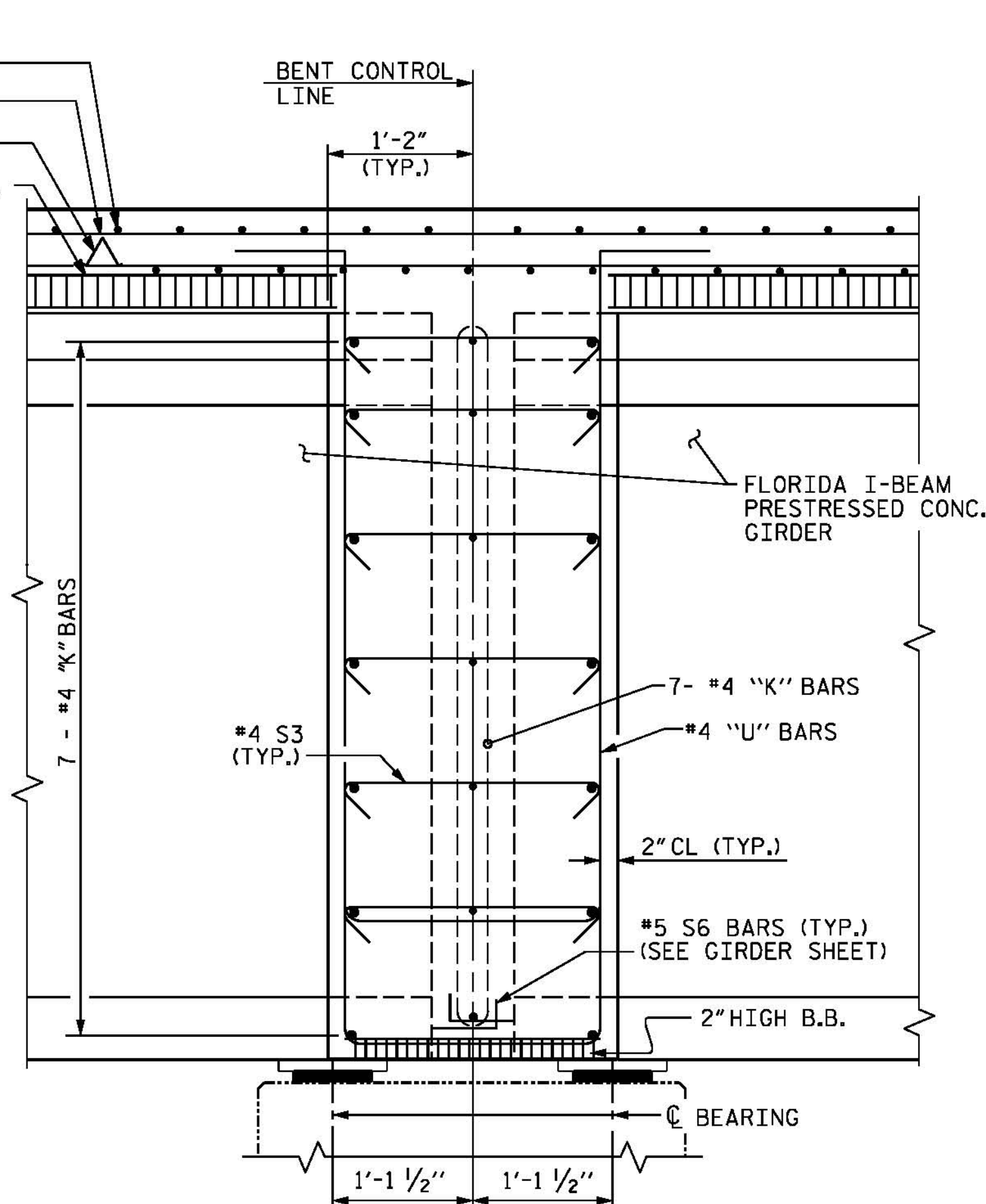
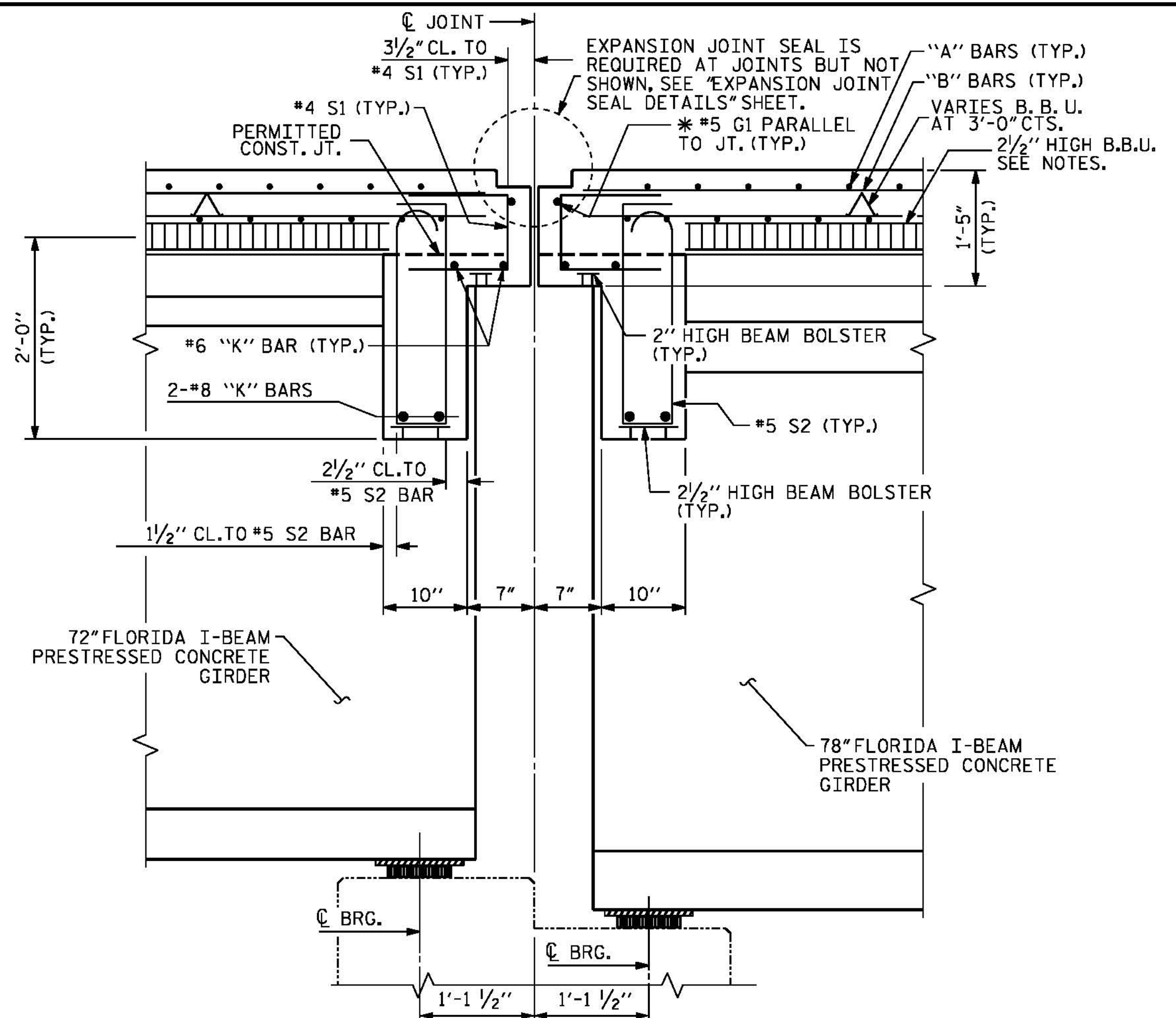


SECTION AT BENT DIAPHRAGM

* #5G BAR MAY BE SHIFTED SLIGHTLY, AS NECESSARY, TO CLEAR REINFORCING STEEL AND STIRRUPS.
BENT 3 SHOWN, OTHER BENTS SIMILAR

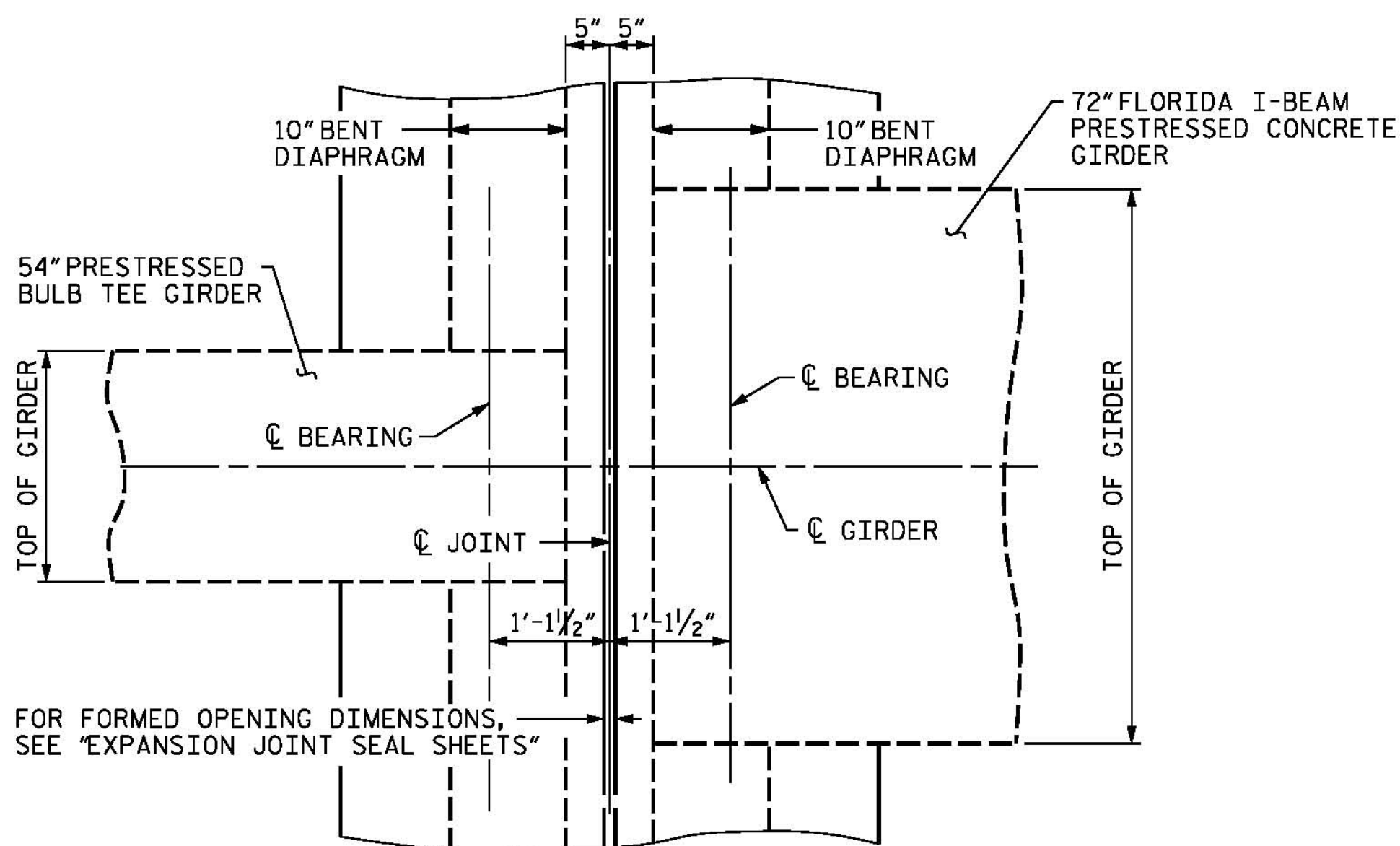


SECTION AT CONTINUOUS BENT DIAPHRAGM



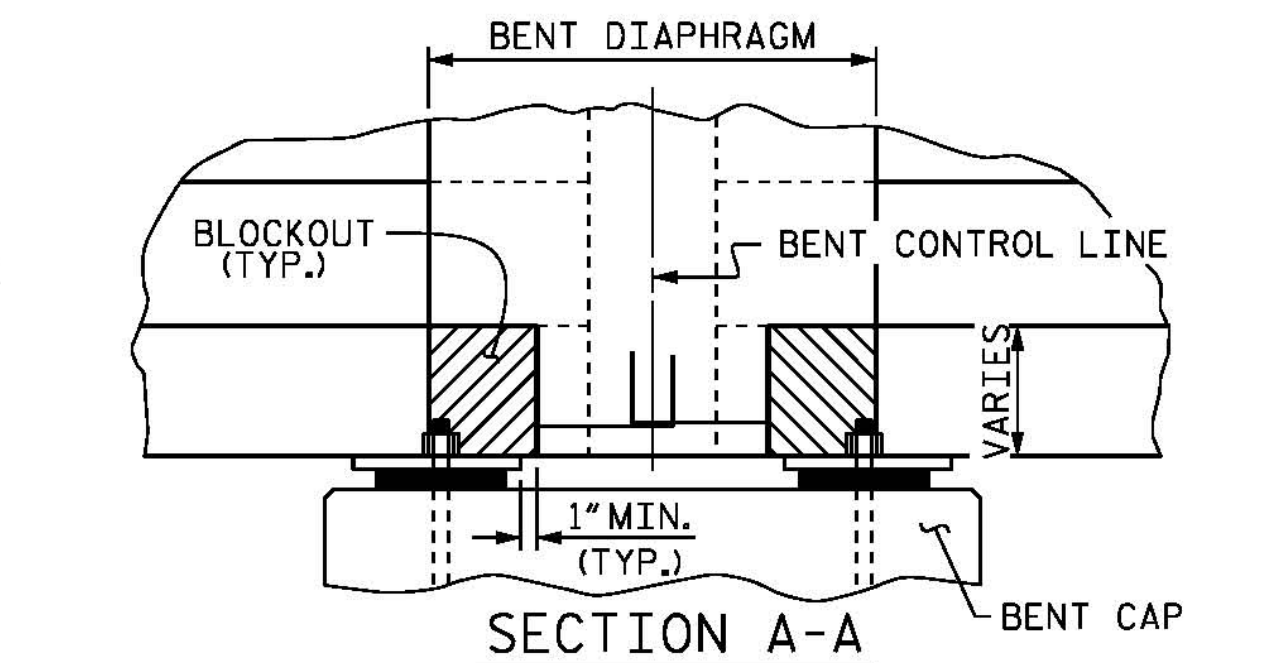
SECTION AT BENT DIAPHRAGM

* #5G BAR MAY BE SHIFTED SLIGHTLY, AS NECESSARY, TO CLEAR REINFORCING STEEL AND STIRRUPS.
BENT 25 SHOWN, OTHER BENTS SIMILAR

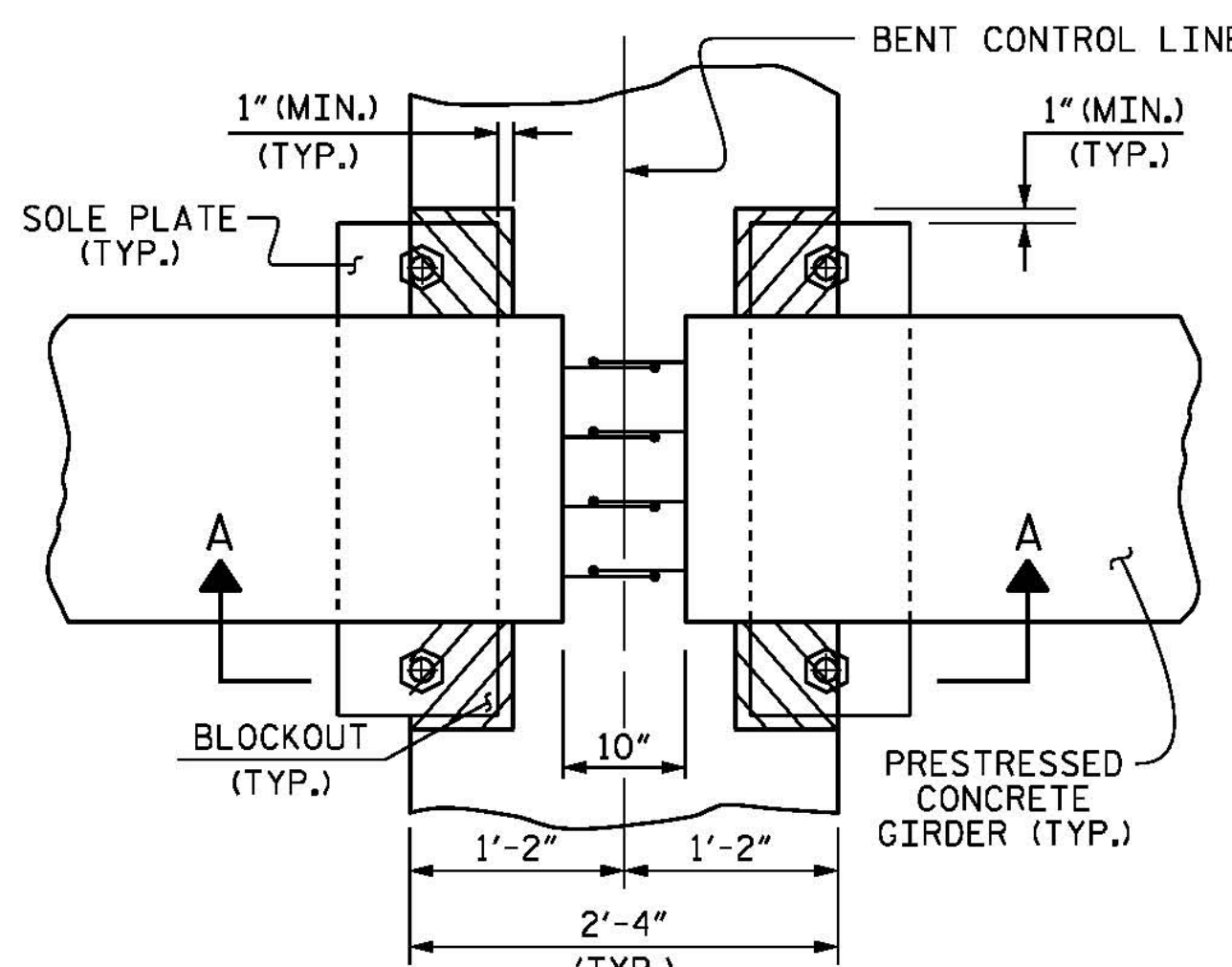


PLAN VIEW AT BENT DIAPHRAGM

BENT 3 SHOWN, OTHER BENTS SIMILAR

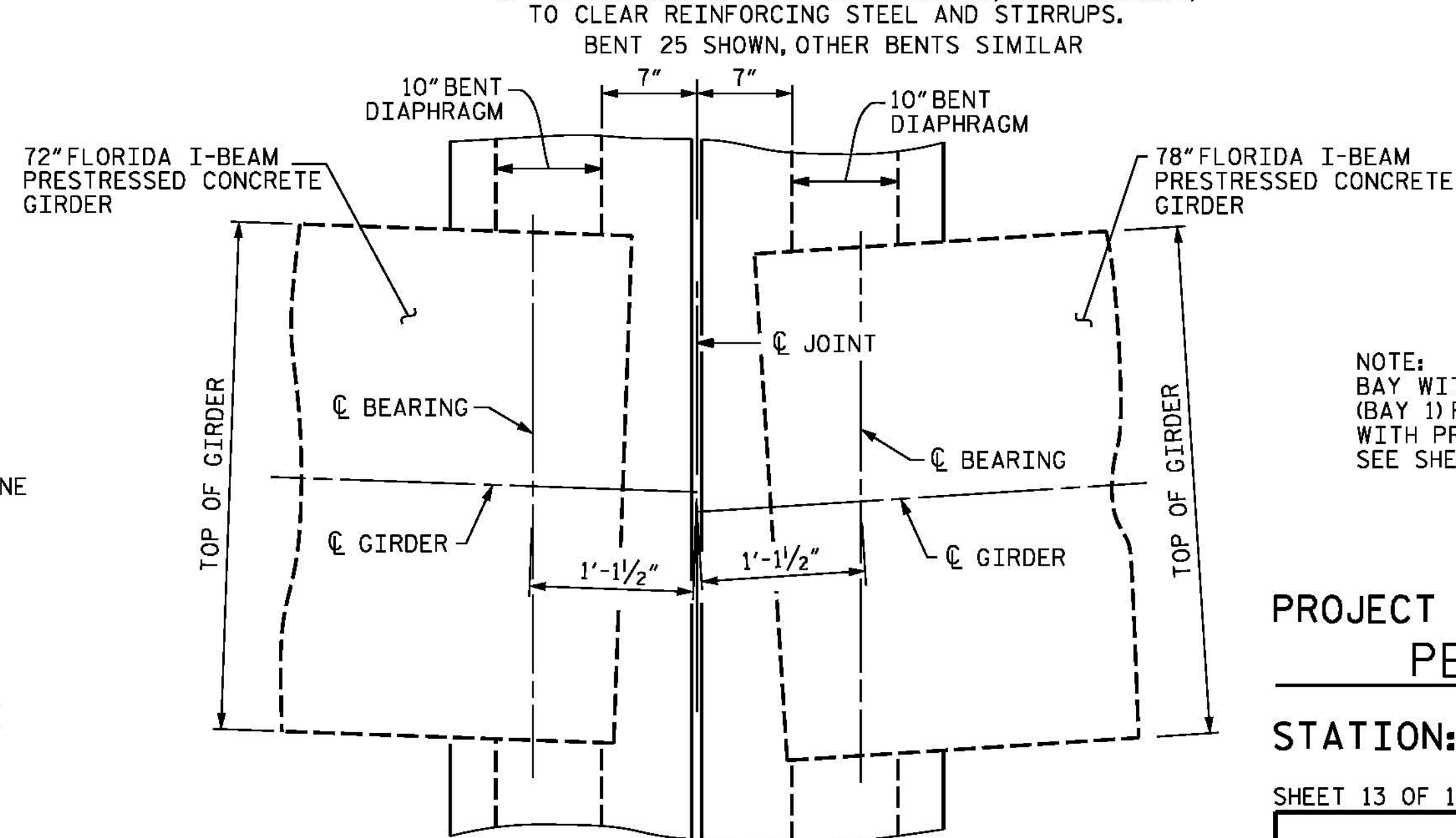


SECTION A-A



PLAN VIEW

BENT DIAPHRAGM BLOCKOUT DETAIL



PLAN VIEW AT BENT DIAPHRAGM

BENT 25 SHOWN, OTHER BENTS SIMILAR

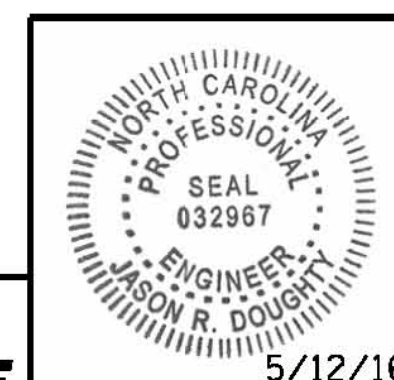
FOR FORMED OPENING DIMENSIONS, SEE "EXPANSION JOINT SEAL SHEETS"

NOTE:
BAY WITH FULL DEPTH SLAB SHOWN (BAY 1) FOR SELECT BENTS. FOR BAYS WITH PRECAST PANELS (BAY 2, 3 AND 4), SEE SHEETS 8, 9, 10 AND 12 OF 13.

PROJECT NO. B-4929
PENDER COUNTY
STATION: 38+13.81 -L2-

SHEET 13 OF 13

STATE OF NORTH CAROLINA
DEPARTMENT OF TRANSPORTATION
RALEIGH
SUPERSTRUCTURE
TYPICAL SECTION
DETAILS
BAY 1 ALL SPANS



PARSONS BRINCKERHOFF
434 FAYETTEVILLE STREET
SUITE 1500
RALEIGH, NC 27601
LICENSE NO. F-0165

DocuSigned by:
Jason R Doughty
00F1C96448274F7...

**DOCUMENT NOT CONSIDERED FINAL
UNLESS ALL SIGNATURES COMPLETED**

REVISIONS				SHEET NO.
NO.	BY:	DATE:	NO.	DATE:
1			3	
2			4	

TOTAL SHEETS: 278

5/9/2016 400_085_B4929_SMU_TYPD6.dgn

DESIGNED BY: J. SMITH DATE: MAR 2016
DRAWN BY: M. HOBBS DATE: MAR 2016
CHECKED BY: B. LOFLIN DATE: MAR 2016
DESIGN ENGINEER OF RECORD: J. DOUGHTY DATE: MAY 2016