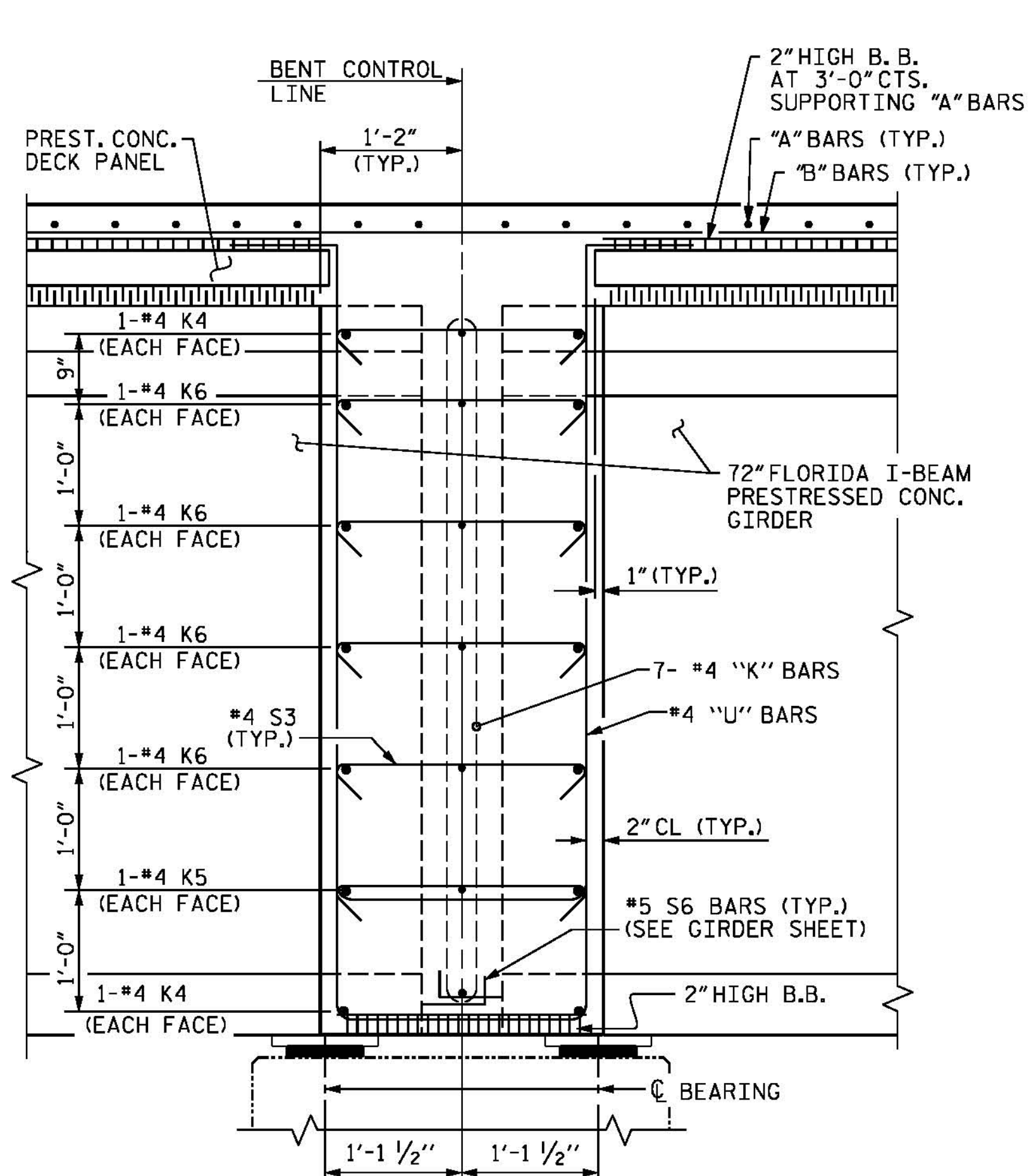
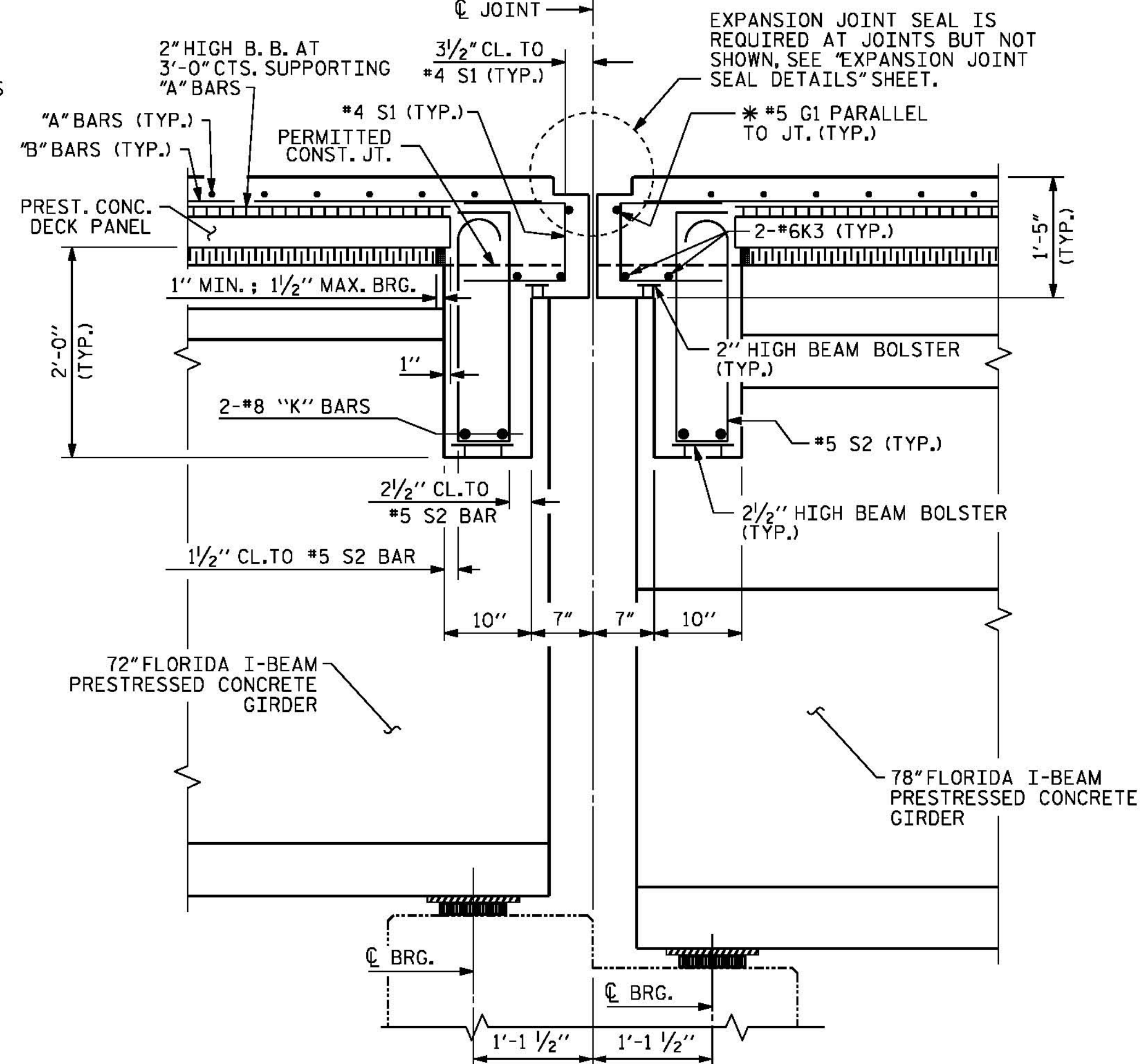


SECTION AT BENT DIAPHRAGM

* #5G BAR MAY BE SHIFTED SLIGHTLY, AS NECESSARY, TO CLEAR REINFORCING STEEL AND STIRRUPS.
BENT 3 SHOWN, BENTS 6 AND 10 SIMILAR.

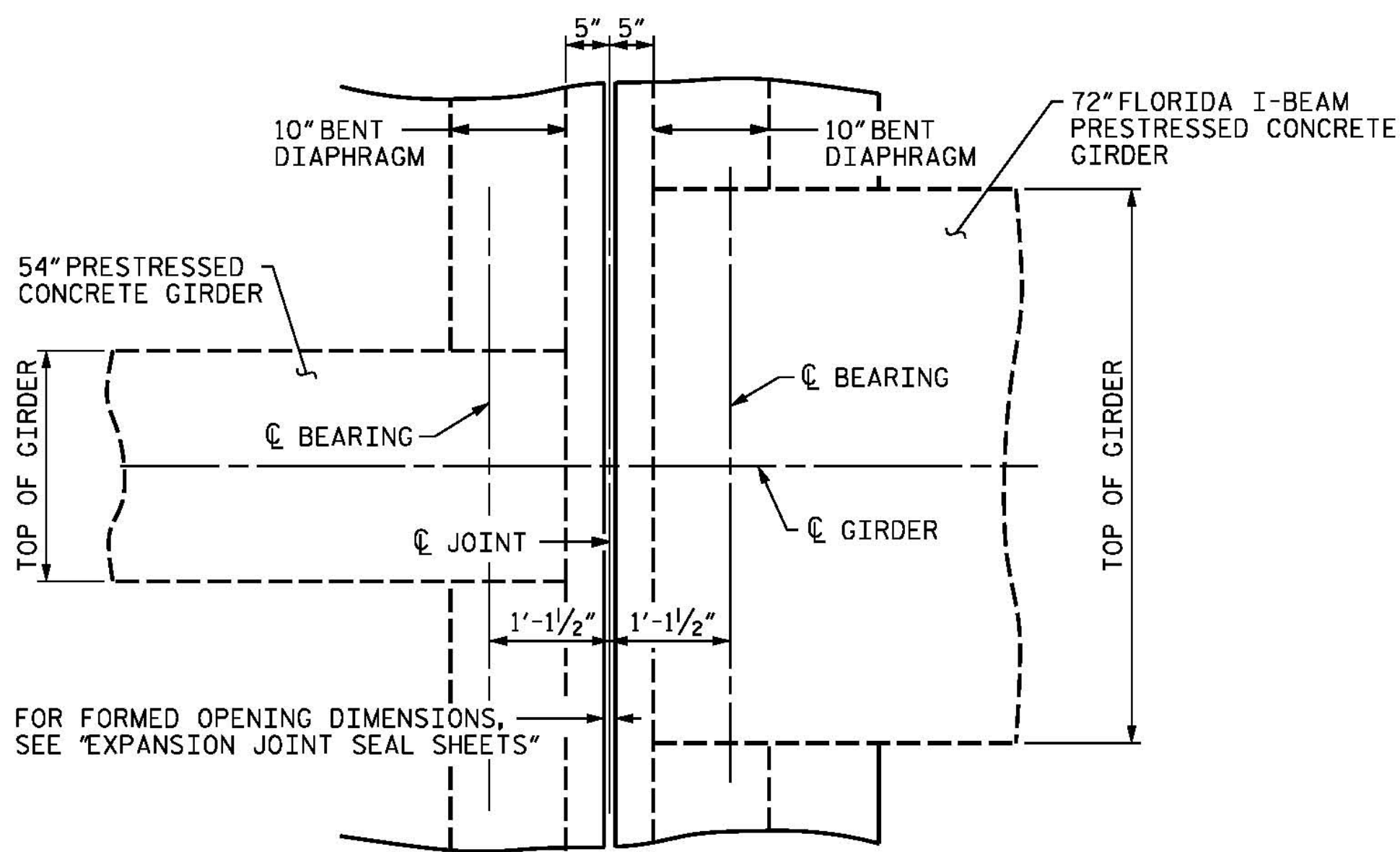


SECTION AT CONTINUOUS BENT DIAPHRAGM

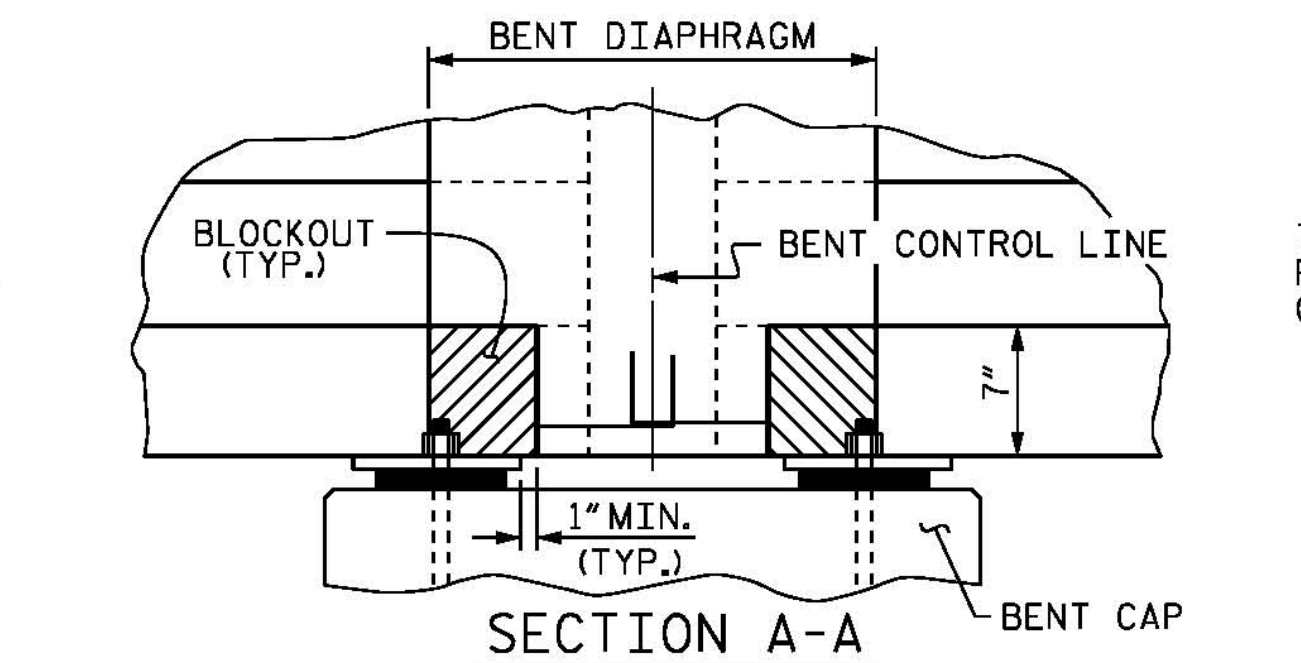


SECTION AT BENT DIAPHRAGM

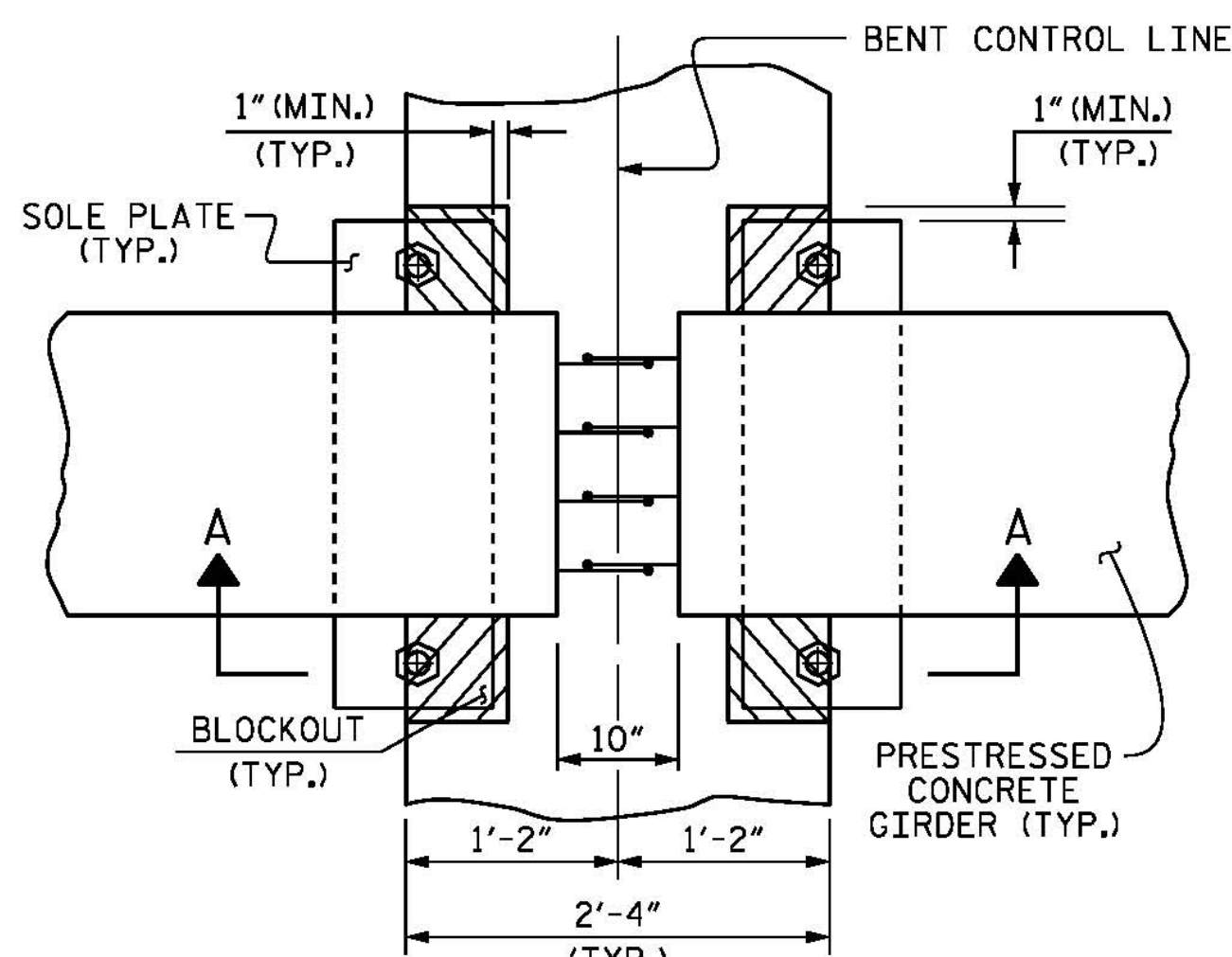
* #5G BAR MAY BE SHIFTED SLIGHTLY, AS NECESSARY, TO CLEAR REINFORCING STEEL AND STIRRUPS.



PLAN VIEW AT BENT DIAPHRAGM

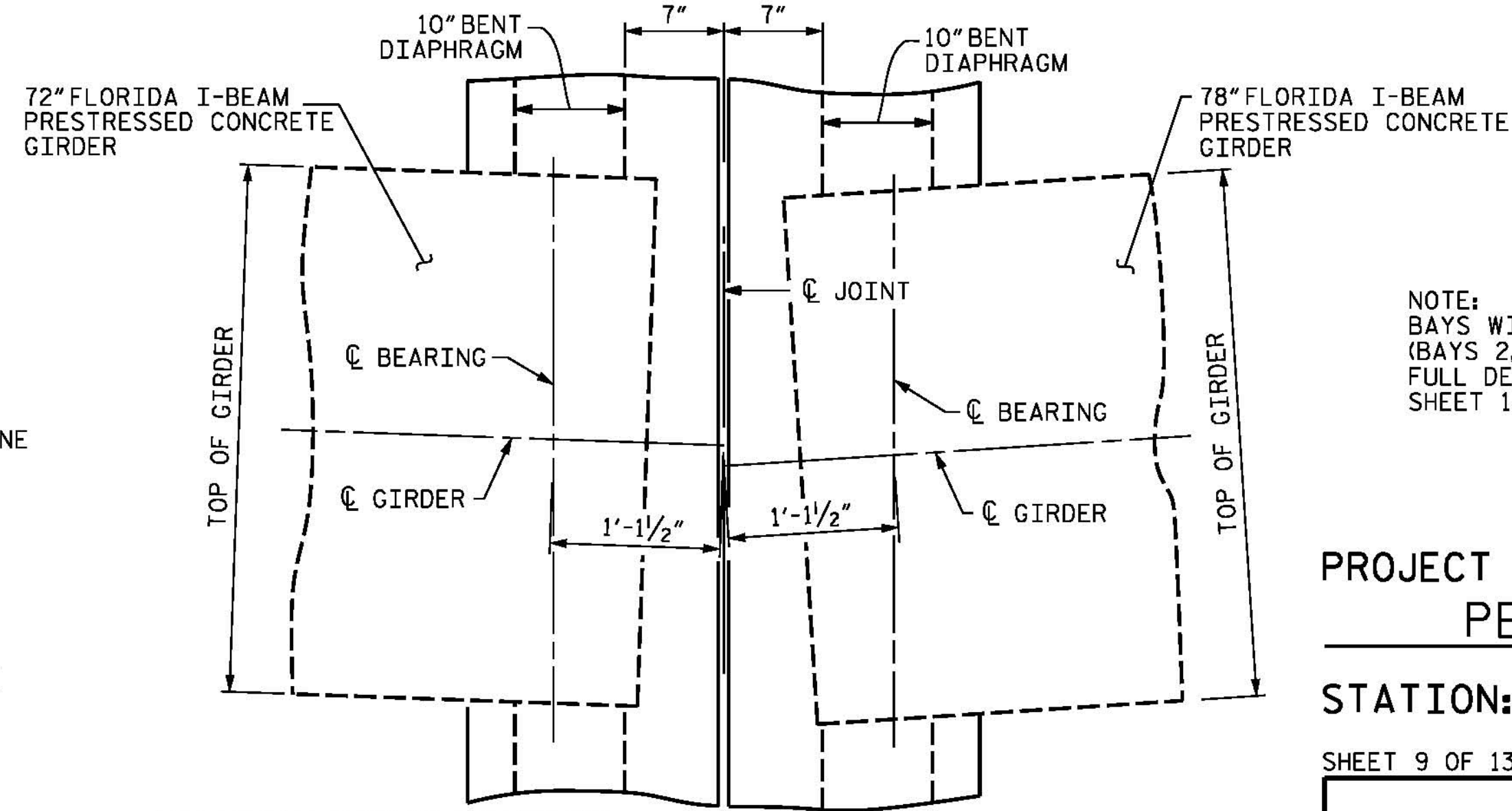


SECTION A-A



PLAN VIEW

BENT DIAPHRAGM BLOCKOUT DETAIL



PLAN VIEW AT BENT DIAPHRAGM

NOTE:
BAYS WITH PRECAST PANELS SHOWN (BAYS 2, 3 AND 4). FOR BAY WITH FULL DEPTH SLAB (BAY 1), SEE SHEET 13 OF 13.

PROJECT NO. B-4929
PENDER COUNTY
STATION: 38+13.81 -L2-

SHEET 9 OF 13

STATE OF NORTH CAROLINA
DEPARTMENT OF TRANSPORTATION
RALEIGH
SUPERSTRUCTURE
TYPICAL SECTION
DETAILS
SPANS D THROUGH M



PARSONS BRINCKERHOFF
434 FAYETTEVILLE STREET
SUITE 1500
RALEIGH, NC 27601
LICENSE NO. F-0165

DocuSigned by:
Jason R. Doughty
00F1C8648274F7...

DESIGNED BY: J. SMITH DATE: NOV 2015
DRAWN BY: M. HOBBS DATE: NOV 2015
CHECKED BY: E. DAVIS DATE: MAR 2016
DESIGN ENGINEER OF RECORD: J. DOUGHTY DATE: MAY 2016

REVISIONS						SHEET NO.
NO.	BY:	DATE:	NO.	BY:	DATE:	S-40
1			3			TOTAL SHEETS
2			4			278

DOCUMENT NOT CONSIDERED FINAL UNLESS ALL SIGNATURES COMPLETED

5/9/2016 400_077_B4929_SMU_TYPD2.dgn