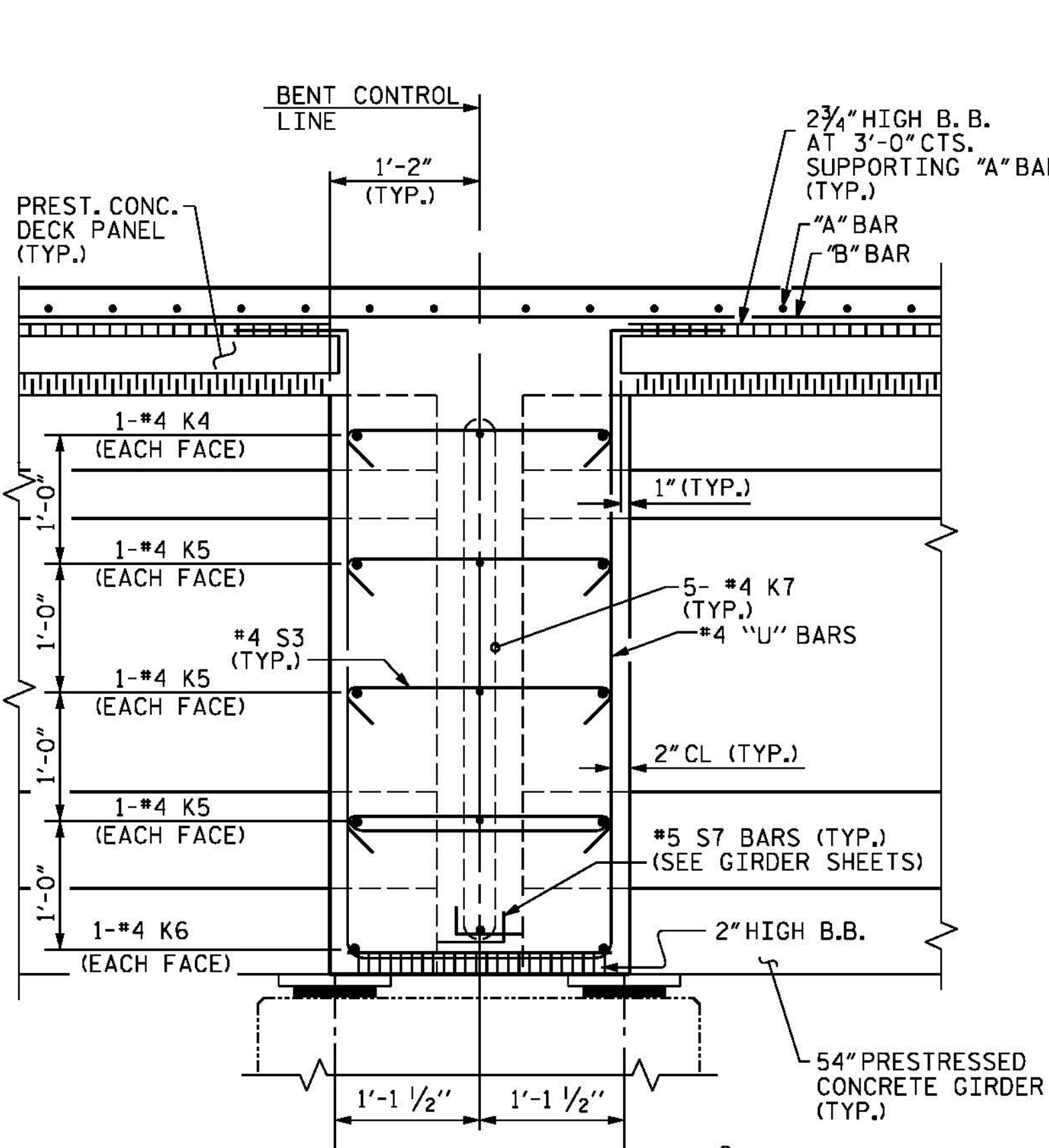
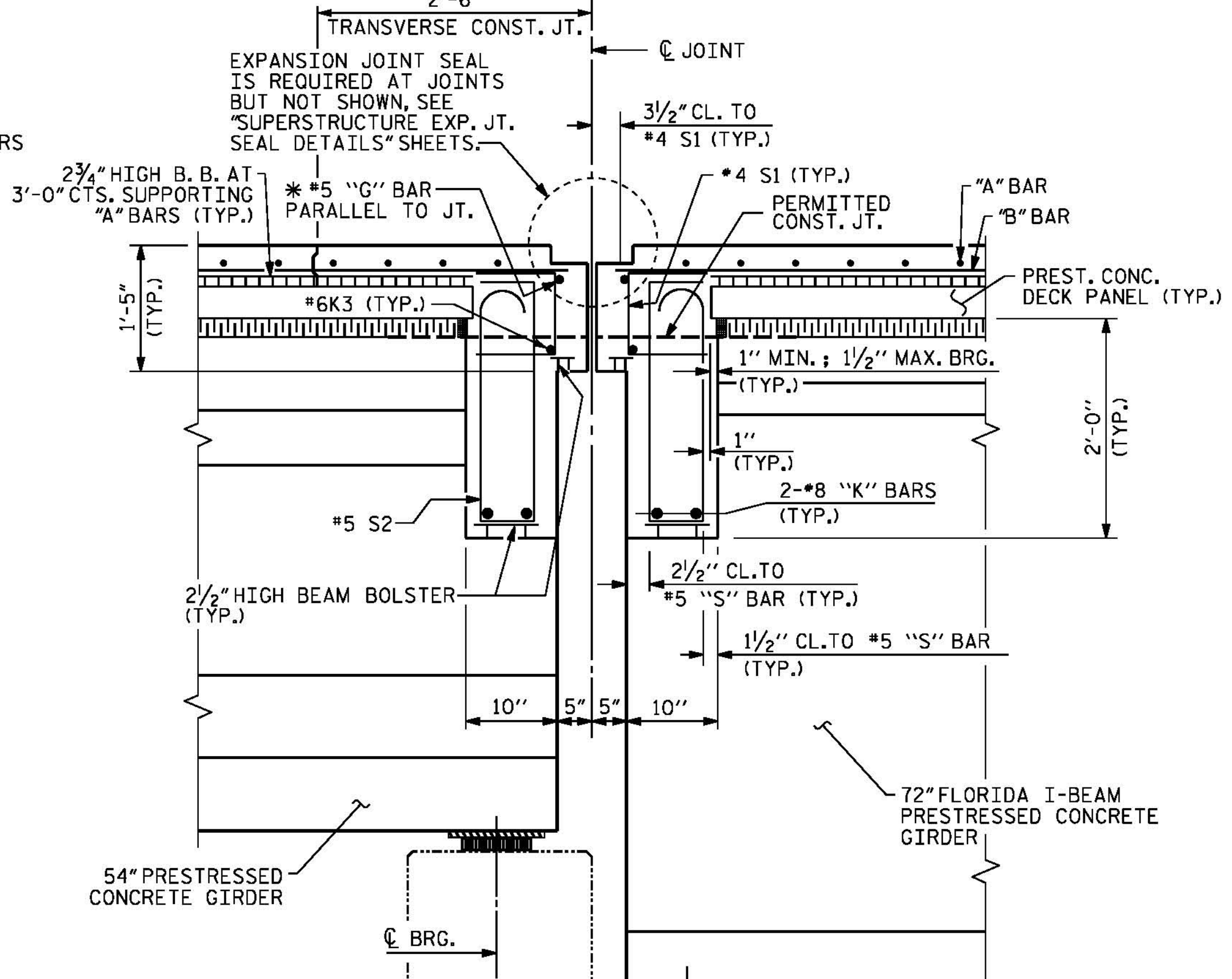


SECTION AT END BENT DIAPHRAGM

* #5G BAR MAY BE SHIFTED SLIGHTLY, AS NECESSARY, TO CLEAR REINFORCING STEEL AND STIRRUPS.

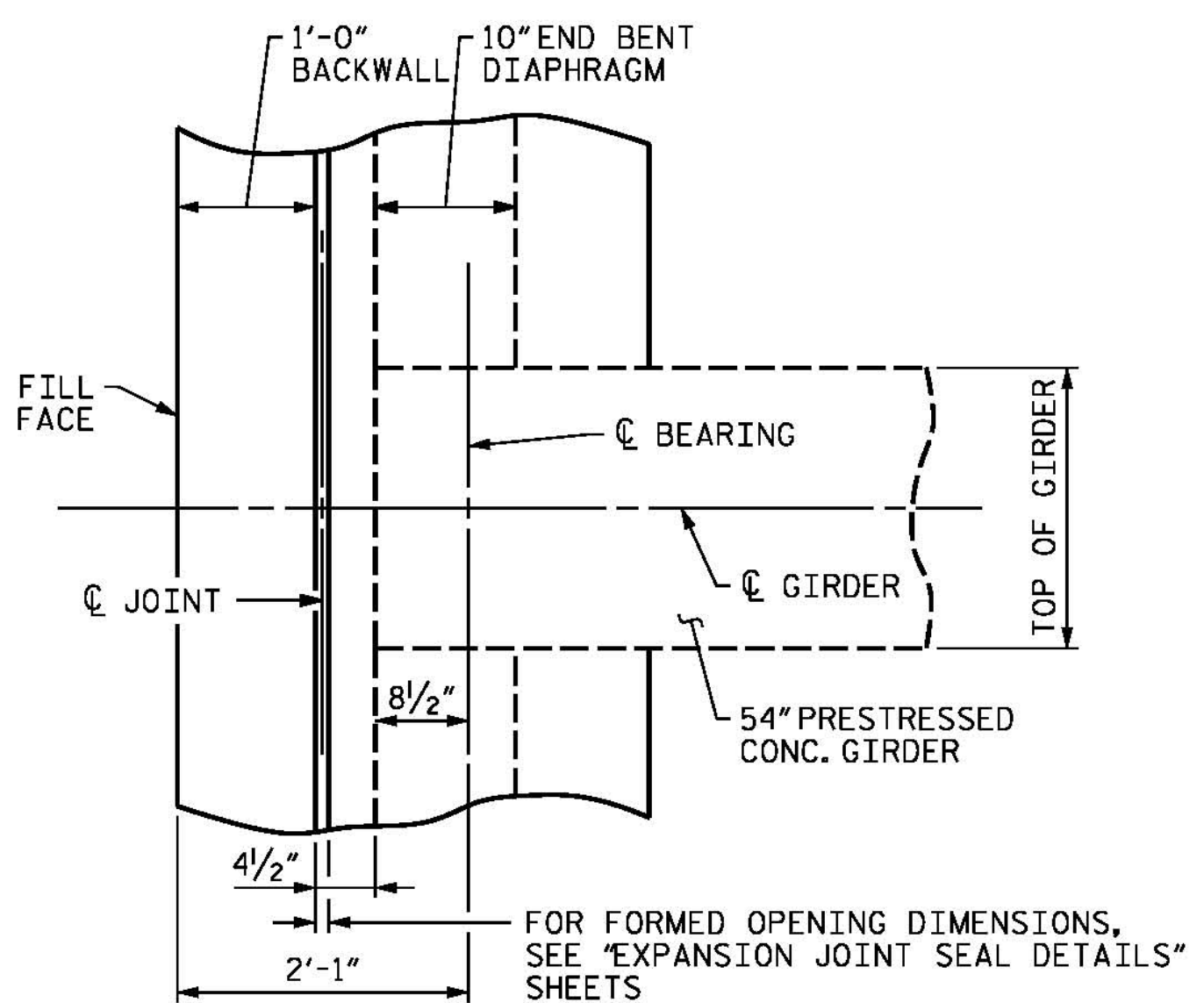


SECTION AT CONTINUOUS BENT DIAPHRAGM

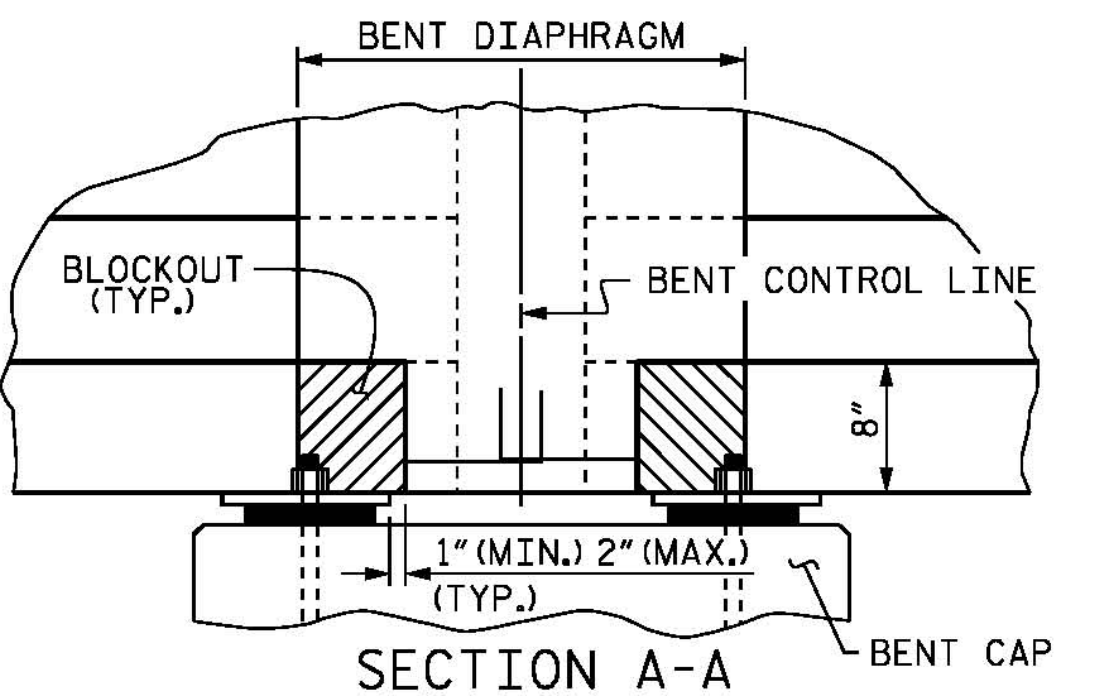


SECTION AT BENT DIAPHRAGM

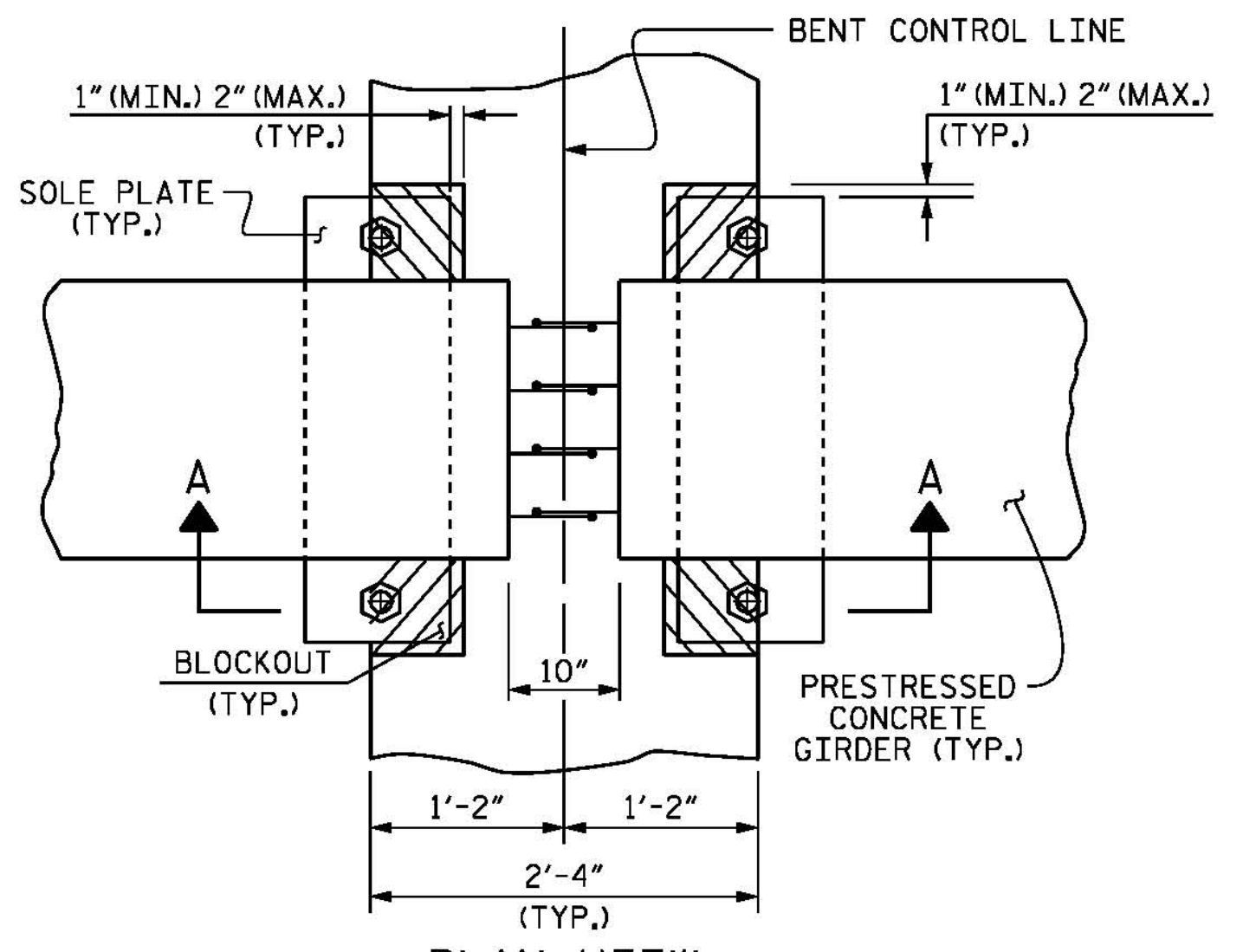
* #5G BAR MAY BE SHIFTED SLIGHTLY, AS NECESSARY, TO CLEAR REINFORCING STEEL AND STIRRUPS.



SECTION AT END BENT DIAPHRAGM

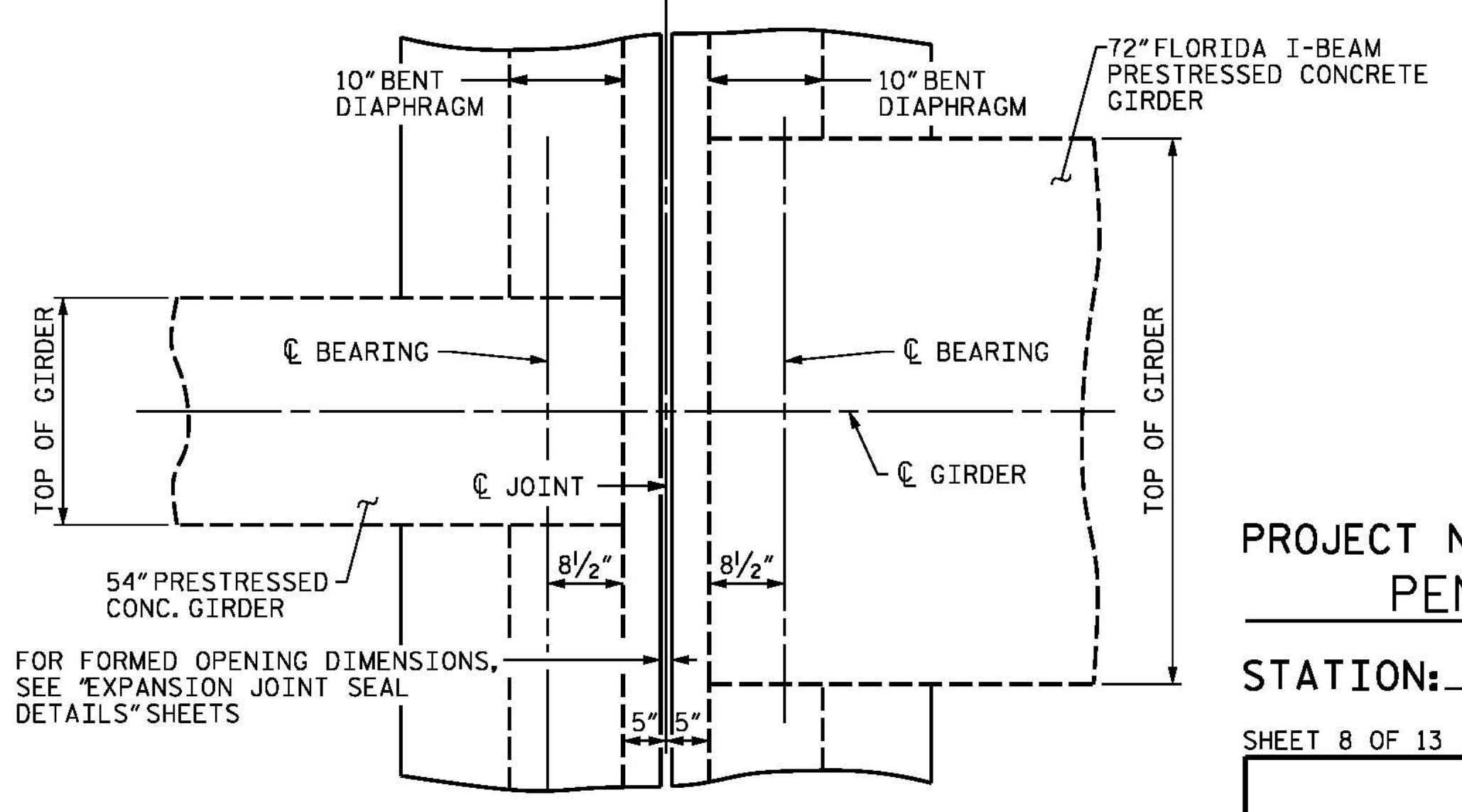


SECTION A-A



PLAN VIEW

BENT DIAPHRAGM BLOCKOUT DETAIL



SECTION AT BENT DIAPHRAGM

FOR FORMED OPENING DIMENSIONS, SEE "EXPANSION JOINT SEAL DETAILS" SHEETS

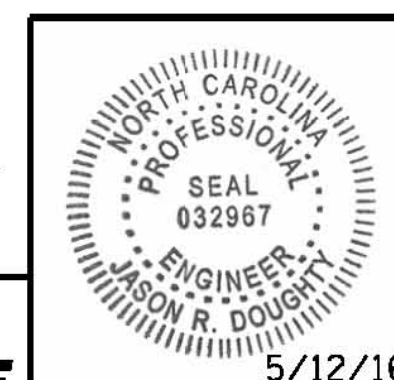
PROJECT NO. B-4929

PENDER COUNTY

STATION: 38+13.81 -L2-

SHEET 8 OF 13

STATE OF NORTH CAROLINA
DEPARTMENT OF TRANSPORTATION
RALEIGH
SUPERSTRUCTURE
TYPICAL SECTION
DETAILS
SPANS A, B AND C



PARSONS BRINCKERHOFF
434 FAYETTEVILLE STREET
SUITE 1500
RALEIGH, NC 27601
LICENSE NO. F-0165

DocuSigned by:
Jason R. Doughty
00F1C8648274F7...

| REVISIONS | | | | | | SHEET NO. |
|-----------|-----|-------|-----|-----|-------|--------------|
| NO. | BY: | DATE: | NO. | BY: | DATE: | S-39 |
| 1 | | | 3 | | | TOTAL SHEETS |
| 2 | | | 4 | | | 278 |

DOCUMENT NOT CONSIDERED FINAL UNLESS ALL SIGNATURES COMPLETED

5/9/2016 400_075_B4929_SMU_TYPD1.dgn

DESIGNED BY: J. BORUTA DATE: OCT 2015
DRAWN BY: M. HOBBS DATE: OCT 2015
CHECKED BY: E. DAVIS DATE: FEB 2016
DESIGN ENGINEER OF RECORD: J. DOUGHTY DATE: MAY 2016