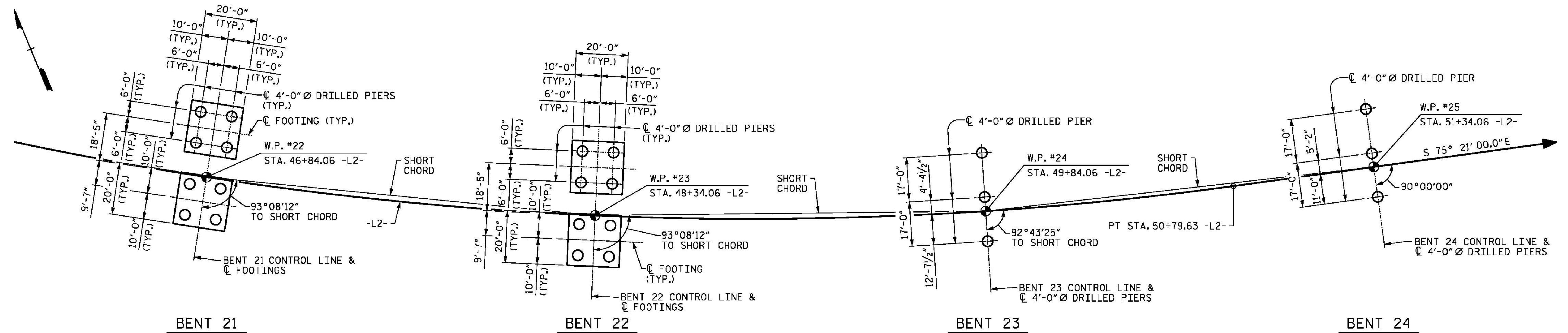


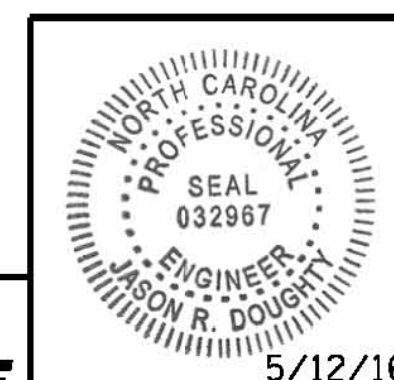
PLAN



PLAN

PROJECT NO. B-4929  
PENDER COUNTY  
 STATION: 38+13.81 -L2-  
 SHEET 3 OF 4

STATE OF NORTH CAROLINA DEPARTMENT OF TRANSPORTATION RALEIGH					
GENERAL DRAWING FOUNDATION LAYOUT					
REVISIONS					
NO.	BY:	DATE:	NO.	BY:	DATE:
1			3		
2			4		
SHEET NO.					S-15
TOTAL SHEETS					278



**PARSONS BRINCKERHOFF**  
 434 FAYETTEVILLE STREET  
 SUITE 1500  
 RALEIGH, NC 27601  
 LICENSE NO. F-0165

DocuSigned by:  
*Jason R. Doughty*  
 00F1C86448274F7...  
 5/12/16

**DOCUMENT NOT CONSIDERED FINAL  
 UNLESS ALL SIGNATURES COMPLETED**

DESIGNED BY: J. DOUGHTY DATE: DEC 2015  
 DRAWN BY: KEW/MAH DATE: DEC 2015  
 CHECKED BY: B. LOFLIN DATE: MAR 2016  
 DESIGN ENGINEER OF RECORD: J. DOUGHTY DATE: MAY 2016

5/9/2016  
 400\_027\_B4929\_SMU\_FL3.dgn