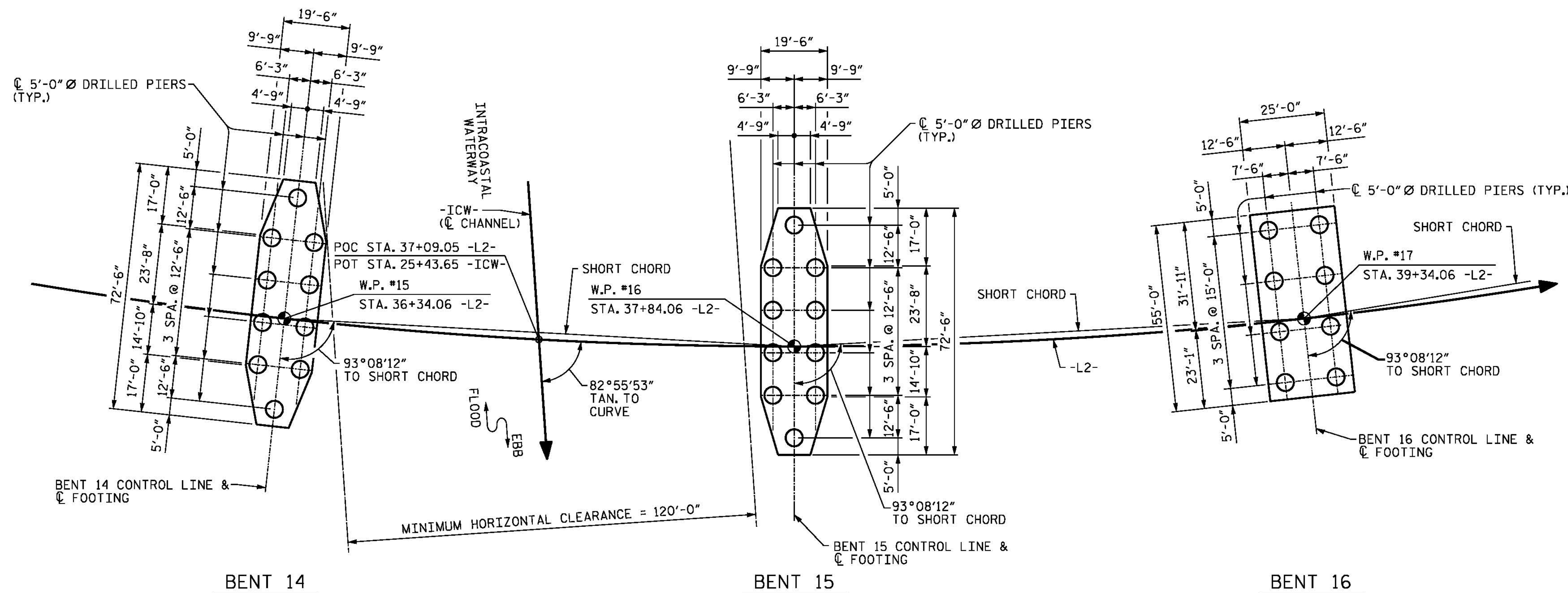


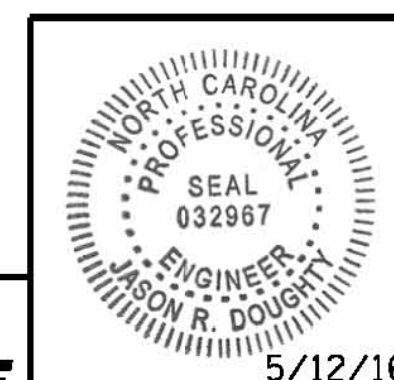
PLAN



PLAN

PROJECT NO. B-4929  
PENDER COUNTY  
 STATION: 38+13.81 -L2-  
 SHEET 2 OF 4

STATE OF NORTH CAROLINA  
 DEPARTMENT OF TRANSPORTATION  
 RALEIGH  
 GENERAL DRAWING  
 FOUNDATION LAYOUT



**PARSONS BRINCKERHOFF**  
 434 FAYETTEVILLE STREET  
 SUITE 1500  
 RALEIGH, NC 27601  
 LICENSE NO. F-0165

DocuSigned by:  
 Jason R. Doughty  
 00F1C86448274F7...

DESIGNED BY: J. DOUGHTY DATE: DEC 2015  
 DRAWN BY: KEW/MAH DATE: JAN 2016  
 CHECKED BY: B. LOFLIN DATE: MAR 2016  
 DESIGN ENGINEER OF RECORD: J. DOUGHTY DATE: MAY 2016

DOCUMENT NOT CONSIDERED FINAL  
 UNLESS ALL SIGNATURES COMPLETED

| REVISIONS |     |       |     |     |       | SHEET NO.    |
|-----------|-----|-------|-----|-----|-------|--------------|
| NO.       | BY: | DATE: | NO. | BY: | DATE: | S-14         |
| 1         |     |       | 3   |     |       | TOTAL SHEETS |
| 2         |     |       | 4   |     |       | 278          |

5/9/2016 400\_025\_B4929\_SMU\_FL2.dgn