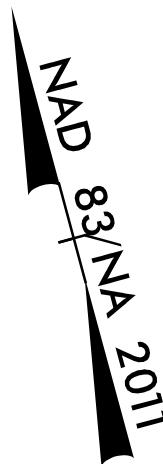


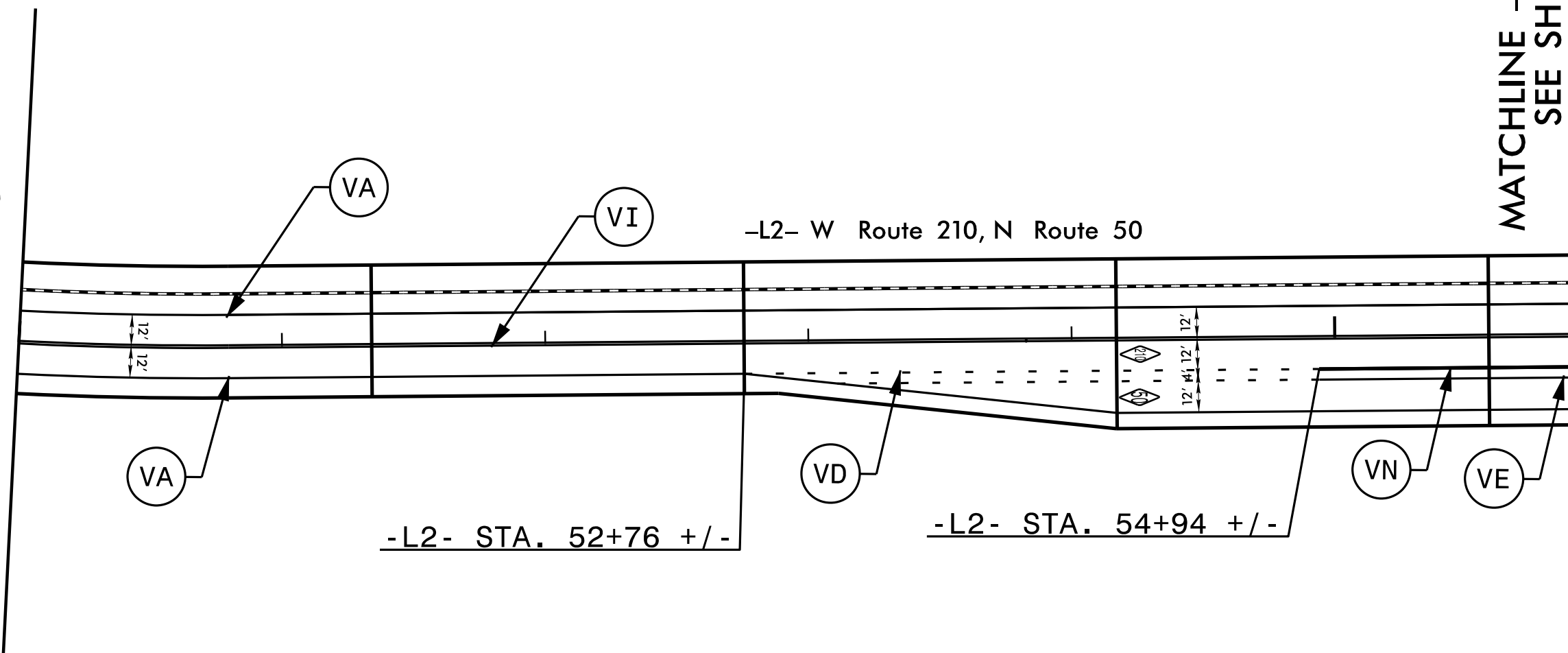
\*USE COLD APPLIED PLASTIC FOR ROUTE SHIELDS ON CONCRETE SURFACE

50

55



MATCHLINE -L2- STA. 50+00  
SEE SHEET PMP 5



MATCHLINE -L2- STA. 56+00  
SEE SHEET PMP 7

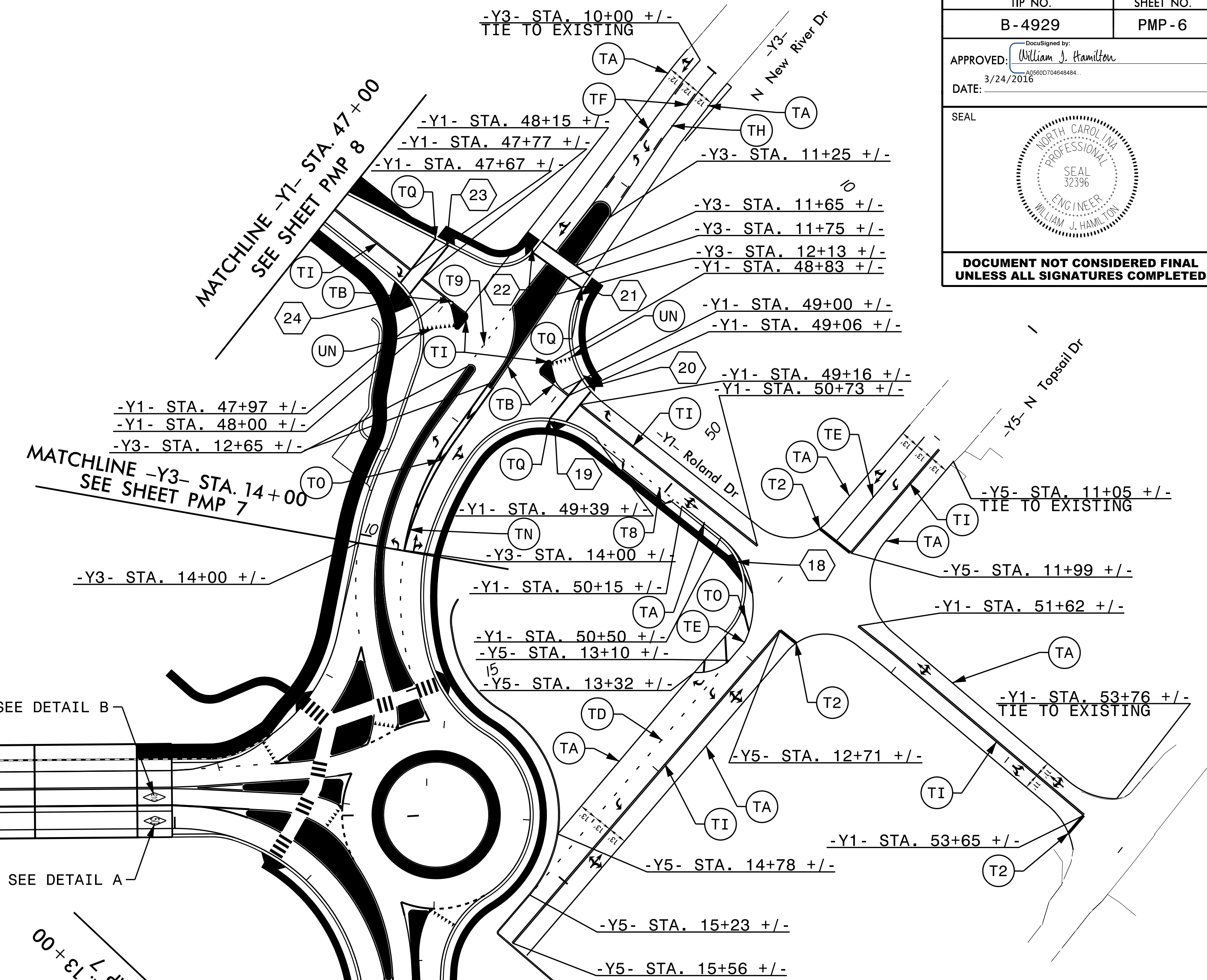
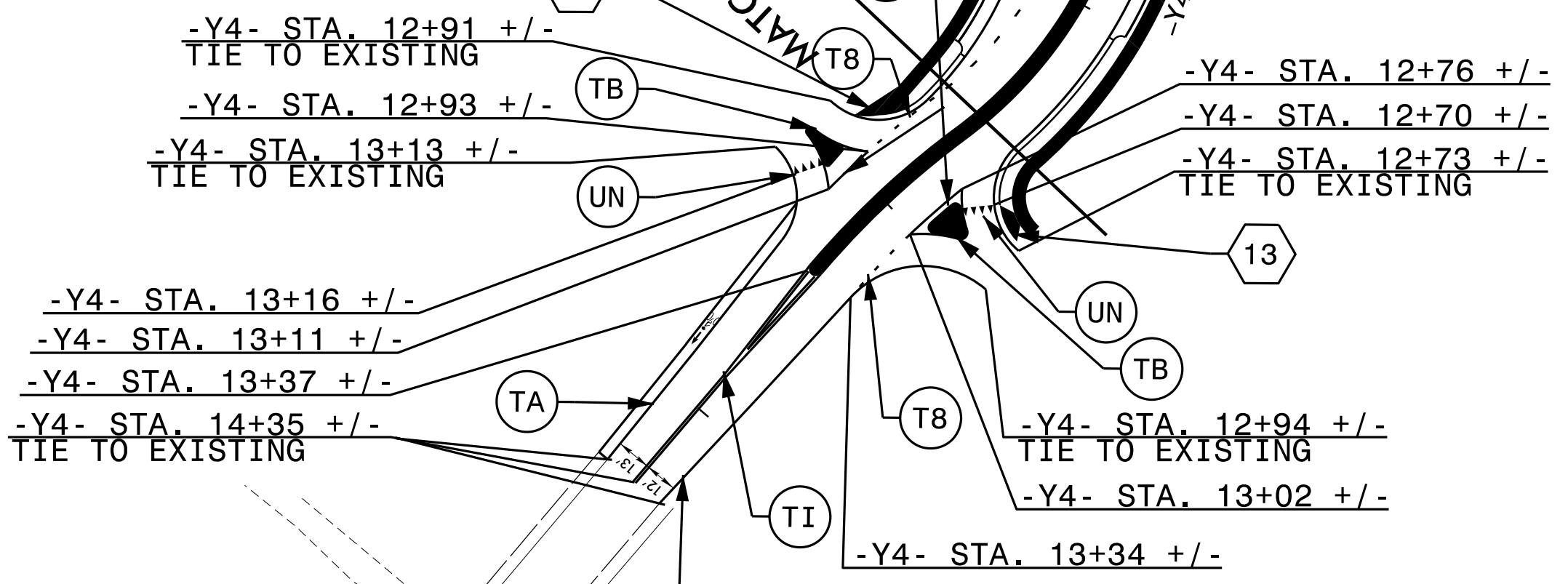
MATCHLINE -Y3- STA. 14+00  
SEE SHEET PMP 7

SEE DETAIL B

SEE DETAIL A

MATCHLINE -S12- STA. 13+00  
SEE SHEET PMP 7

SYMBOL LEGEND					
	UA	LEFT ARROW		UE	COMBO. STRAIGHT/ RIGHT ARROW
	UB	RIGHT ARROW		UF	COMBO. LEFT/RIGHT ARROW
	UC	STRAIGHT ARROW		UG	COMBO. LEFT/STRAIGHT/RIGHT ARROW



TIP NO. B-4929	SHEET NO. PMP-6
APPROVED: <i>William J. Hamilton</i> 3/24/2016	
DATE: 3/24/2016	
SEAL 	
DOCUMENT NOT CONSIDERED FINAL UNLESS ALL SIGNATURES COMPLETED	

Prepared in the offices of:  
  
**RAMEY KEMP ASSOCIATES, INC.**  
 Transportation Engineers  
 5808 Farrington Place, Suite 100  
 Raleigh, North Carolina 27609  
 919-872-5115 Tel. 919-878-5416 Fax.  
 www.rameykemp.com

**PAVEMENT MARKING DETAIL**