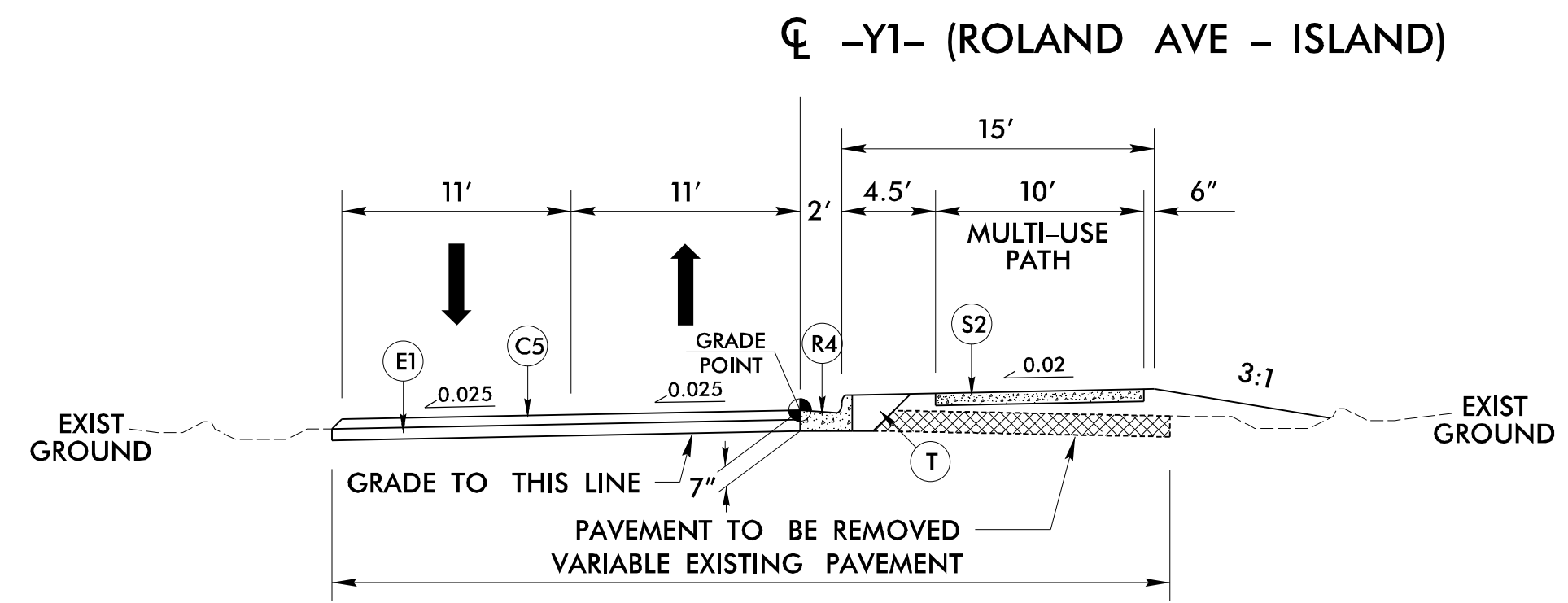


6/2/2016

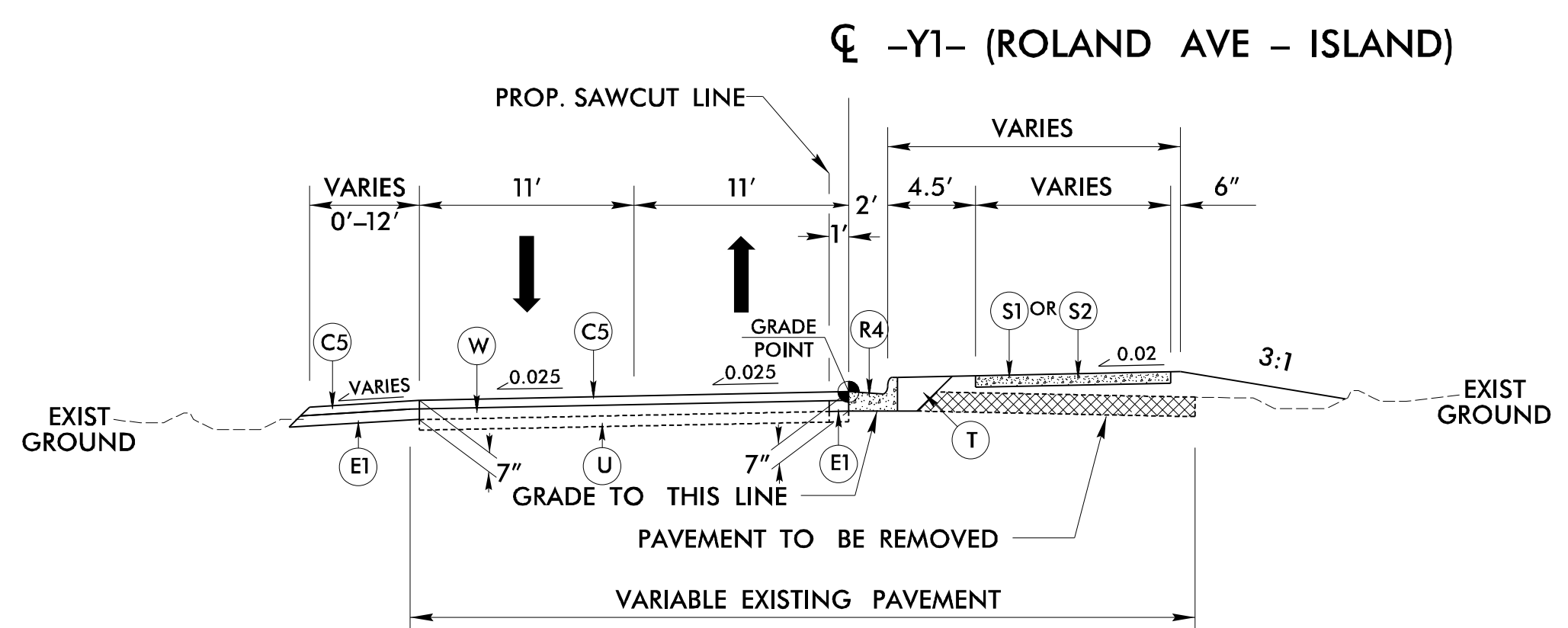
PAVEMENT SCHEDULE	
C1	PROP. APPROX. 1½" ASPHALT CONCRETE SURFACE COURSE, TYPE S9.5B, AT AN AVERAGE RATE OF 168 LBS. PER SQ. YD.
C2	PROP. APPROX. 3" ASPHALT CONCRETE SURFACE COURSE, TYPE S9.5B, AT AN AVERAGE RATE OF 168 LBS. PER SQ. YD. IN EACH OF TWO LAYERS.
C3	PROP. VAR. ASPHALT CONCRETE SURFACE COURSE, TYPE S9.5B, AT AN AVERAGE RATE OF 112 LBS. PER SQ. YD. PER 1" DEPTH TO BE PLACED IN LAYERS NOT LESS THAN 1½" IN DEPTH OR GREATER THAN 2" IN DEPTH.
C4	PROP. APPROX. 1½" ASPHALT CONCRETE SURFACE COURSE, TYPE SF9.5A, AT AN AVERAGE RATE OF 165 LBS. PER SQ. YD.
C5	PROP. APPROX. 3" ASPHALT CONCRETE SURFACE COURSE, TYPE SF9.5A, AT AN AVERAGE RATE OF 165 LBS. PER SQ. YD. IN EACH OF TWO LAYERS.
C6	PROP. VAR. ASPHALT CONCRETE SURFACE COURSE, TYPE SF9.5A, AT AN AVERAGE RATE OF 110 LBS. PER SQ. YD. PER 1" DEPTH. TO BE PLACED IN LAYERS NOT LESS THAN 1" IN DEPTH OR GREATER THAN 1½" IN DEPTH.
C7	PROP. APPROX. 1¼" ASPHALT CONCRETE SURFACE COURSE, TYPE SF9.5A, AT AN AVERAGE RATE OF 137.5 LBS. PER SQ. YD.
D1	PROP. APPROX. 4" ASPHALT CONCRETE INTERMEDIATE COURSE, TYPE I19.0B, AT AN AVERAGE RATE OF 456 LBS. PER SQ. YD.
D2	PROP. VAR. ASPHALT CONCRETE INTERMEDIATE COURSE, TYPE I19.0B, AT AN AVERAGE RATE OF 114 LBS. PER SQ. YD. PER 1" DEPTH. TO BE PLACED IN LAYERS NOT LESS THAN 2½" IN DEPTH OR GREATER THAN 4" IN DEPTH.
E1	PROP. APPROX. 4" ASPHALT CONCRETE BASE COURSE, TYPE B25.0B, AT AN AVERAGE RATE OF 456 LBS. PER SQ. YD.
E2	PROP. VAR. ASPHALT CONCRETE BASE COURSE, TYPE B25.0B, AT AN AVERAGE RATE OF 114 LBS. PER SQ. YD. PER 1" DEPTH. TO BE PLACED IN LAYERS NOT LESS THAN 4" IN DEPTH OR GREATER THAN 5½" IN DEPTH.
J1	6" ABC
R1	5" MONOLITHIC CONCRETE ISLAND (KEYED IN)
R2	9" X 18" CONCRETE CURB
R3	1'-6" CONCRETE CURB AND GUTTER
R4	2'-6" CONCRETE CURB AND GUTTER
R5	32" VERTICAL CONCRETE BARRIER
R6	7" JOINTED CONCRETE (WITHOUT DOWELS) REINFORCED WITH A W3.5 X W3.5 OR W5 X W5 WIRE MESH
S1	4" CONCRETE SIDEWALK
S2	4" CONCRETE MULTI-USE PATH
T	EARTH MATERIAL
U	EXISTING PAVEMENT
V	MILLING BITUMINOUS PAVEMENT 1.5" DEPTH
W	VARIABLE DEPTH ASPHALT PAVEMENT (SEE STANDARD WEDGING DETAIL SHEET No. 2A-8)

NOTE: PAVEMENT EDGE SLOPES ARE 1:1 UNLESS SHOWN OTHERWISE.



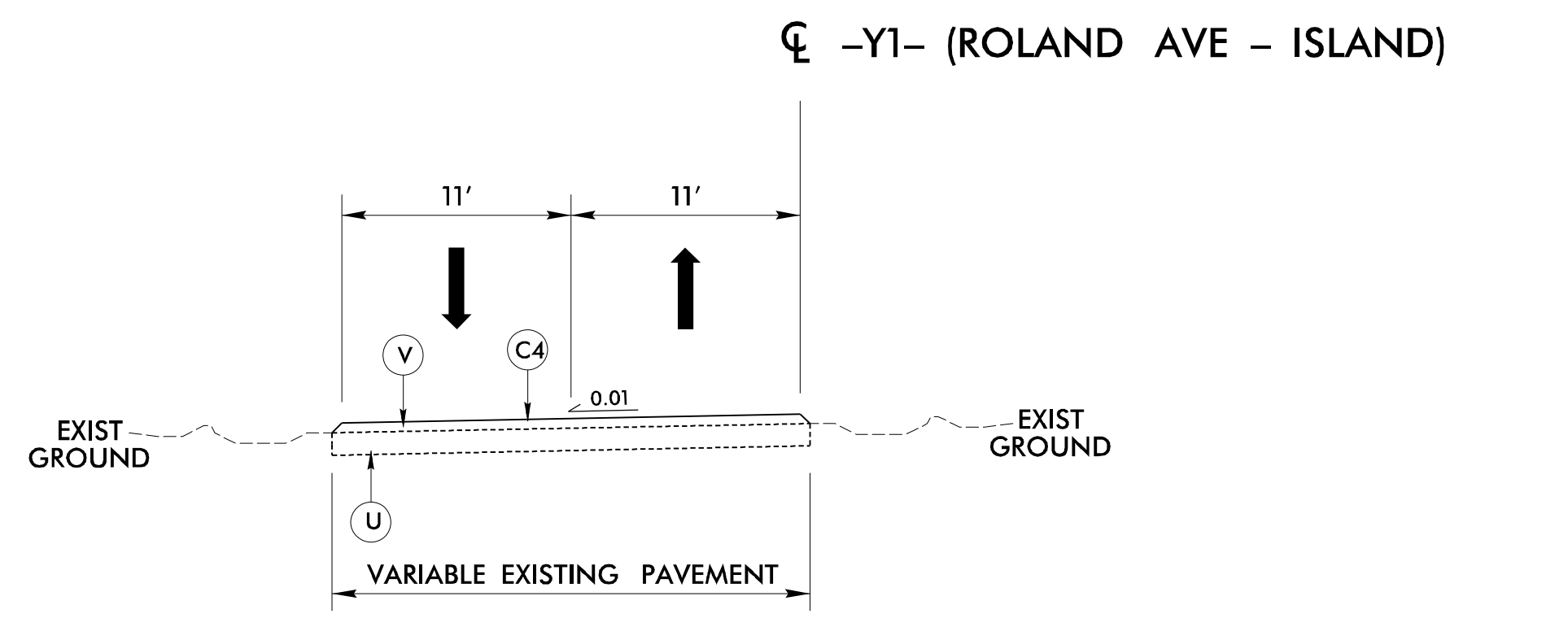
TYPICAL SECTION NO. 14

USE TYPICAL SECTION NO. 14  
-Y1- STA. 35+95.62 TO STA. 36+75.00



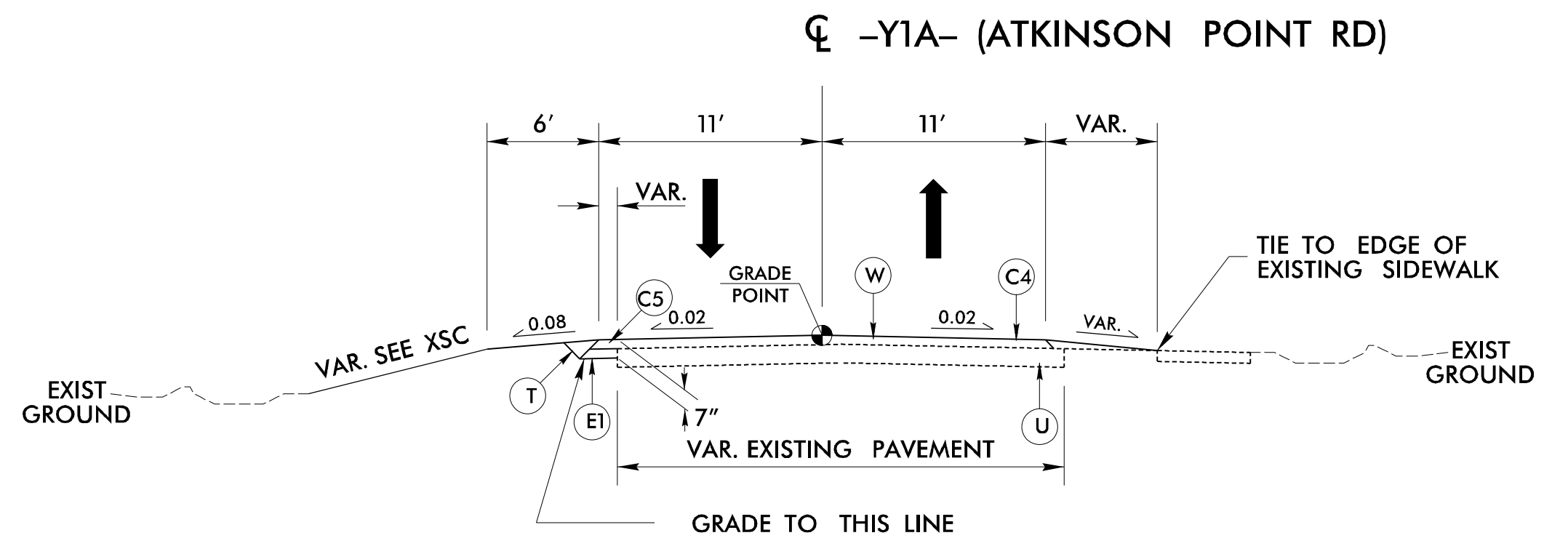
TYPICAL SECTION NO. 15

USE TYPICAL SECTION NO. 15  
-Y1- STA. 36+75.00 TO STA. 48+06.53



TYPICAL SECTION NO. 16

USE TYPICAL SECTION NO. 16  
-Y1- STA. 48+72.07 TO STA. 53+75.20  
MILL AND OVERLAY ONLY



TYPICAL SECTION NO. 17

USE TYPICAL SECTION NO. 17  
-Y1A- STA. 12+90.00 TO -Y1A- STA. 13+84.00  
SEE DETAIL ON SHEET 2A-8 FOR  
LIMITS OF INCIDENTAL MILLING & RESURFACING

PROJECT REFERENCE NO. B-4929	SHEET NO. 2A-5
ROADWAY DESIGN ENGINEER [Signature]	PAVEMENT DESIGN ENGINEER [Signature]
<p>DOCUMENT NOT CONSIDERED FINAL UNLESS ALL SIGNATURES COMPLETED</p>	



4/26/2016  
 R:\4929\B4929\Proj\B4929\_Rdy\_tup.dgn  
 8:41:28 AM