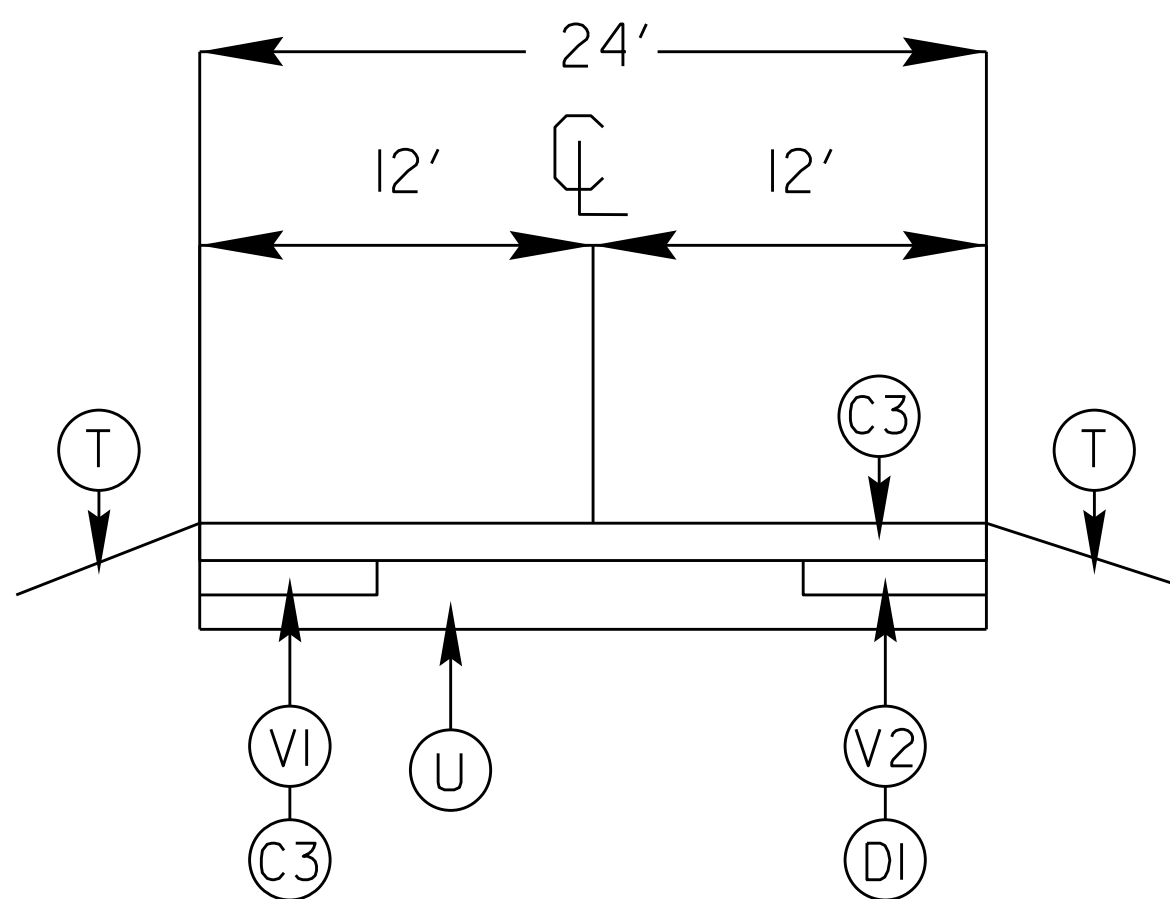


PROJECT REFERENCE NO.		SHEET NO.
2017CPT.14.01.10441.1.ETC		20
STATE PROJECT	F.A. PROJECT NO.	DESCRIPTION

# TYPICAL 5



# TYPICAL 6

