

**This electronic collection of documents is provided  
for the convenience of the user  
and is Not a Certified Document –**

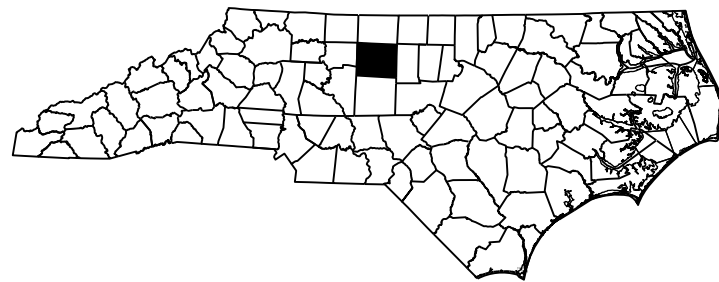
**The documents contained herein were originally issued  
and sealed by the individuals whose names and license  
numbers appear on each page, on the dates appearing  
with their signature on that page.**

**This file or an individual page  
shall not be considered a certified document.**

PROJECT: I-5821

CONTRACT NO:

STATE	STATE PROJECT REFERENCE NO.	SHEET NO.	TOTAL SHEETS
N.C.	I-5821	1	
STATE PROJ. NO.	F.A. PROJ. NO.	DESCRIPTION	
50464.1.1	NHPIM-0085(5)116	PE	
50464.3.1	NHPIM-0085(5)116	CONST	

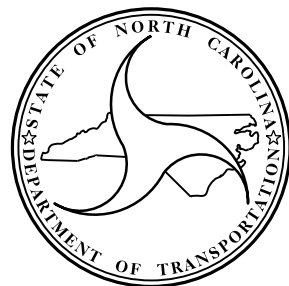
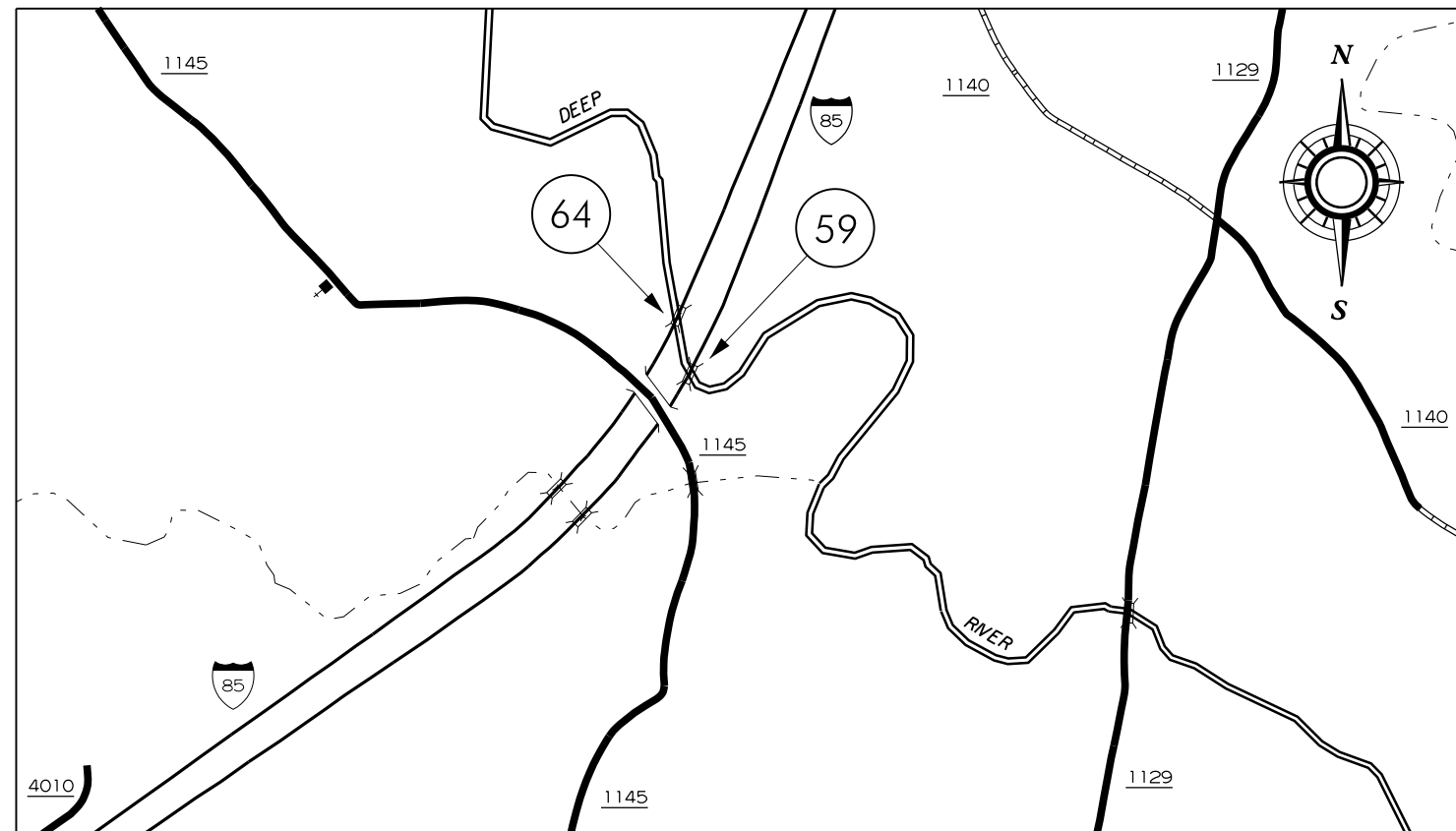


STATE OF NORTH CAROLINA  
DIVISION OF HIGHWAYS

**GUILFORD COUNTY**

LOCATION: BRIDGE #59 ON I-85 (NORTH) OVER DEEP RIVER  
BRIDGE #64 ON I-85 (SOUTH) OVER DEEP RIVER

TYPE OF WORK: BRIDGE PRESERVATION - EPOXY OVERLAY & JOINT DEMOLITION  
OF EXISTING BRIDGE DECKS.



DESIGN DATA

#59 ADT 2012 = 24,500  
#64 ADT 2012 = 24,500

PROJECT LENGTH

BRIDGE #59 = 0.06 MILE  
BRIDGE #64 = 0.06 MILE

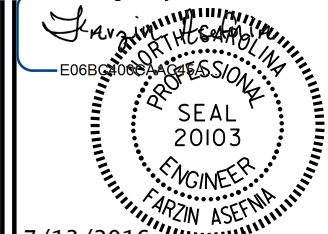
Prepared in the Office of:  
**DEPARTMENT OF TRANSPORTATION**  
**DIVISION OF HIGHWAYS**  
STRUCTURES MANAGEMENT UNIT  
1000 BIRCH RIDGE DR. RALEIGH, N.C. 27610

**E. E. MURRAY, P.E.**  
PROJECT ENGINEER

2012 STANDARD SPECIFICATIONS

LETTING DATE:  
AUGUST 16, 2016

DocuSigned by:

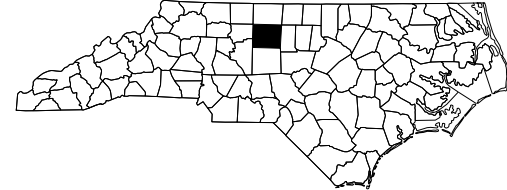


7/13/2016

**FARZIN ASEFNIA, P.E.**  
PROJECT DESIGN ENGINEER

**PROJECT: I-5821**

**CONTRACT: 50646.1.1**



STATE OF NORTH CAROLINA  
DIVISION OF HIGHWAYS

**GUILFORD COUNTY**

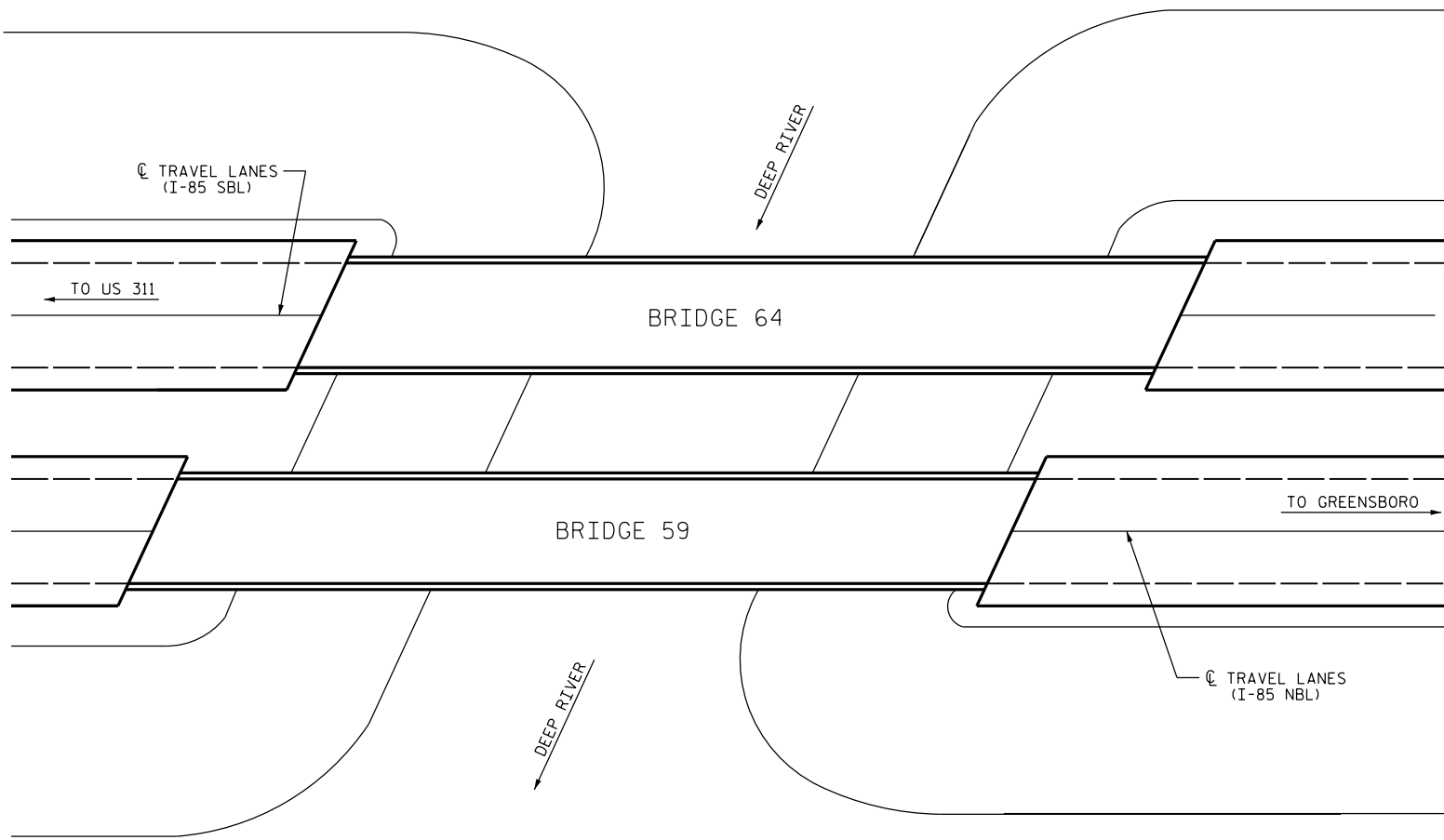
**LOCATION: BRIDGE #59 ON I-85 (NORTH) OVER DEEP RIVER  
BRIDGE #64 ON I-85 (SOUTH) OVER DEEP RIVER**

**TYPE OF WORK: BRIDGE PRESERVATION - EPOXY OVERLAY & JOINT DEMOLITION  
OF EXISTING BRIDGE DECKS.**

STATE	STATE PROJECT REFERENCE NO.	SHEET NO.	TOTAL SHEETS
N.C.	I-5821	1A	
STATE PROJ. NO.	F.A. PROJ. NO.	DESCRIPTION	
50464.1.1	NHPIM-0085(5)116	P.E.	
50464.3.1	NHPIM-0085(5)116	CONST.	

**INDEX OF SHEETS**

- 1**      **TITLE SHEET**
- 1A**     **INDEX OF SHEETS**
- S-1 - S-6** **STRUCTURAL PLANS**
- SN**     **STANDARD NOTES**



LOCATION SKETCH

**NOTES**

EXISTING DIMENSIONS AND BRIDGE CONDITION ARE FROM BEST INFORMATION AVAILABLE. THE CONTRACTOR SHALL FIELD VERIFY THE INFORMATION SHOWN ON THE PLANS AND NOTIFY THE ENGINEER IF ACTUAL DIMENSIONS AND CONDITIONS DIFFER.

EXISTING JOINTS AND DECK DRAINS SHALL BE SEALED PRIOR TO BEGINNING SURFACE PREPARATION OF BRIDGE DECK.

IT IS THE CONTRACTOR'S RESPONSIBILITY TO FOLLOW ALL STATE AND FEDERAL SAFETY REQUIREMENTS.

FOR CONTROL OF TRAFFIC AND LIMITS ON PHASING OF CONSTRUCTION, SEE TRANSPORTATION MANAGEMENT PLAN SHEETS.

LONGITUDINAL CONSTRUCTION JOINTS OF OVERLAYS SHALL BE LOCATED ALONG THE CENTERLINE OR EDGE OF TRAVEL LANES.

FOR SUBMITTAL OF WORKING DRAWINGS, SEE SPECIAL PROVISIONS.

FOR FALSEWORK AND FORMWORK, SEE SPECIAL PROVISIONS.

FOR CRANE SAFETY, SEE SPECIAL PROVISIONS.

FOR GROUT FOR STRUCTURES, SEE SPECIAL PROVISIONS.

FOR EPOXY OVERLAY SYSTEM-MECHANICALLY DISTRIBUTED, SEE SPECIAL PROVISIONS.

FOR CONCRETE DECK REPAIR FOR EPOXY OVERLAY SYSTEM, SEE SPECIAL PROVISIONS.

FOR BRIDGE JOINT DEMOLITION, SEE SPECIAL PROVISIONS.

FOR ELASTOMERIC CONCRETE, SEE SPECIAL PROVISIONS.

FOR FOAM JOINT SEALS, SEE SPECIAL PROVISIONS.

**TOTAL BILL OF MATERIAL**

GUILFORD COUNTY BRIDGE NO.	FOAM JOINT SEALS	*CONCRETE DECK REPAIR FOR EPOXY OVERLAY	EPOXY OVERLAY SYSTEM-MECHANICALLY DISTRIBUTED	ELASTOMERIC CONCRETE	BRIDGE JOINT DEMOLITION
	LUMP SUM	SQ. FT.	SQ. FT.	CU. FT.	SQ. FT.
59	LUMP SUM	5	19,103	62	248
64	LUMP SUM	5	20,206	73	292
<b>TOTAL</b>	LUMP SUM	10	39,309	135	540

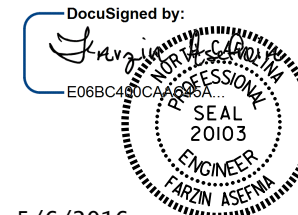
\* CONCRETE DECK REPAIR FOR EPOXY OVERLAY IS NOT ANTICIPATED, TOKEN PAY ITEMS ARE INDICATED FOR PRICING PURPOSE IN CASE UNANTICIPATED REPAIR AREAS ARE ENCOUNTERED.

PROJECT NO. I-5821  
GUILFORD COUNTY  
BRIDGE NO. 59 & 64

SHEET 2 OF 2

STATE OF NORTH CAROLINA  
DEPARTMENT OF TRANSPORTATION  
RALEIGH

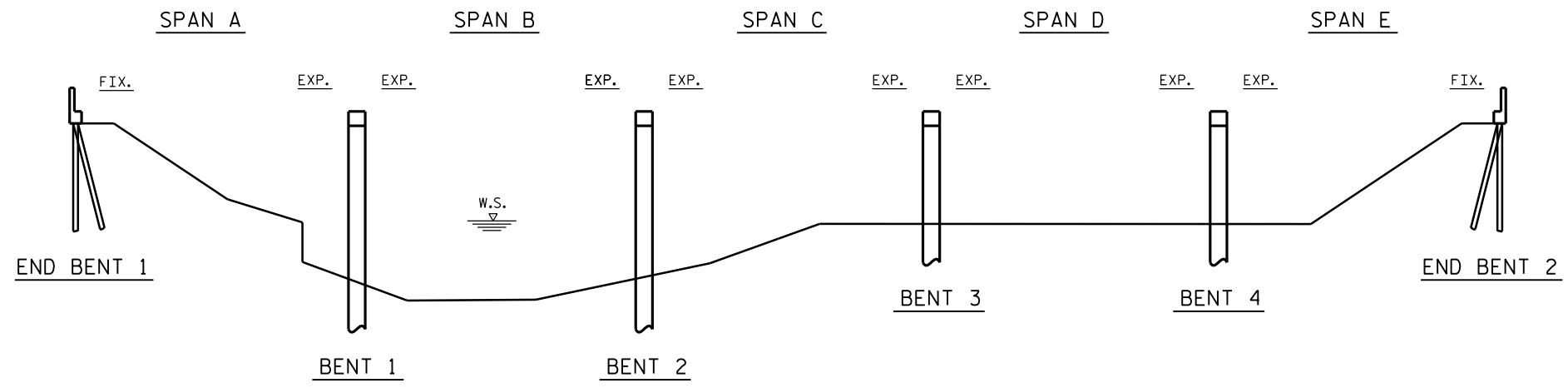
**GENERAL DRAWING**  
BRIDGE NO. 59 & 64  
ON I-85 OVER  
DEEP RIVER



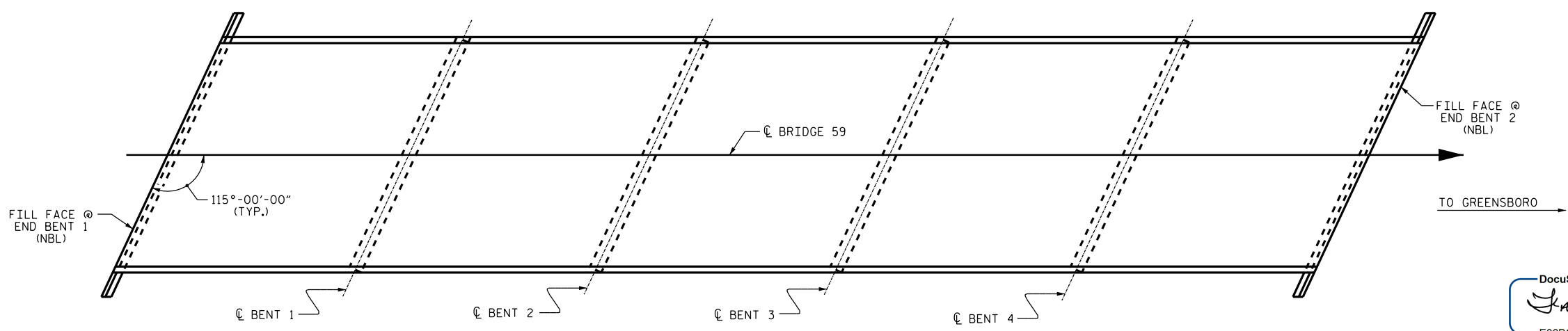
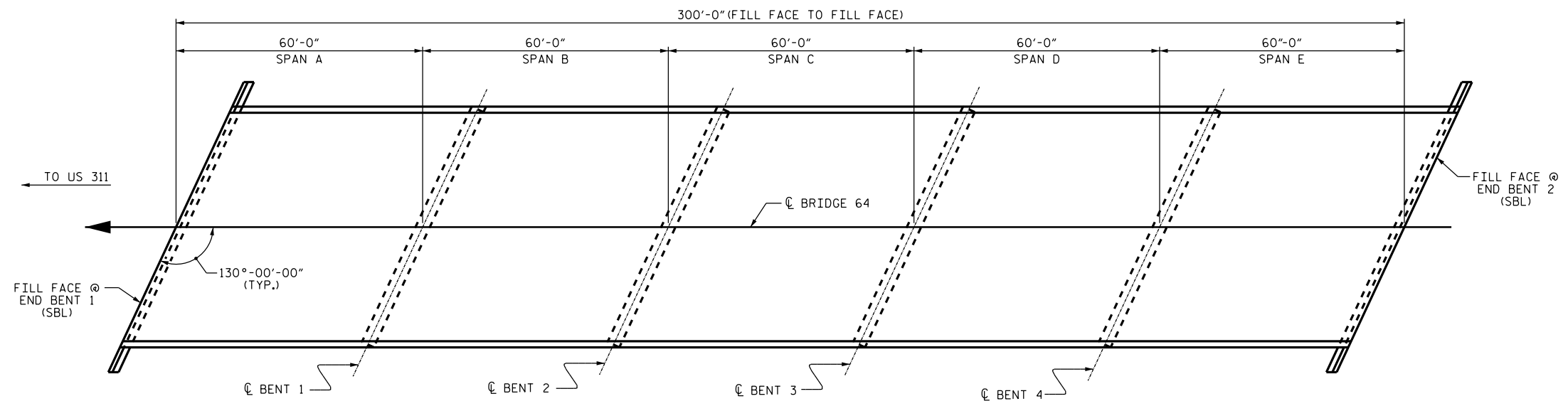
5/6/2016

REVISIONS						SHEET NO.
NO.	BY:	DATE:	NO.	BY:	DATE:	S-1
1			3			TOTAL SHEETS
2			4			6

DRAWN BY : M.K. BEARD DATE : 1/12/16  
CHECKED BY : W.C. SMITH DATE : 1/20/16



**ELEVATION**  
SECTION ALONG C ROADWAY



**PLAN**  
NORTH AND SOUTH BOUND LANES



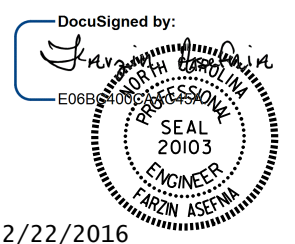
PROJECT NO. I-5821  
GUILFORD COUNTY  
 BRIDGE NO. 59 & 64

SHEET 1 OF 2

STATE OF NORTH CAROLINA  
 DEPARTMENT OF TRANSPORTATION  
 RALEIGH

**GENERAL DRAWING**

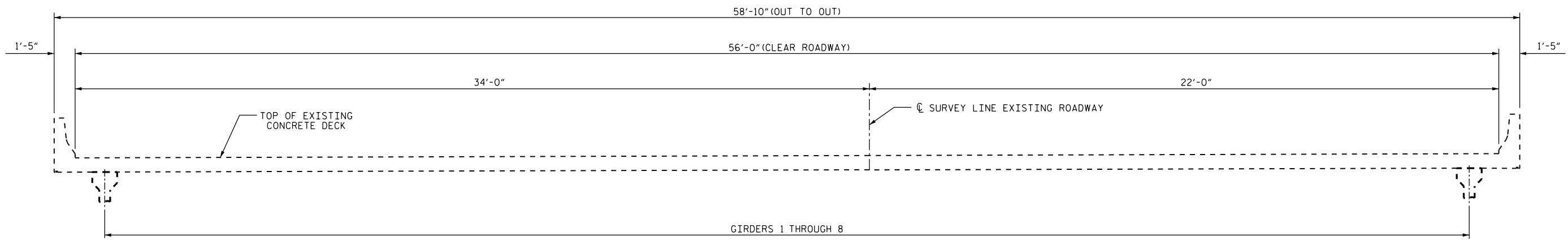
BRIDGE #59 & #64  
 ON I-85 OVER  
 DEEP RIVER



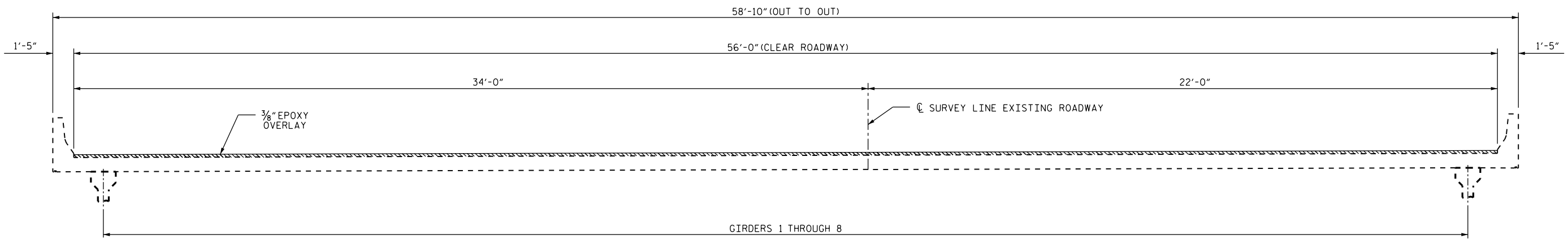
DRAWN BY : M.K. BEARD DATE : 1/12/16  
 CHECKED BY : W. C. SMITH DATE : 1/12/16

REVISIONS						SHEET NO.
NO.	BY:	DATE:	NO.	BY:	DATE:	S-2
1			3			TOTAL SHEETS
2			4			6

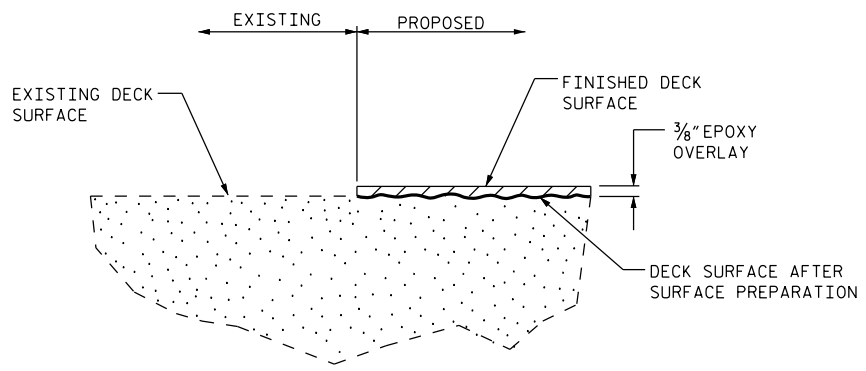
19-FEB-2016 13:28  
 R:\Structures\DCM\401.007.I5821.SMU.S2.G0.dgn  
 fosefnila



**TYPICAL SECTION**  
 (EXISTING BRIDGE 64 SOUTHBOUND LANES SHOWN -  
 BRIDGE 59 NORTHBOUND LANE SIMILAR BY ROTATION)



**TYPICAL SECTION**  
 (EPOXY OVERLAY)



**DETAIL OF EPOXY OVERLAY**

PROJECT NO. I-5821  
GUILFORD COUNTY  
 BRIDGE NO. 59 & 64

STATE OF NORTH CAROLINA DEPARTMENT OF TRANSPORTATION RALEIGH						SHEET NO.
TYPICAL SECTIONS & EPOXY OVERLAY DETAILS						S-3
REVISIONS						TOTAL SHEETS
NO.	BY:	DATE:	NO.	BY:	DATE:	6
1			3			
2			4			

DocuSigned by:  
*Farzin Asefma*  
 E06BC400...  
 PROFESSIONAL ENGINEER  
 SEAL 20103  
 FARZIN ASEFMA  
 2/22/2016

DRAWN BY : M.K. BEARD DATE : 1/19/16  
 CHECKED BY : W. C. SMITH DATE : 1/27/16

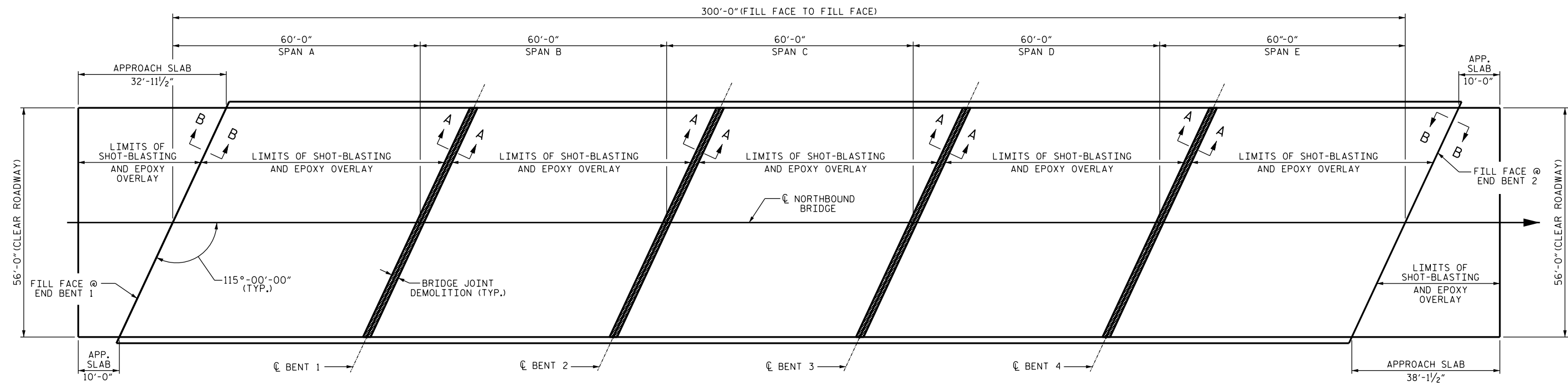
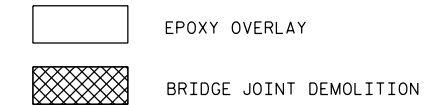
19-FEB-2016 13:28  
 R:\Structures\DN\401.009.I5821.SMU.S3.TS.dgn  
 fosefnla

SUMMARY OF QUANTITIES

	ESTIMATE	ACTUAL
CONCRETE DECK REPAIR FOR EPOXY OVERLAY	*5 SQ. FT.	
EPOXY OVERLAY SYSTEM	19,103 SQ. FT.	
BRIDGE JOINT DEMOLITION	248 SQ. FT.	

NOTE:

\* CONCRETE DECK REPAIR FOR EPOXY OVERLAY IS NOT ANTICIPATED. TOKEN PAY ITEMS ARE INDICATED FOR PRICING PURPOSE IN CASE UNANTICIPATED REPAIR AREAS ARE ENCOUNTERED.



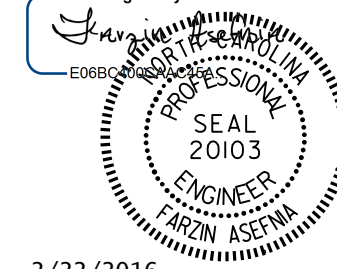
PLAN

(FOR SECTIONS A-A & B-B, SEE "JOINT DETAILS SHEET S-6")

PROJECT NO. I-5821  
GUILFORD COUNTY  
 BRIDGE NO. 59

SHEET 1 OF 2

DocuSigned by:



2/22/2016

STATE OF NORTH CAROLINA  
 DEPARTMENT OF TRANSPORTATION  
 RALEIGH  
**SURFACE PREPARATION & EPOXY OVERLAY**  
 (NORTHBOUND)

REVISIONS						SHEET NO.	
NO.	BY:	DATE:	NO.	BY:	DATE:	S-4	
1			3			TOTAL SHEETS	
2			4			6	

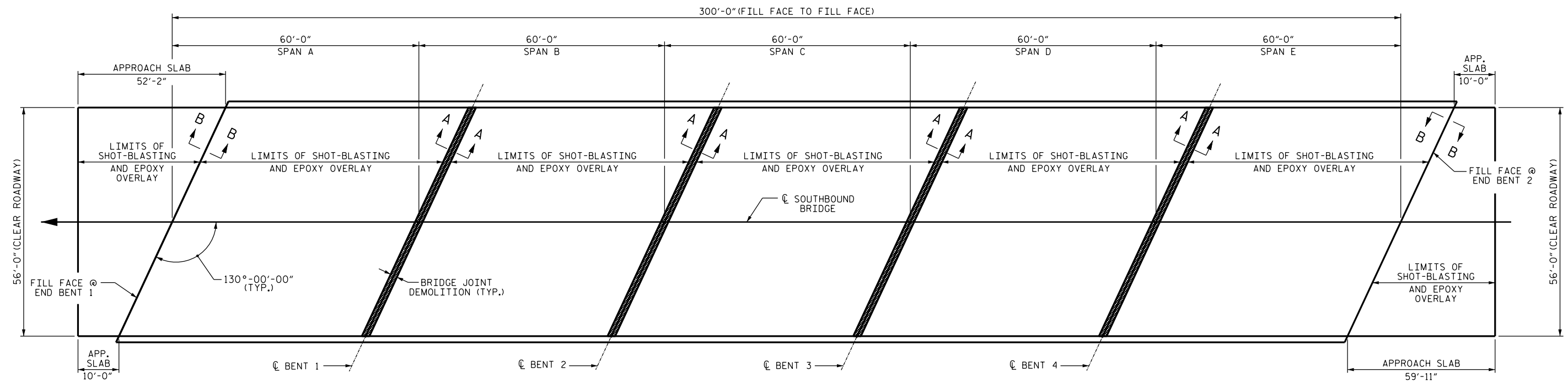
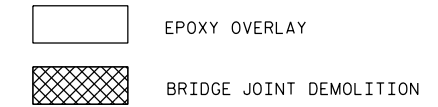
DRAWN BY : M.K. BEARD DATE : 1/13/16  
 CHECKED BY : W.C. SMITH DATE : 1/20/16

SUMMARY OF QUANTITIES

	ESTIMATE	ACTUAL
CONCRETE DECK REPAIR FOR EPOXY OVERLAY	*5 SQ. FT.	
EPOXY OVERLAY SYSTEM	20,206 SQ. FT.	
BRIDGE JOINT DEMOLITION	292 SQ. FT.	

NOTE:

\* CONCRETE DECK REPAIR FOR EPOXY OVERLAY IS NOT ANTICIPATED. TOKEN PAY ITEMS ARE INDICATED FOR PRICING PURPOSE IN CASE UNANTICIPATED REPAIR AREAS ARE ENCOUNTERED.



PLAN

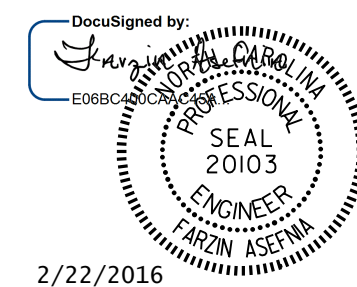
(FOR SECTIONS A-A & B-B, SEE "JOINT DETAILS SHEET S-6")

PROJECT NO. I-5821

GUILFORD COUNTY

BRIDGE NO. 64

SHEET 2 OF 2



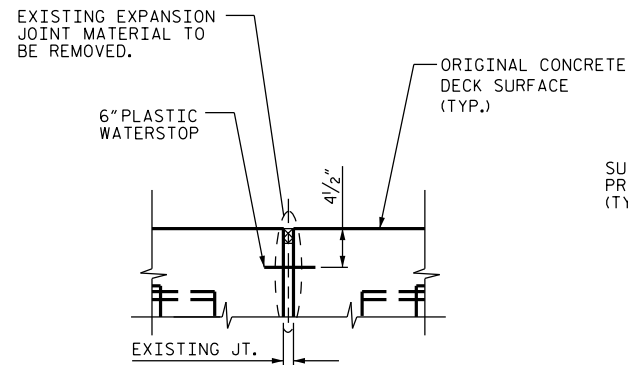
STATE OF NORTH CAROLINA  
DEPARTMENT OF TRANSPORTATION  
RALEIGH  
SURFACE PREPARATION  
& EPOXY OVERLAY  
(SOUTHBOUND)

REVISIONS						SHEET NO.
NO.	BY:	DATE:	NO.	BY:	DATE:	S-5
1			3			TOTAL SHEETS
2			4			6

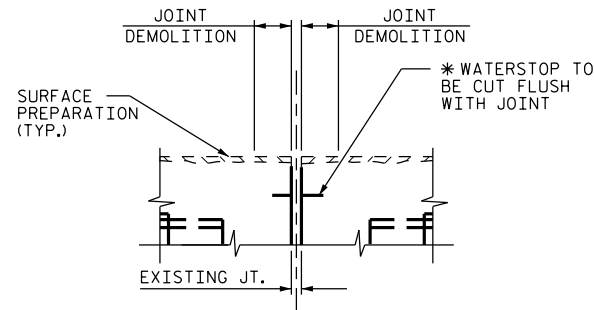
DRAWN BY : M.K. BEARD DATE : 1/13/16  
 CHECKED BY : W.C. SMITH DATE : 1/20/16

2/22/2016

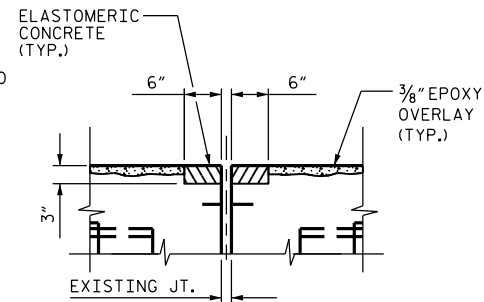




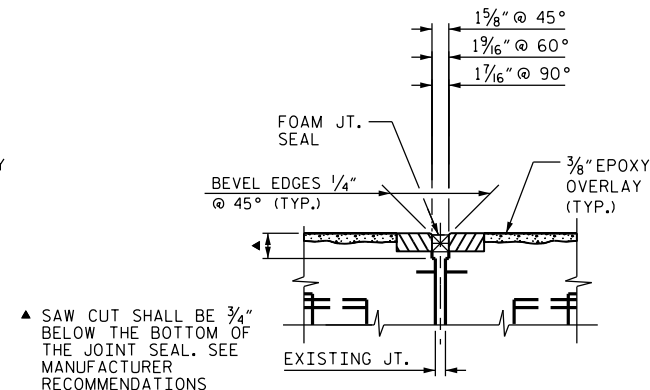
EXISTING JOINT



MINIMUM EXISTING JOINT DEMOLITION



PROPOSED JOINT PRE-SAW DIMENSIONS



PROPOSED FOAM JOINT SEAL EXPANSION ALL BENTS

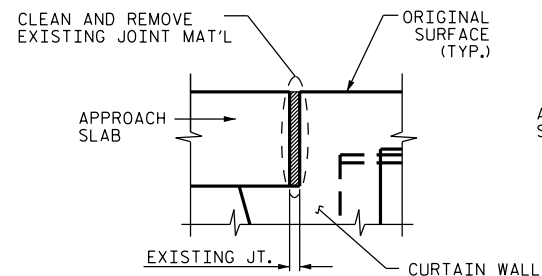
▲ SAW CUT SHALL BE 3/4" BELOW THE BOTTOM OF THE JOINT SEAL. SEE MANUFACTURER RECOMMENDATIONS

**NOTES:**  
 CONTRACTOR SHALL FIELD VERIFY THE EXISTING FORMED OPENING PRIOR TO OBTAINING JOINT MATERIAL.  
 IF THE EMBEDDED PORTION OF THE EXISTING PLASTIC WATERSTOP IS EXPOSED DURING REMOVAL OF UNSOUND CONCRETE OR IF UNSOUND CONCRETE IS REMOVED TO WITHIN 2" OF THE WATERSTOP, THE ENTIRE WATERSTOP SHALL BE REMOVED.  
 HYDRO-DEMOLITION OR EXCAVATION OF CONCRETE AT THE EXISTING JOINT SHALL RESULT IN THE BOTTOM OF THE EXCAVATION BEING REASONABLY FLAT, TO PROVIDE SUFFICIENT SUBSTRATE FOR PLACEMENT AND SUPPORT OF ELASTOMERIC CONCRETE.  
 FOR FOAM JOINT SEALS, SEE SPECIAL PROVISIONS.  
 FOR ELASTOMERIC CONCRETE, SEE SPECIAL PROVISIONS.  
 RETAIN ALL EXISTING REINFORCING STEEL, CLEAN AND REPAIR AS NEEDED.  
 THE WIDTH OF THE UNCOMPRESSED FOAM JOINT MATERIAL SHALL BE 2".

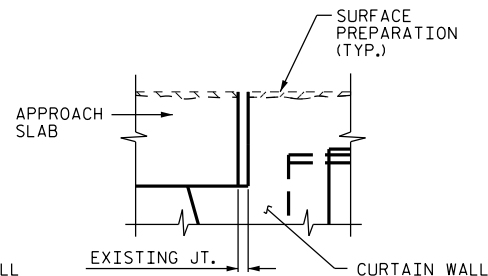
ELASTOMERIC CONCRETE	
BRIDGE 59	62.0 CU. FT.
BRIDGE 64	73.0 CU. FT.
* TOTAL	135.0 CU. FT.

\* BASED ON THE MINIMUM BLOCKOUT SHOWN.

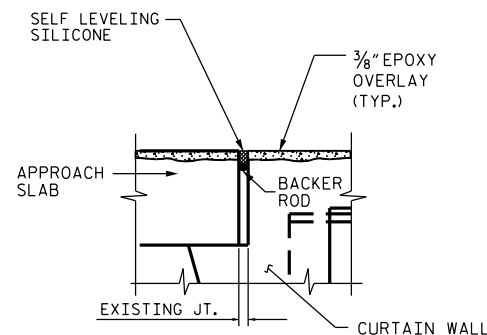
**JOINT INSTALLATION SEQUENCE AT BENTS SECTION A-A**



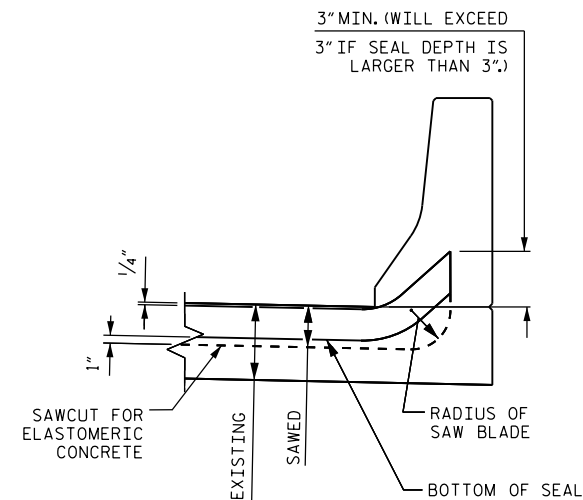
EXISTING COLD JOINT



MINIMUM EXISTING JOINT DEMOLITION

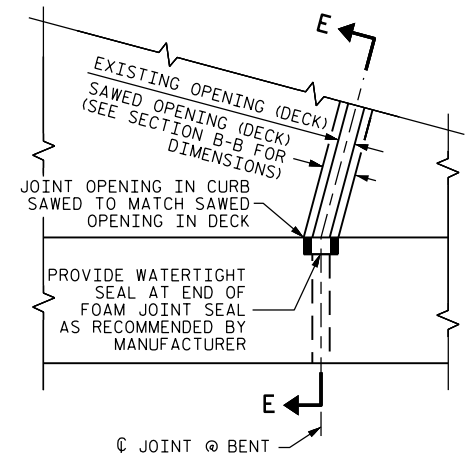


PROPOSED JOINT



SECTION E-E

**JOINT SEAL DETAILS AT BENTS**



SECTION E-E

**JOINT INSTALLATION SEQUENCE AT END BENTS SECTION B-B**

PROJECT NO. I-5821  
 GUILFORD COUNTY  
 BRIDGE NO.: 59 & 64

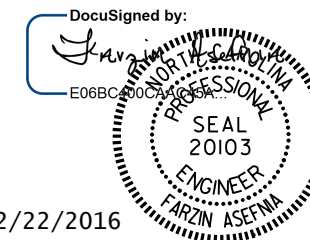
STATE OF NORTH CAROLINA  
 DEPARTMENT OF TRANSPORTATION  
 RALEIGH

**SUPERSTRUCTURE JOINT DETAILS**

REVISIONS						SHEET NO.	
NO.	BY:	DATE:	NO.	BY:	DATE:	S-6	
1			3			TOTAL SHEETS	
2			4			6	

DRAWN BY : M.K. BEARD DATE : 1/13/16  
 CHECKED BY : W.C. SMITH DATE : 1/20/16

2/22/2016



## STANDARD NOTES

### DESIGN DATA:

SPECIFICATIONS	-----	A.A.S.H.T.O. (CURRENT)
LIVE LOAD	-----	SEE PLANS
IMPACT ALLOWANCE	-----	SEE A.A.S.H.T.O.
STRESS IN EXTREME FIBER OF		
STRUCTURAL STEEL - AASHTO M270 GRADE 36	-	20,000 LBS. PER SQ. IN.
- AASHTO M270 GRADE 50W	-	27,000 LBS. PER SQ. IN.
- AASHTO M270 GRADE 50	-	27,000 LBS. PER SQ. IN.
REINFORCING STEEL IN TENSION		
GRADE 60	--	24,000 LBS. PER SQ. IN.
CONCRETE IN COMPRESSION	-----	1,200 LBS. PER SQ. IN.
CONCRETE IN SHEAR	-----	SEE A.A.S.H.T.O.
STRUCTURAL TIMBER - TREATED OR		
UNTREATED - EXTREME FIBER STRESS	-----	1,800 LBS. PER SQ. IN.
COMPRESSION PERPENDICULAR TO GRAIN OF TIMBER	-----	375 LBS. PER SQ. IN.
EQUIVALENT FLUID PRESSURE OF EARTH	-----	30 LBS. PER CU. FT. (MINIMUM)

### MATERIAL AND WORKMANSHIP:

EXCEPT AS MAY OTHERWISE BE SPECIFIED ON PLANS OR IN THE SPECIAL PROVISIONS, ALL MATERIAL AND WORKMANSHIP SHALL BE IN ACCORDANCE WITH THE 2012 "STANDARD SPECIFICATIONS FOR ROADS AND STRUCTURES" OF THE N. C. DEPARTMENT OF TRANSPORTATION.

STEEL SHEET PILING FOR PERMANENT OR TEMPORARY APPLICATIONS SHALL BE HOT ROLLED.

### CONCRETE:

UNLESS OTHERWISE REQUIRED ON PLANS, CLASS A CONCRETE SHALL BE USED FOR ALL PORTIONS OF ALL STRUCTURES WITH THE EXCEPTION THAT: CLASS AA CONCRETE SHALL BE USED IN BRIDGE SUPERSTRUCTURES, ABUTMENT BACKWALLS, AND APPROACH SLABS; AND CLASS B CONCRETE SHALL BE USED FOR SLOPE PROTECTION AND RIP RAP.

### CONCRETE CHAMFERS:

UNLESS OTHERWISE NOTED ON THE PLANS, ALL EXPOSED CORNERS ON STRUCTURES SHALL BE CHAMFERED 3/4" WITH THE FOLLOWING EXCEPTIONS: TOP CORNERS OF CURBS MAY BE ROUNDED TO 1-1/2" RADIUS WHICH IS BUILT INTO CURB FORMS; CORNERS OF TRANSVERSE FLOOR EXPANSION JOINTS SHALL BE ROUNDED WITH A 1/4" FINISHING TOOL UNLESS OTHERWISE REQUIRED ON PLANS; AND CORNERS OF EXPANSION JOINTS IN THE ROADWAY FACES AND TOPS OF CURBS AND SIDEWALKS SHALL BE ROUNDED TO A 1/4" RADIUS WITH A FINISHING STONE OR TOOL UNLESS OTHERWISE REQUIRED ON PLANS.

### DOWELS:

DOWELS WHEN INDICATED ON PLANS AS FOR CULVERT EXTENSIONS, SHALL BE EMBEDDED AT LEAST 12" INTO THE OLD CONCRETE AND GROUTED INTO PLACE WITH 1:2 CEMENT MORTAR.

### ALLOWANCE FOR DEAD LOAD DEFLECTION, SETTLEMENT, ETC. IN CASTING SUPERSTRUCTURES:

BRIDGES SHALL BE BUILT ON THE GRADE OR VERTICAL CURVE SHOWN ON PLANS. SLABS, CURBS AND PARAPETS SHALL CONFORM TO THE GRADE OR CURVE.  
ALL DIMENSIONS WHICH ARE GIVEN IN SECTION AND ARE AFFECTED BY DEAD LOAD DEFLECTIONS ARE DIMENSIONS AT CENTER LINE OF BEARING UNLESS OTHERWISE NOTED ON PLANS. IN SETTING FORMS FOR STEEL BEAM BRIDGES AND PRESTRESSED CONCRETE GIRDER BRIDGES, ADJUSTMENTS SHALL BE MADE DUE TO THE DEAD LOAD DEFLECTIONS FOR THE ELEVATIONS SHOWN. WHERE BLOCKS ARE SHOWN OVER BEAMS FOR BUILDING UP TO THE SLAB, THE VERTICAL DIMENSIONS OF THE BLOCKS SHALL BE ADJUSTED BETWEEN BEARINGS TO COMPENSATE FOR DEAD LOAD DEFLECTIONS, VERTICAL CURVE ORDINATE, AND ACTUAL BEAM CAMBER. WHERE BOTTOM OF SLAB IS IN LINE WITH BOTTOM OF TOP FLANGES, DEPTH OF SLAB BETWEEN BEARINGS SHALL BE ADJUSTED TO COMPENSATE FOR DEAD LOAD DEFLECTION, VERTICAL CURVE ORDINATE, AND ACTUAL BEAM CAMBER.  
IN SETTING FALSEWORK AND FORMS FOR REINFORCED CONCRETE SPANS, AN ALLOWANCE SHALL BE MADE FOR DEAD LOAD DEFLECTIONS, SETTLEMENT OF FALSEWORK, AND PERMANENT CAMBER WHICH SHALL BE PROVIDED FOR IN ADDITION TO THE ELEVATIONS SHOWN. AFTER REMOVAL OF THE FALSEWORK, THE FINISHED STRUCTURES SHALL CONFORM TO THE PROFILE AND ELEVATIONS SHOWN ON THE PLANS AND CONSTRUCTION ELEVATIONS FURNISHED BY THE ENGINEER.  
DETAILED DRAWINGS FOR FALSEWORK OR FORMS FOR BRIDGE SUPERSTRUCTURE AND ANY STRUCTURE OR PARTS OF A STRUCTURE AS NOTED ON THE PLANS SHALL BE SUBMITTED TO THE ENGINEER FOR APPROVAL BEFORE CONSTRUCTION OF THE FALSEWORK OR FORMS IS STARTED.

### REINFORCING STEEL:

ALL REINFORCING STEEL SHALL BE DEFORMED. DIMENSIONS RELATIVE TO PLACEMENT OF REINFORCING ARE TO CENTERS OF BARS UNLESS OTHERWISE INDICATED IN THE PLANS. DIMENSIONS ON BAR DETAILS ARE TO CENTERS OF BARS OR ARE OUT TO OUT AS INDICATED ON PLANS.  
WIRE BAR SUPPORTS SHALL BE PROVIDED FOR REINFORCING STEEL WHERE INDICATED ON THE PLANS. WHEN BAR SUPPORT PIECES ARE PLACED IN CONTINUOUS LINES, THEY SHALL BE SO PLACED THAT THE ENDS OF THE SUPPORTING WIRES SHALL BE LAPPED TO LOCK LEGS ON ADJOINING PIECES.

### STRUCTURAL STEEL:

AT THE CONTRACTOR'S OPTION, HE MAY SUBSTITUTE 7/8" Ø SHEAR STUDS FOR THE 3/4" Ø STUDS SPECIFIED ON THE PLANS. THIS SUBSTITUTION SHALL BE MADE AT THE RATE OF 3 - 7/8" Ø STUDS FOR 4 - 3/4" Ø STUDS, AND STUD SPACING CHANGES SHALL BE MADE AS NECESSARY TO PROVIDE THE SAME EQUIVALENT NUMBER OF 7/8" Ø STUDS ALONG THE BEAM AS SHOWN FOR 3/4" Ø STUDS BASED ON THE RATIO OF 3 - 7/8" Ø STUDS FOR 4 - 3/4" Ø STUDS. STUDS OF THE LENGTH SPECIFIED ON THE PLANS MUST BE PROVIDED. THE MAXIMUM SPACING SHALL BE 2'-0".  
EXCEPT AT THE INTERIOR SUPPORTS OF CONTINUOUS BEAMS WHERE THE COVER PLATE IS IN CONTACT WITH BEARING PLATE, THE CONTRACTOR MAY, AT HIS OPTION, SUBSTITUTE FOR THE COVER PLATES DESIGNATED ON THE PLANS COVER PLATES OF THE EQUIVALENT AREA PROVIDED THESE PLATES ARE AT LEAST 5/16" IN THICKNESS AND DO NOT EXCEED A WIDTH EQUAL TO THE FLANGE WIDTH LESS 2" OR A THICKNESS EQUAL TO 2 TIMES THE FLANGE THICKNESS. THE SIZE OF FILLET WELDS SHALL CONFORM TO THE REQUIREMENTS OF THE CURRENT ANSI/AASHTO/AWS "BRIDGE WELDING CODE". ELECTROSLAG WELDING WILL NOT BE PERMITTED.  
WITH THE SOLE EXCEPTION OF EDGES AT SURFACES WHICH BEAR ON OTHER SURFACES, ALL SHARP EDGES AND ENDS OF SHAPES AND PLATES SHALL BE SLIGHTLY ROUNDED BY SUITABLE MEANS TO A RADIUS OF APPROXIMATELY 1/16 INCH OR EQUIVALENT FLAT SURFACE AT A SUITABLE ANGLE PRIOR TO PAINTING, GALVANIZING, OR METALLIZING.

### HANDRAILS AND POSTS:

METAL STANDARDS AND FACES OF THE CONCRETE END POSTS FOR THE METAL RAIL SHALL BE SET NORMAL TO THE GRADE OF THE CURB, UNLESS OTHERWISE SHOWN ON PLANS. THE METAL RAIL AND TOPS OF CONCRETE POSTS USED WITH THE ALUMINUM RAIL SHALL BE BUILT PARALLEL TO THE GRADE OF THE CURB.  
METAL HANDRAILS SHALL BE IN ACCORDANCE WITH THE PLANS. RAILS SHALL BE AS MANUFACTURED FOR BRIDGE RAILING. CASTINGS SHALL BE OF A UNIFORM APPEARANCE. FINIS AND OTHER DEFORMATIONS RESULTING FROM CASTING OR OTHERWISE SHALL BE REMOVED IN A MANNER SO THAT A UNIFORM COLORING OF THE COMPLETED CASTING SHALL BE OBTAINED. CASTINGS WITH DISCOLORATIONS OR OF NON-UNIFORM COLORING WILL NOT BE ACCEPTED. CERTIFIED MILL REPORTS ARE REQUIRED FOR METAL RAILS AND POSTS.

### SPECIAL NOTES:

GENERALLY, IN CASE OF DISCREPANCY, THIS STANDARD SHEET OF NOTES SHALL GOVERN OVER THE SPECIFICATIONS, BUT THE REMAINDER OF THE PLANS SHALL GOVERN OVER NOTES HEREON, AND SPECIAL PROVISIONS SHALL GOVERN OVER ALL. SEE SPECIFICATIONS ARTICLE 105-4.

# ENGLISH

JANUARY, 1990

STD. NO. SN