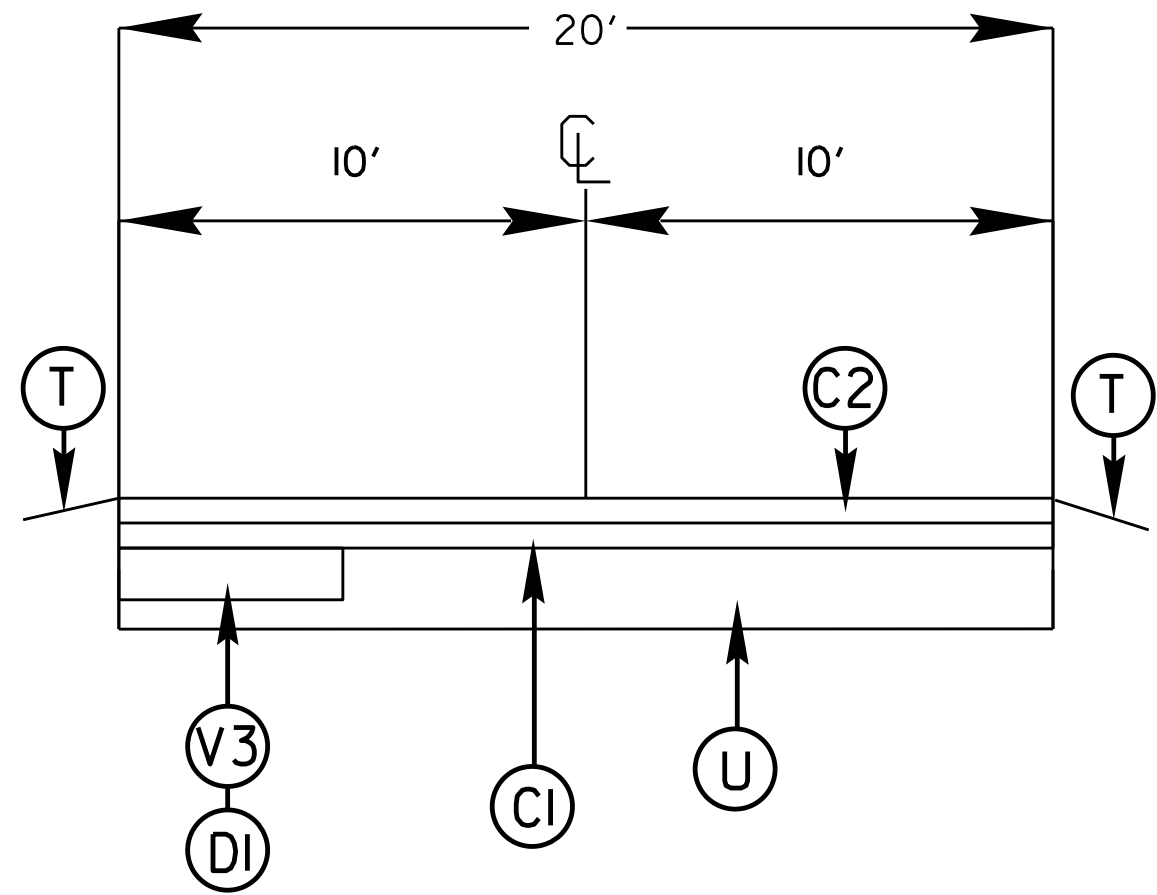


PROJECT REFERENCE NO.		SHEET NO.
2017CPT.14.03.10221.1.ETC		22
STATE PROJECT	F.A. PROJECT NO.	DESCRIPTION

TYPICAL 1



TYPICAL 2

