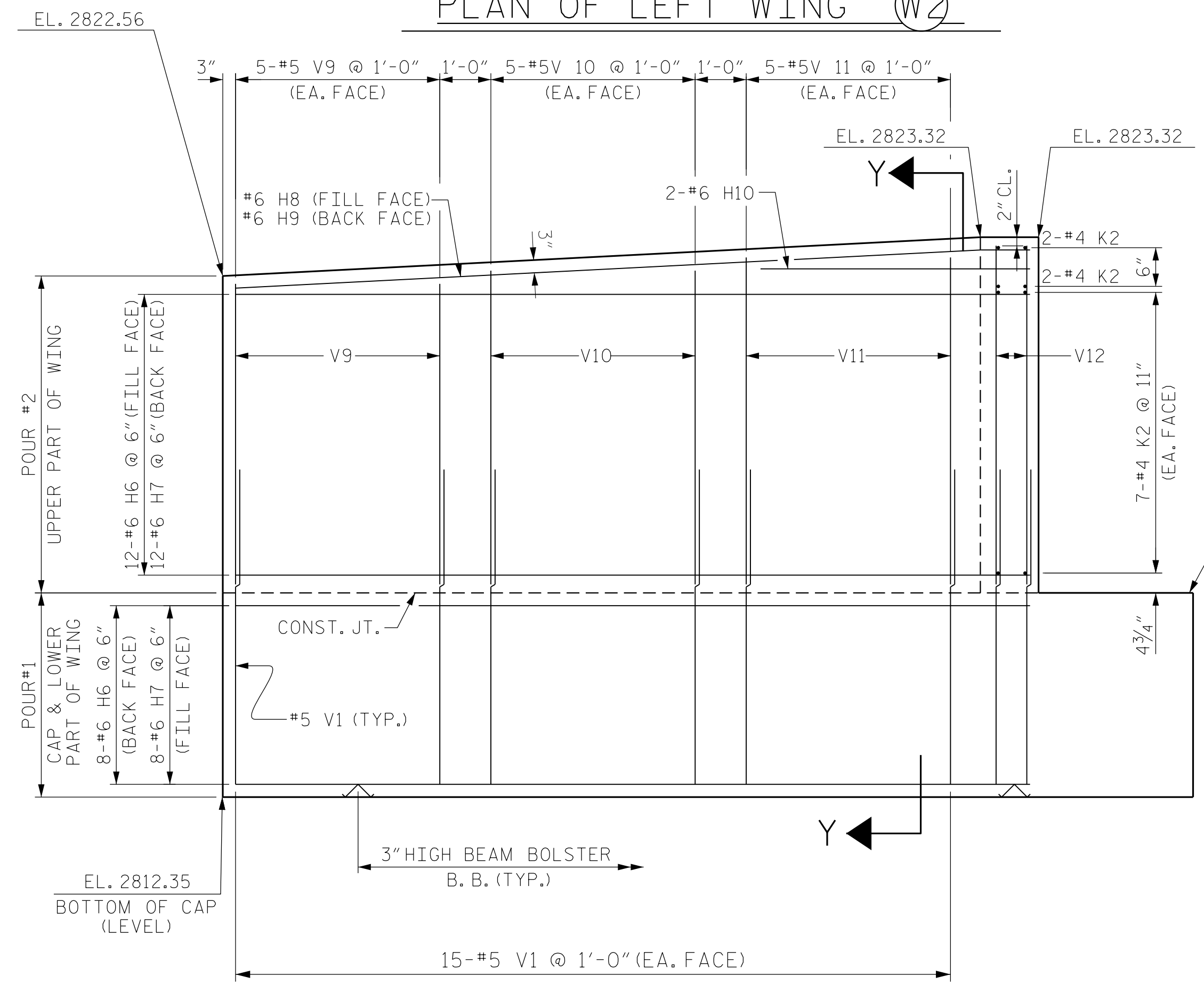
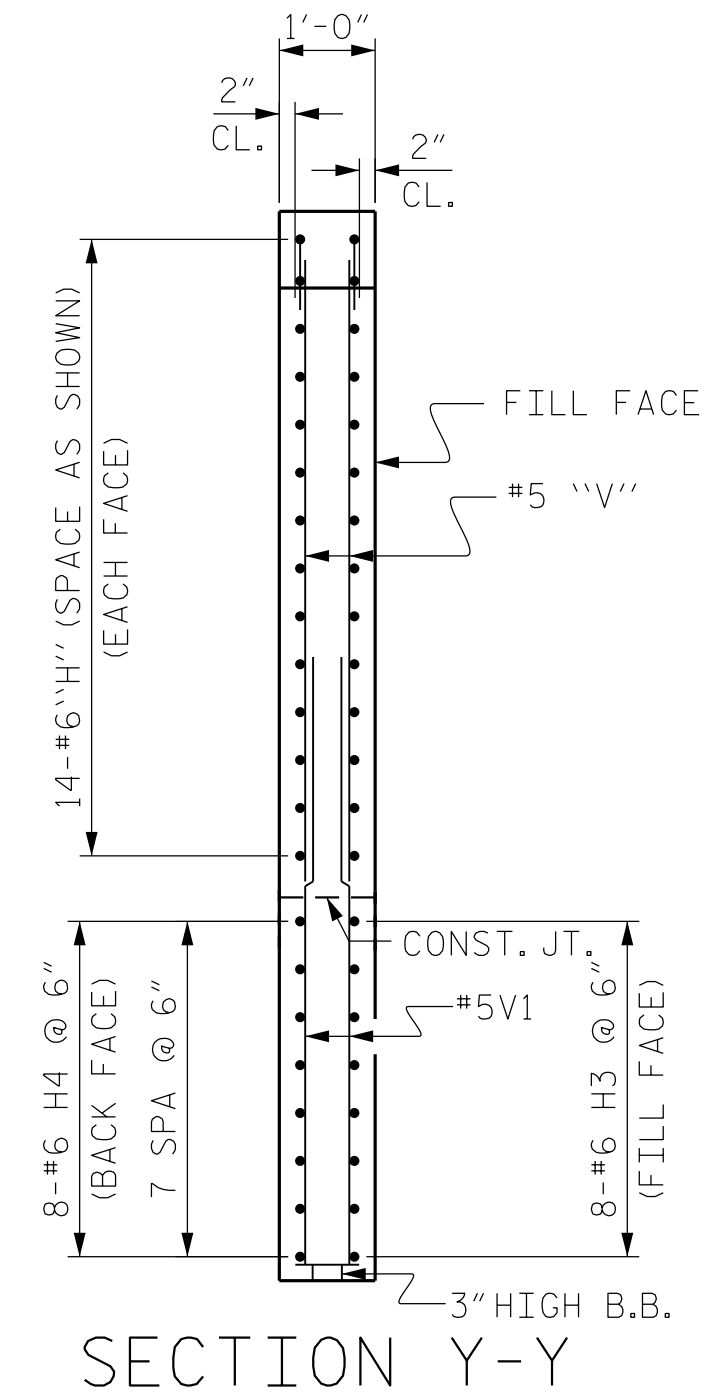


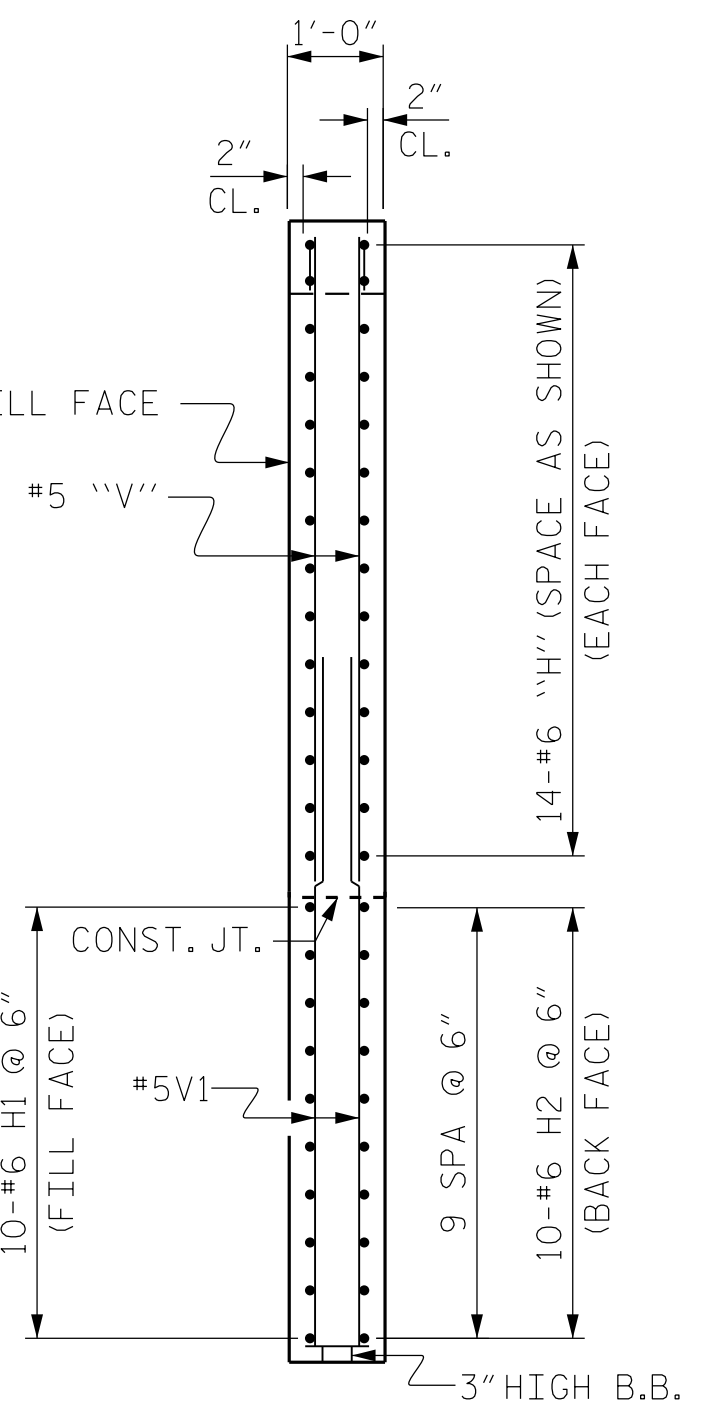
PLAN OF LEFT WING (W2)



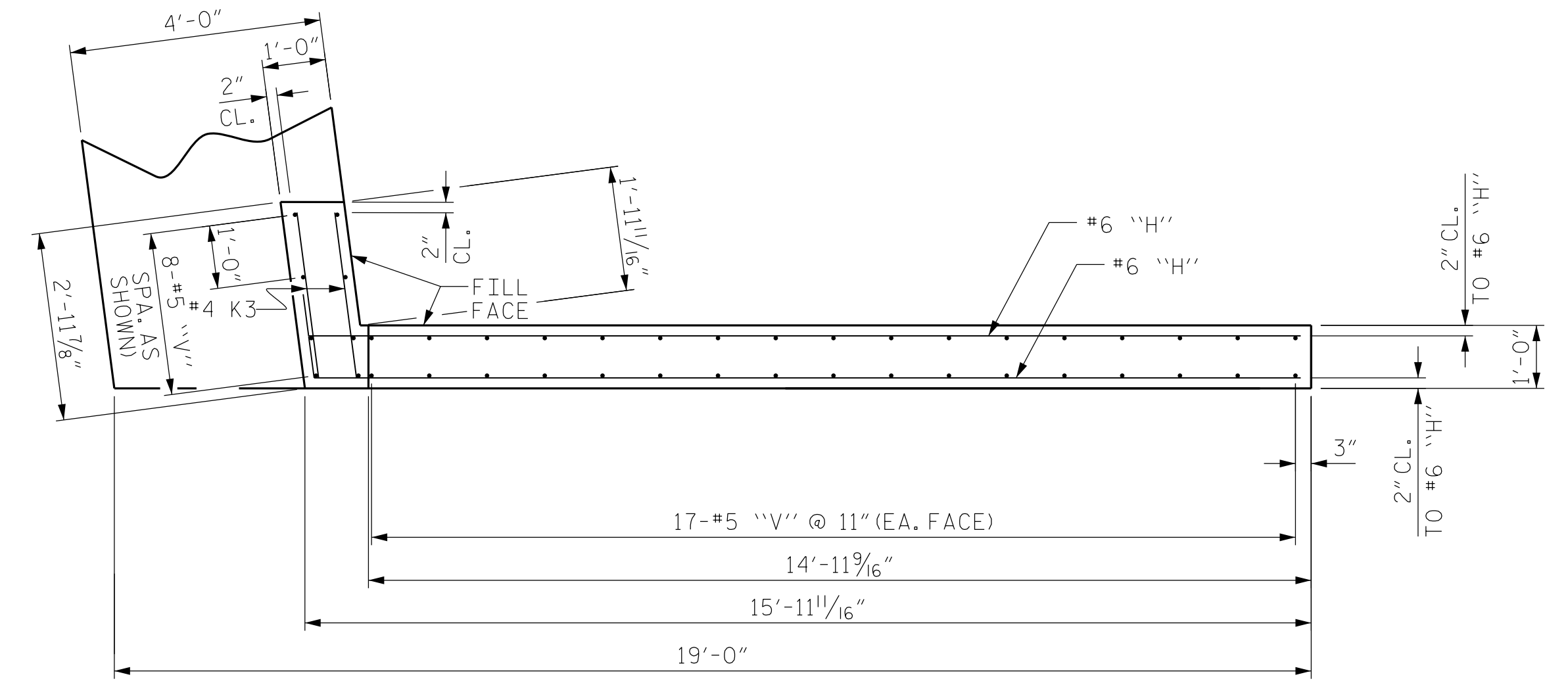
ELEVATION OF LEFT WING (W2)



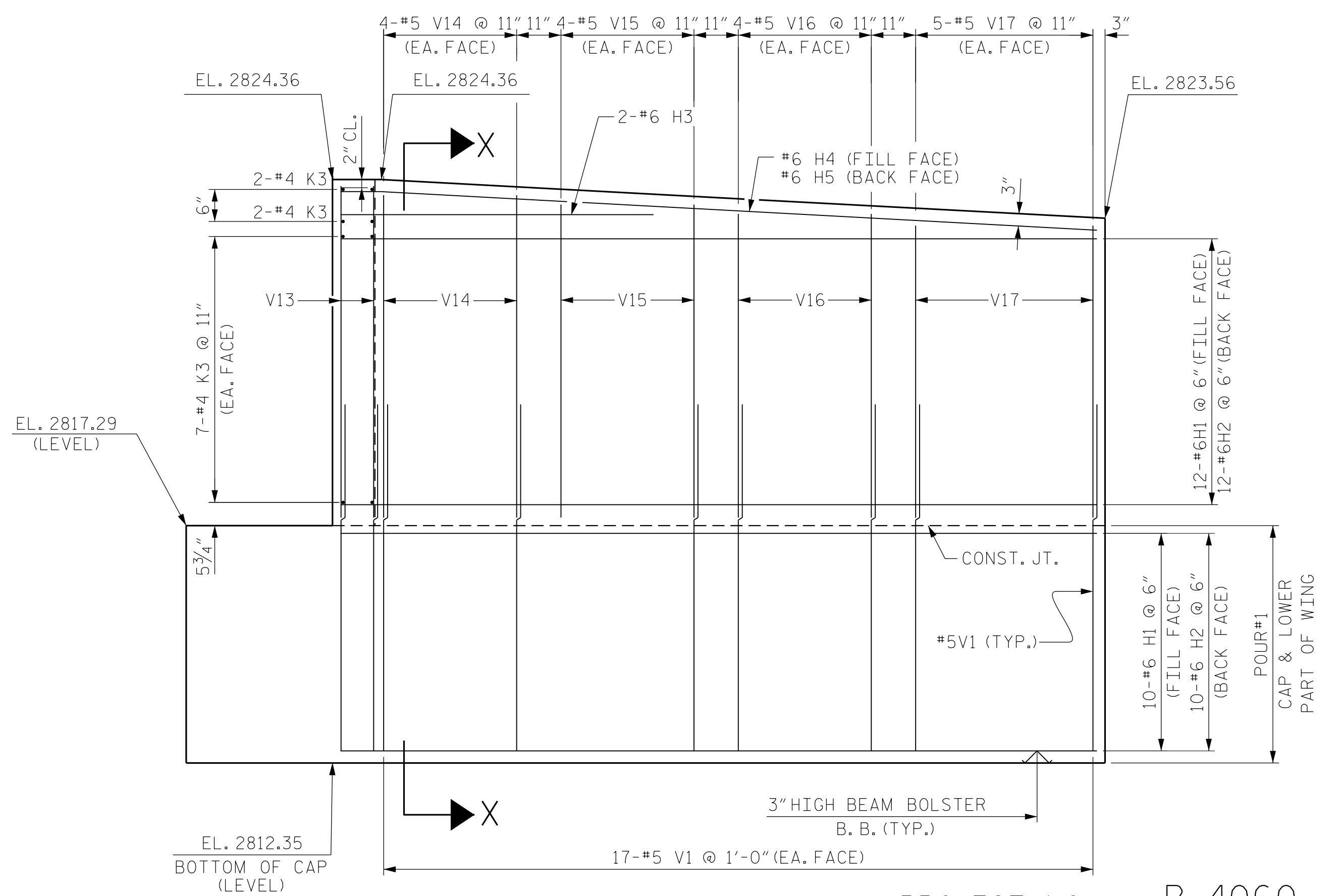
SECTION Y-Y



SECTION X-X



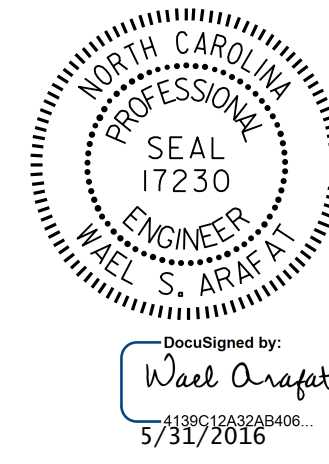
PLAN OF RIGHT WING (W1)



ELEVATION OF RIGHT WING (W1)

PROJECT NO. R-4060  
 ALLEGHANY COUNTY  
 STATION: 36+45.00 -L-

SHEET 2 OF 3



STATE OF NORTH CAROLINA  
 DEPARTMENT OF TRANSPORTATION  
 RALEIGH  
 SUBSTRUCTURE  
 INTEGRAL  
 END BENT #2

DRAWN BY: H. T. BARBOUR DATE: 12-2-14  
 CHECKED BY: V. X. NGUYEN DATE: 11-15  
 DESIGN ENGINEER OF RECORD: S. T. CHAMPION DATE: 12-15

DOCUMENT NOT CONSIDERED  
 FINAL UNLESS ALL  
 SIGNATURES COMPLETED

REVISIONS						SHEET NO. S-22
NO.	BY:	DATE:	NO.	BY:	DATE:	
1			3			TOTAL SHEETS 26
2			4			