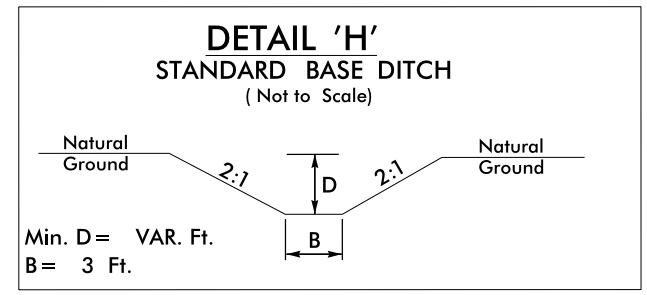
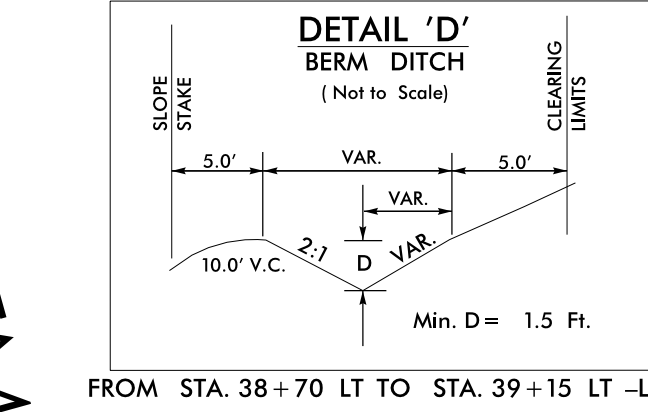
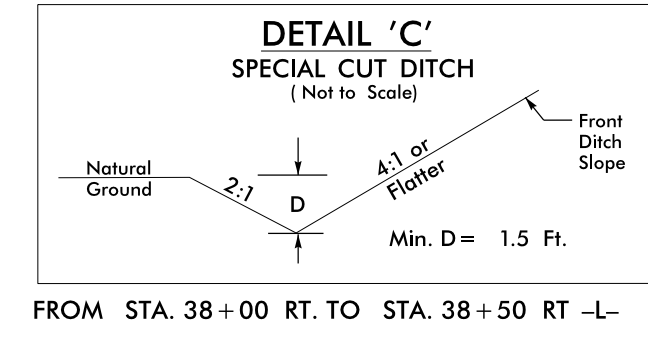
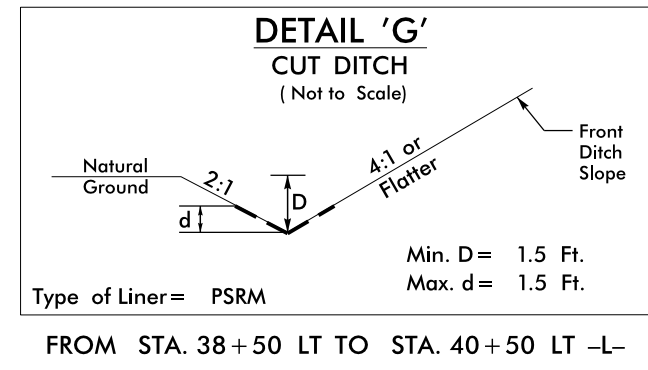
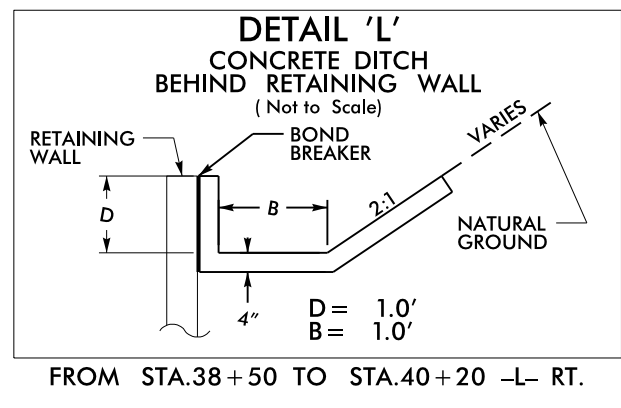


PROJECT REFERENCE NO.	SHEET NO.
R-4060	EC-6/CONST.6
RW SHEET NO.	
ROADWAY DESIGN ENGINEER	HYDRAULICS ENGINEER

NOTE: PLACE TEMPORARY ROCK SEDIMENT DAMS TYPE - B AND TEMPORARY ROCK SILT CHECKS TYPE - A AT DRAINAGE OUTLETS.

CLEARING AND GRUBBING EROSION CONTROL FOR CONSTRUCTION SHEET 6



8/17/99

96 JUL - 2016 14:15 \\das\p\p\4060_EC.pst - sheet06.dgn

