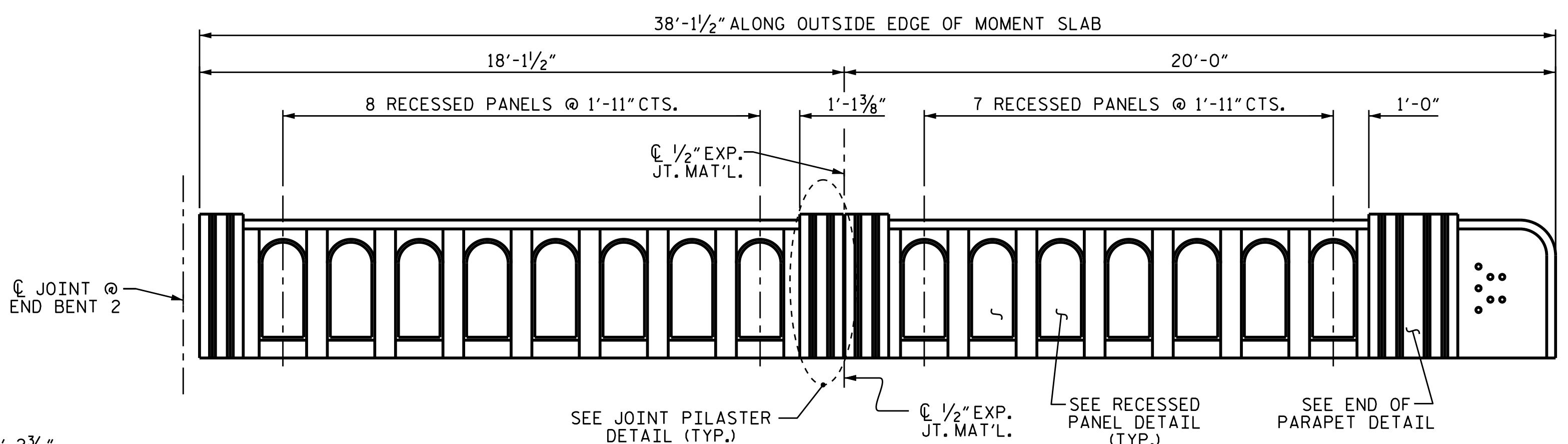
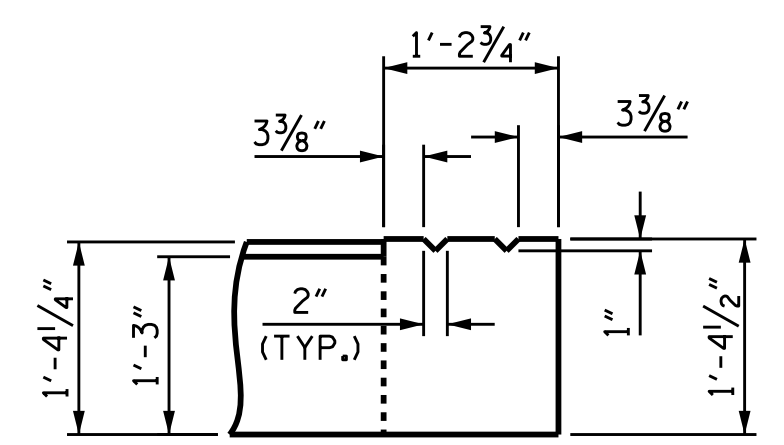


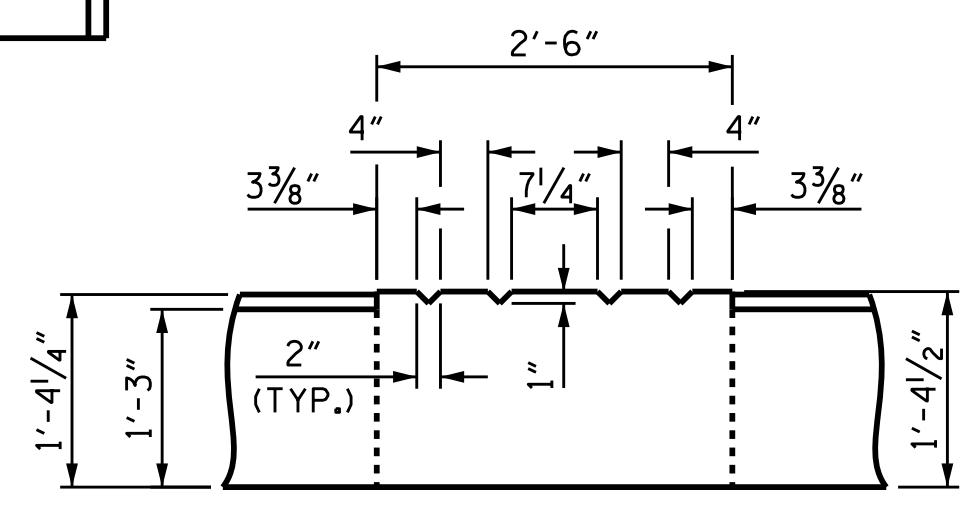
CONCRETE PARAPET ON MOMENT SLAB @ END BENT 1



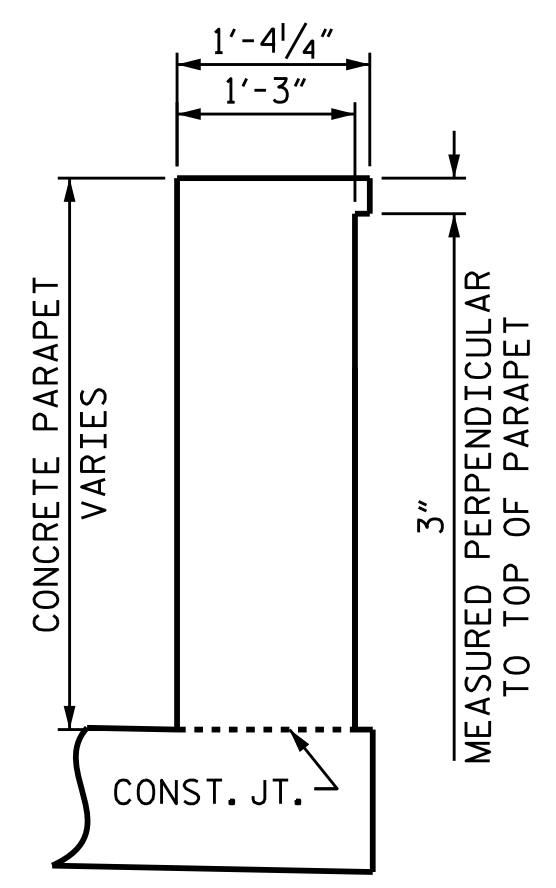
CONCRETE PARAPET ON MOMENT SLAB @ END BENT 2



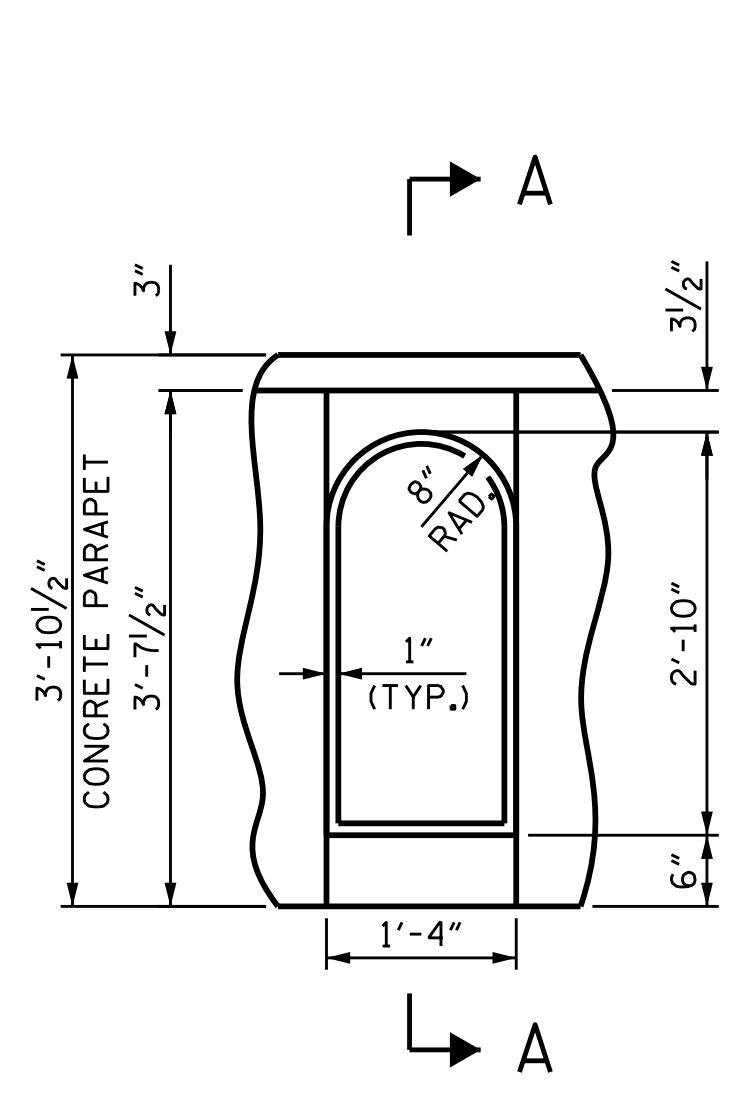
SECTION D-D



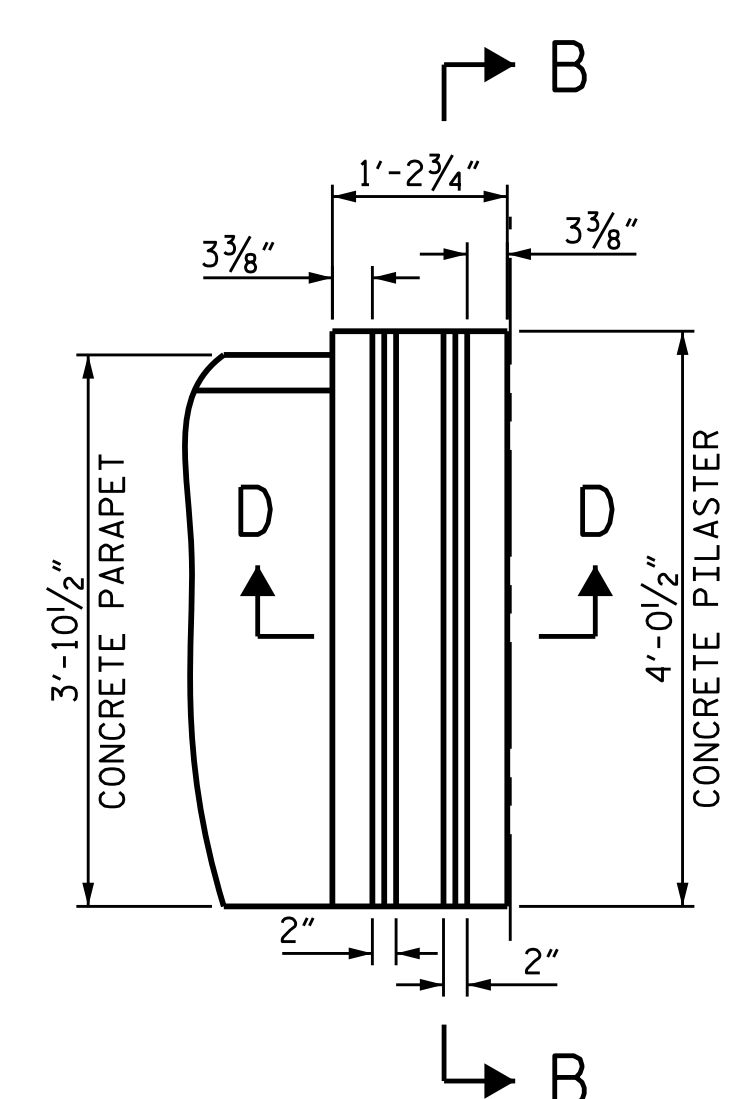
SECTION E-E



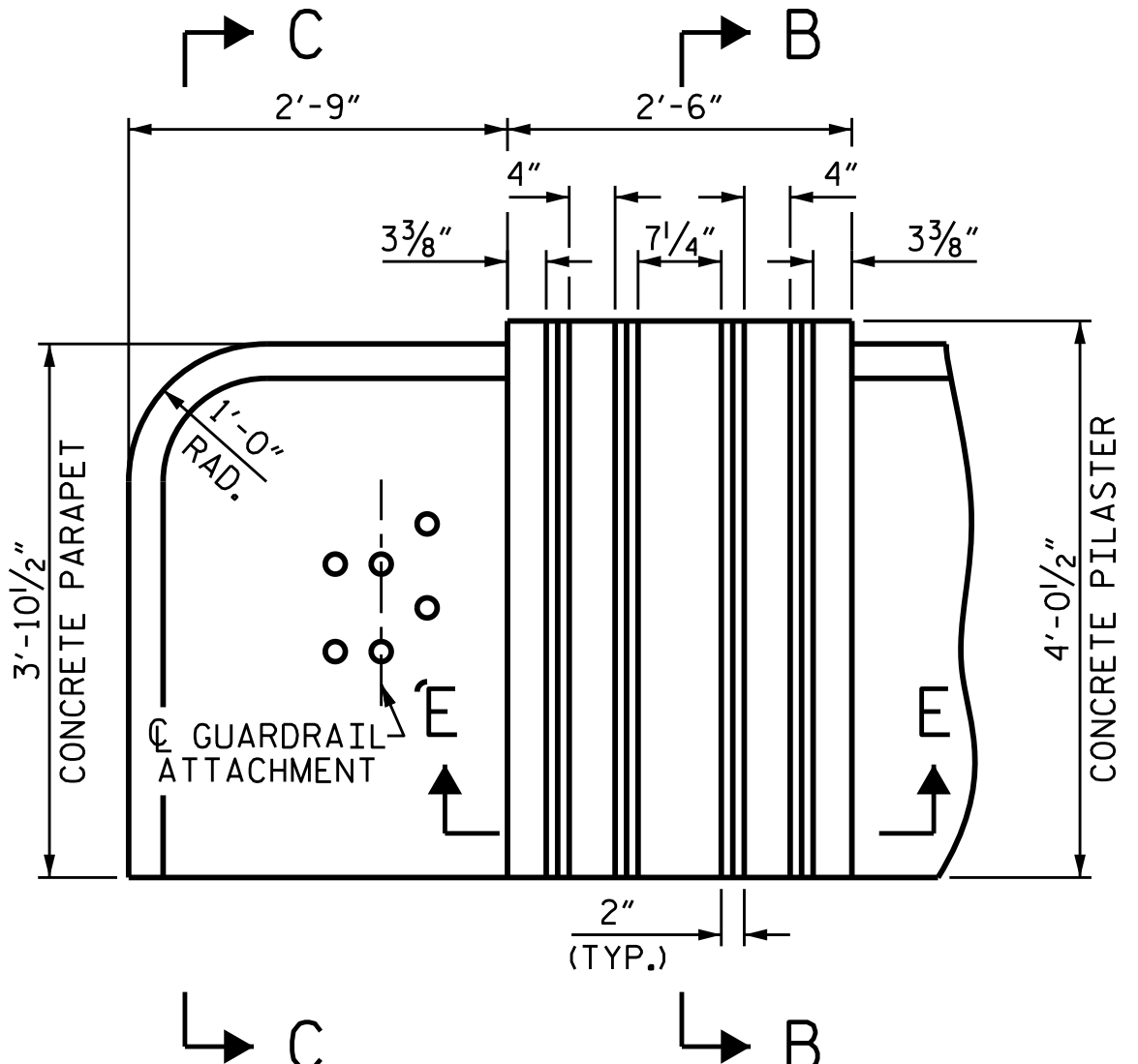
SECTION C-C



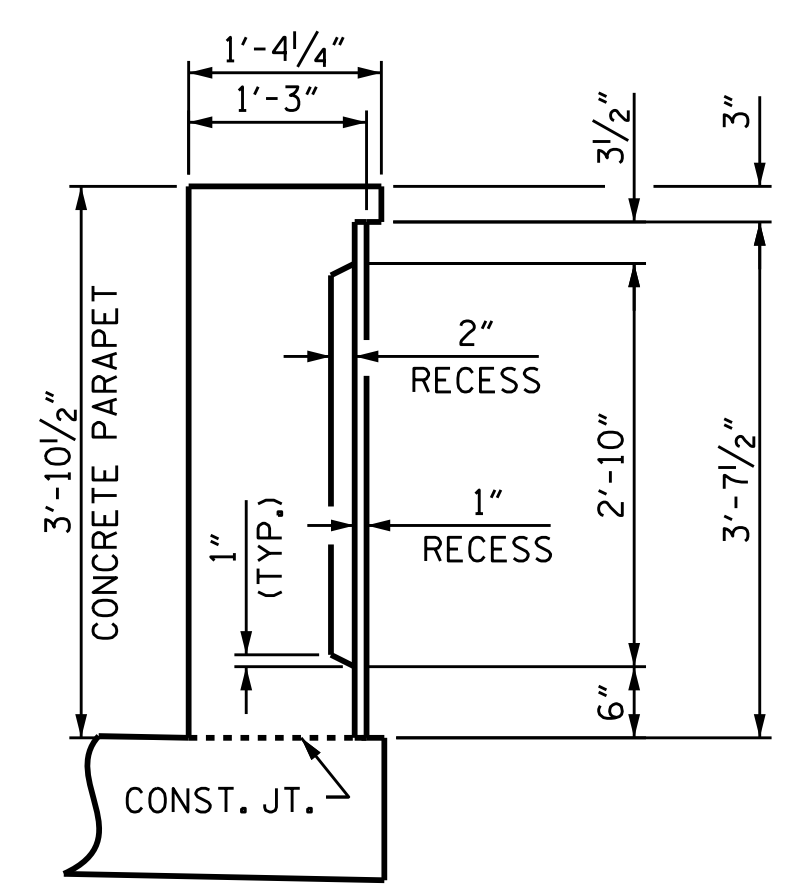
RECESSED PANEL DETAIL



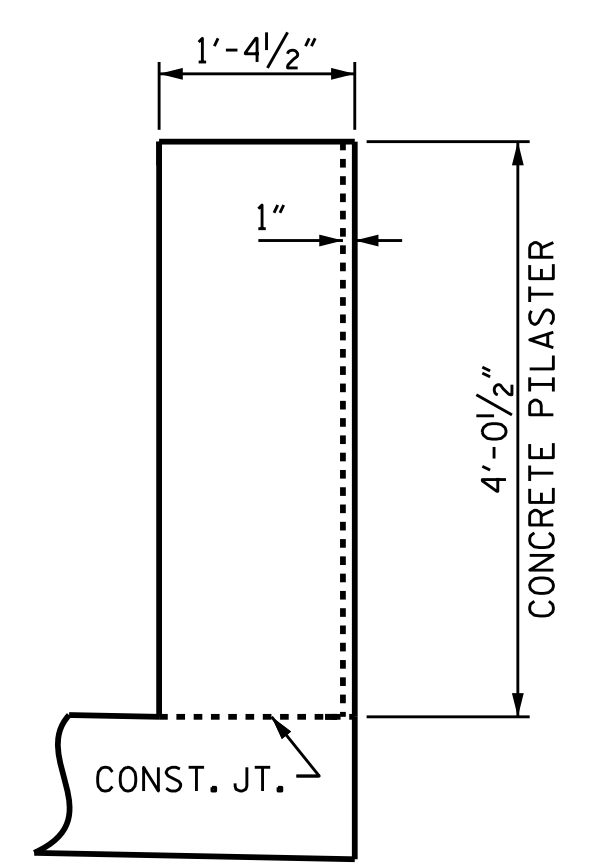
JOINT PILASTER DETAIL
PILASTER TO LEFT OF JOINT SHOWN,
PILASTER TO RIGHT OF JOINT
SIMILAR BY ROTATION.



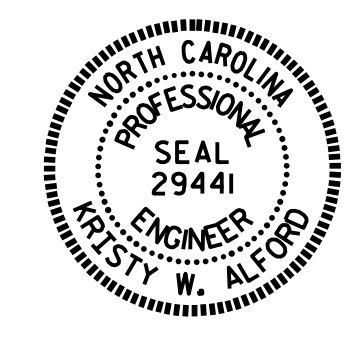
END OF RAIL DETAIL



SECTION A-A



SECTION B-B



PROJECT NO. B-5121/B-5317
WAKE COUNTY
STATION: 20+19.94 -FLYOVER-

SHEET 4 OF 4

STATE OF NORTH CAROLINA
DEPARTMENT OF TRANSPORTATION
RALEIGH

MOMENT SLAB

DRAWN BY: K.W. ALFORD DATE: 2/2016
CHECKED BY: I.L. AVERETTE DATE: 2/2016
DESIGN ENGINEER OF RECORD: K.W. ALFORD DATE: 2/2016

DOCUMENT NOT CONSIDERED
FINAL UNLESS ALL
SIGNATURES COMPLETED

REVISIONS						SHEET NO.
NO.	BY:	DATE:	NO.	BY:	DATE:	S-105
1			3			TOTAL SHEETS 110
2			4			