

PLAN

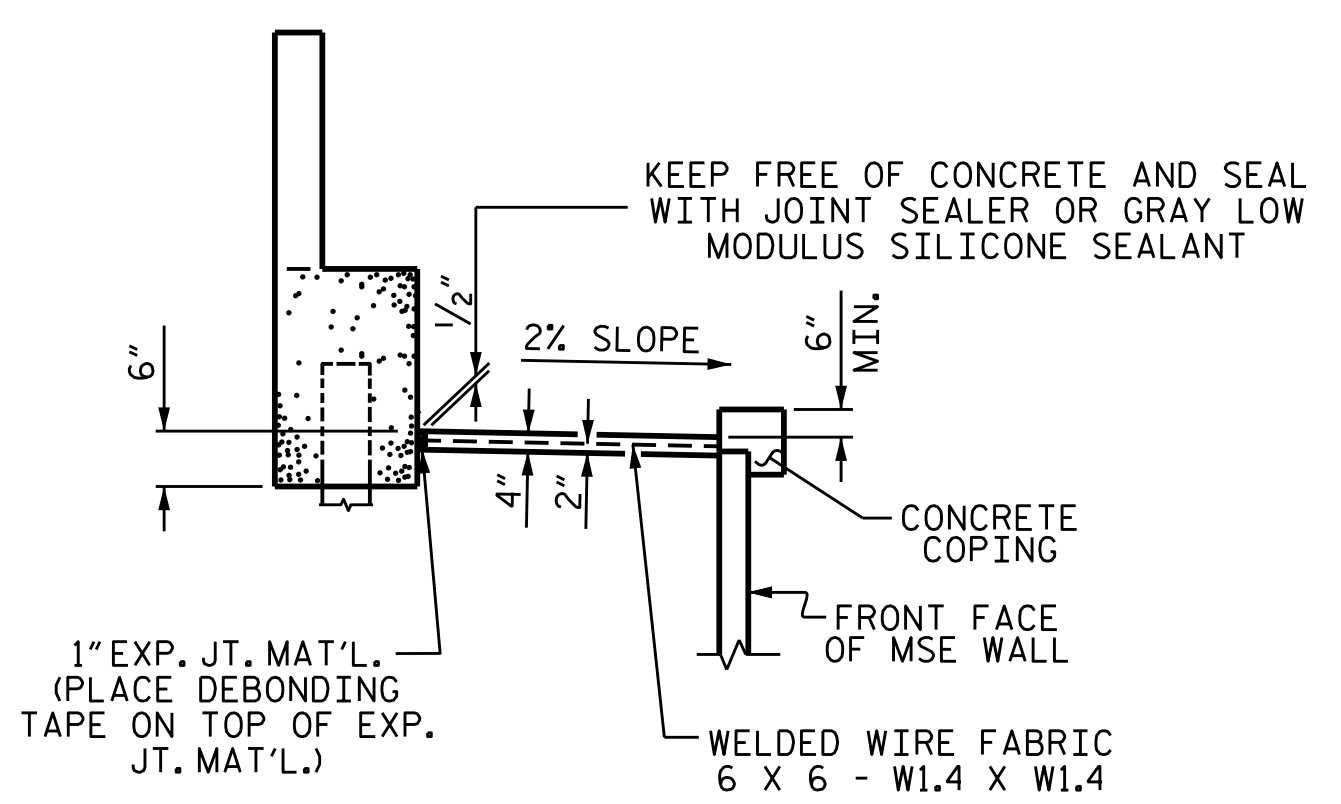
NOTES

SLOPE PROTECTION SHALL BE PLACED UNDER THE ENDS OF THE BRIDGE AS SHOWN IN THE DETAILS. MEASUREMENT AND PAYMENT SHALL BE AS PRESCRIBED IN SECTION 462 OF THE STANDARD SPECIFICATIONS.

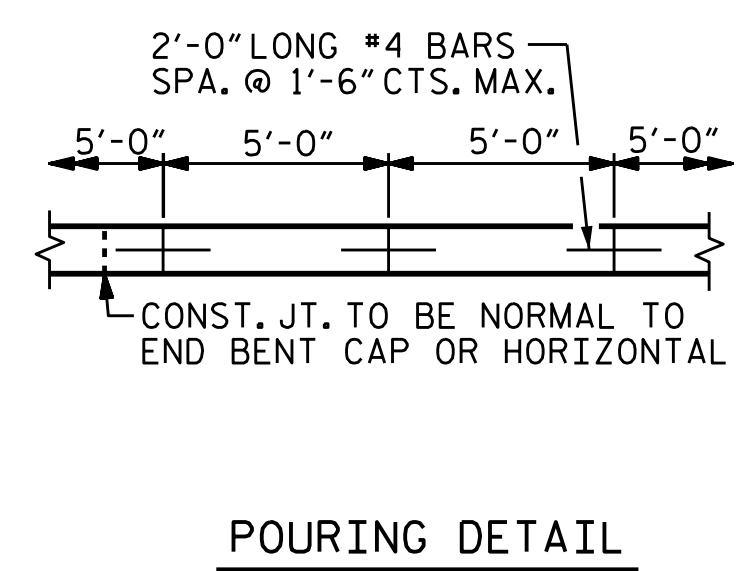
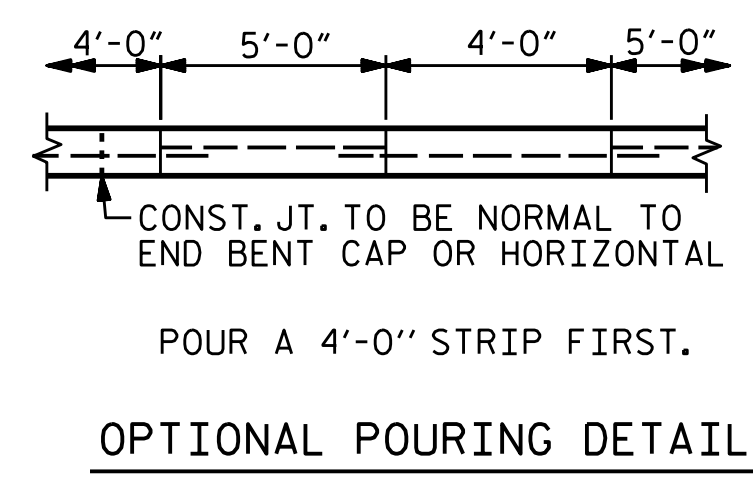
SLOPE PROTECTION SHALL CONSIST OF 4" POURED-IN-PLACE CONCRETE PAVING AS SHOWN IN THE DETAILS ON THIS SHEET. CONCRETE SHALL BE CLASS "B". THE CONCRETE SURFACE SHALL BE FLOATED WITH A WOODEN FLOAT AND FINISHED. WELDED WIRE FABRIC REINFORCING SHALL BE 6 X 6 - W1.4 X W1.4, 60" WIDE. SLOPE PROTECTION SHALL BE POURED IN 5' STRIPS AS SHOWN IN THE "POURING DETAIL" WITH 2'-0" LONG #4 BARS PLACED ALONG THE SLOPE BETWEEN STRIPS AT 1'-6" MAXIMUM SPACING. SLOPE PROTECTION MAY BE POURED IN ALTERNATE 4' AND 5' STRIPS AS SHOWN IN THE "OPTIONAL POURING DETAIL" WITH ADJACENT RUNS OF WELDED WIRE FABRIC LAPPING AT LEAST 6". THE COST OF THE WELDED WIRE FABRIC AND #4 BARS, IF USED, SHALL BE INCLUDED IN THE CONTRACT UNIT PRICE BID PER SQUARE YARD FOR SLOPE PROTECTION.

| BRIDGE @ | 4" SLOPE PROTECTION | * WELDED WIRE FABRIC 60 INCHES WIDE |
|-------------------------|---------------------|-------------------------------------|
| STA. 20+19.94 -FLYOVER- | SQUARE YARDS | APPROX. L.F. |
| END BENT 1 | 105 | 210 |
| END BENT 2 | 25 | 50 |

* QUANTITY SHOWN IS BASED ON 5' POURS.



SECTION A-A



PROJECT NO. B-5121/B-5317
WAKE COUNTY
 STATION: 20+19.94 -FLYOVER-



STATE OF NORTH CAROLINA
 DEPARTMENT OF TRANSPORTATION
 RALEIGH

SLOPE PROTECTION DETAILS

DRAWN BY : M.M. AHMED DATE : 2/2015
 CHECKED BY : T.L. AVERETTE DATE : 2/2015
 DESIGN ENGINEER OF RECORD : R.L. CHESSON DATE : 2/2015

DOCUMENT NOT CONSIDERED FINAL UNLESS ALL SIGNATURES COMPLETED

| REVISIONS | | | | | | SHEET NO. |
|-----------|-----|-------|-----|-----|-------|------------------|
| NO. | BY: | DATE: | NO. | BY: | DATE: | S-99 |
| 1 | | | 3 | | | TOTAL SHEETS 110 |
| 2 | | | 4 | | | |