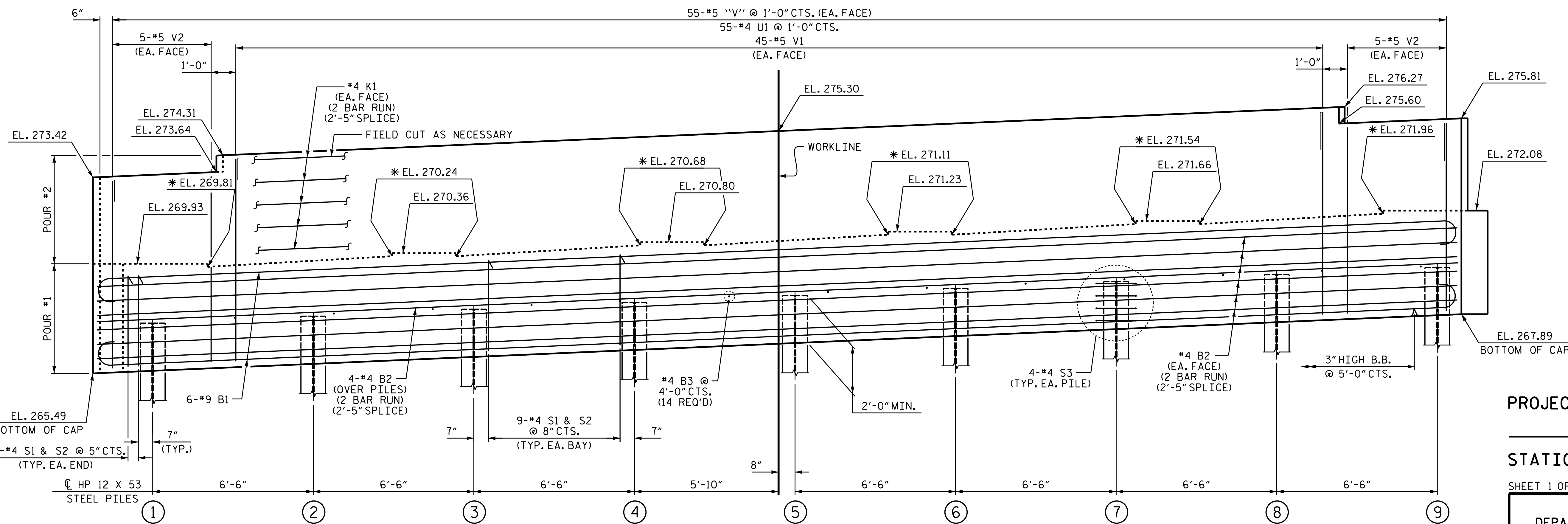


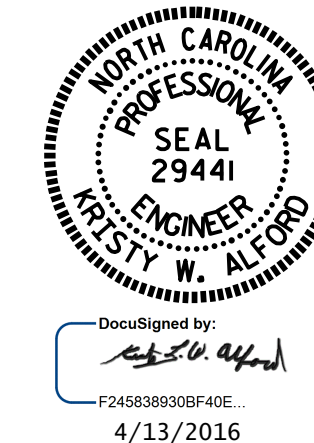
PLAN



ELEVATION

TOP OF PILE ELEVATIONS					
①	267.59	④	268.44	⑦	269.28
②	267.88	⑤	268.72	⑧	269.57
③	268.16	⑥	269.00	⑨	269.85

* FOR LOCATION OF ELEVATION BETWEEN BUILD-UPS, SEE SECTION THRU CAP ON SHEET 2 OF 2.



PROJECT NO. B-5121/B-5317
 WAKE COUNTY
 STATION: 20+19.94 -FLYOVER-
 SHEET 1 OF 2

STATE OF NORTH CAROLINA
 DEPARTMENT OF TRANSPORTATION
 RALEIGH
 SUBSTRUCTURE
 END BENT 1

DRAWN BY: J.P. ADAMS DATE: 1/2016
 CHECKED BY: I.L. AVERETTE DATE: 2/2016
 DESIGN ENGINEER OF RECORD: R.L. CHESSON DATE: 2/2016

DOCUMENT NOT CONSIDERED FINAL UNLESS ALL SIGNATURES COMPLETED

REVISIONS						SHEET NO.
NO.	BY:	DATE:	NO.	BY:	DATE:	S-89
1			3			TOTAL SHEETS 110
2			4			