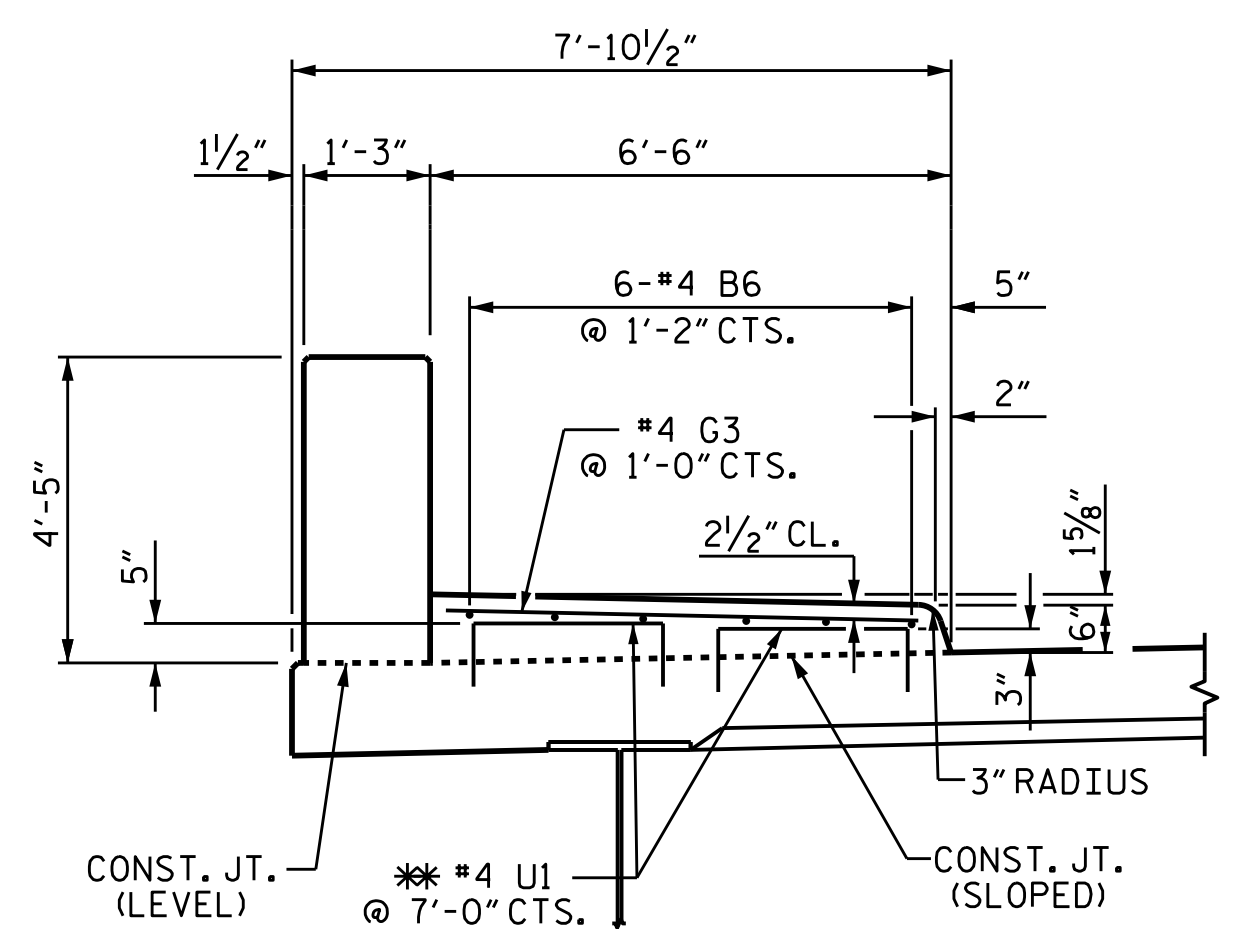
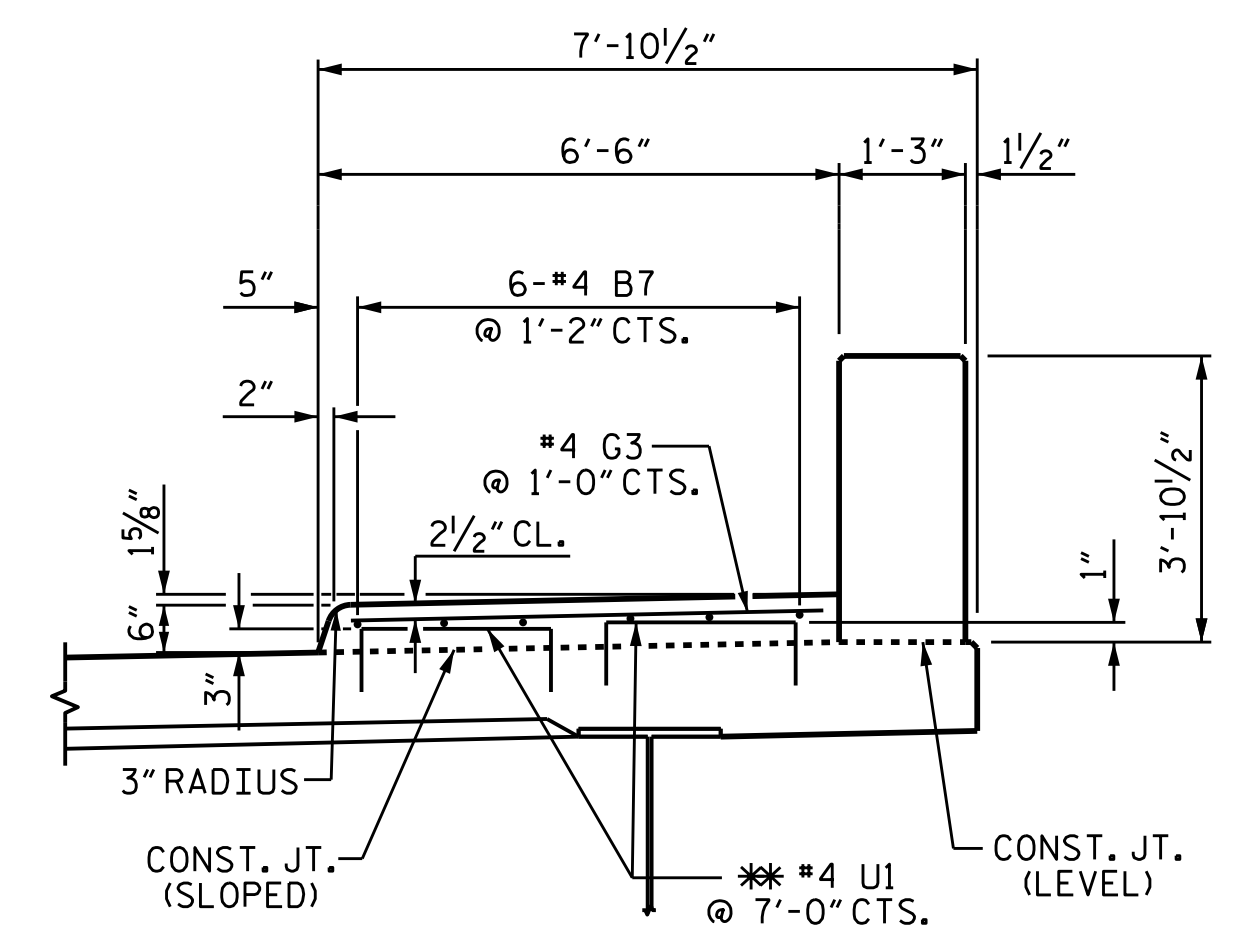


PLAN OF LEFT SIDEWALK



SECTION THRU SIDEWALK (LEFT)



SECTION THRU SIDEWALK (RIGHT)

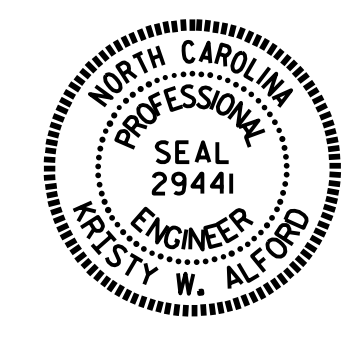
** #4 U1 MAY BE PUSHED INTO GREEN CONCRETE AFTER SPAN HAS BEEN SCREEDED OFF

PROJECT NO. B-5121/B-5317
 WAKE COUNTY
 STATION: 20+19.94 -FLYOVER-

SHEET 1 OF 2

STATE OF NORTH CAROLINA
 DEPARTMENT OF TRANSPORTATION
 RALEIGH

SUPERSTRUCTURE
 SIDEWALK



DocuSigned by:
 Westy W. Alford
 4/13/2016

DRAWN BY :	J.P. ADAMS	DATE :	1/2016
CHECKED BY :	I.L. AVERETTE	DATE :	2/2016
DESIGN ENGINEER OF RECORD:	R.L. CHESSON	DATE :	2/2016

DOCUMENT NOT CONSIDERED FINAL UNLESS ALL SIGNATURES COMPLETED

REVISIONS						SHEET NO.	
NO.	BY:	DATE:	NO.	BY:	DATE:	TOTAL SHEETS	
1			3			5	79
2			4			110	