

ELEVATION OF LEFT PARAPET EXTERIOR FACE

NOTES:  
ALL DIMENSIONS SHOWN ARE MEASURED ALONG THE OUTSIDE EDGE OF SUPERSTRUCTURE.



DocuSigned by:  
K.W. Alford  
4/13/2016

PROJECT NO. B-5121/B-5317  
WAKE COUNTY  
STATION: 20+19.94 -FLYOVER-  
SHEET 1 OF 2

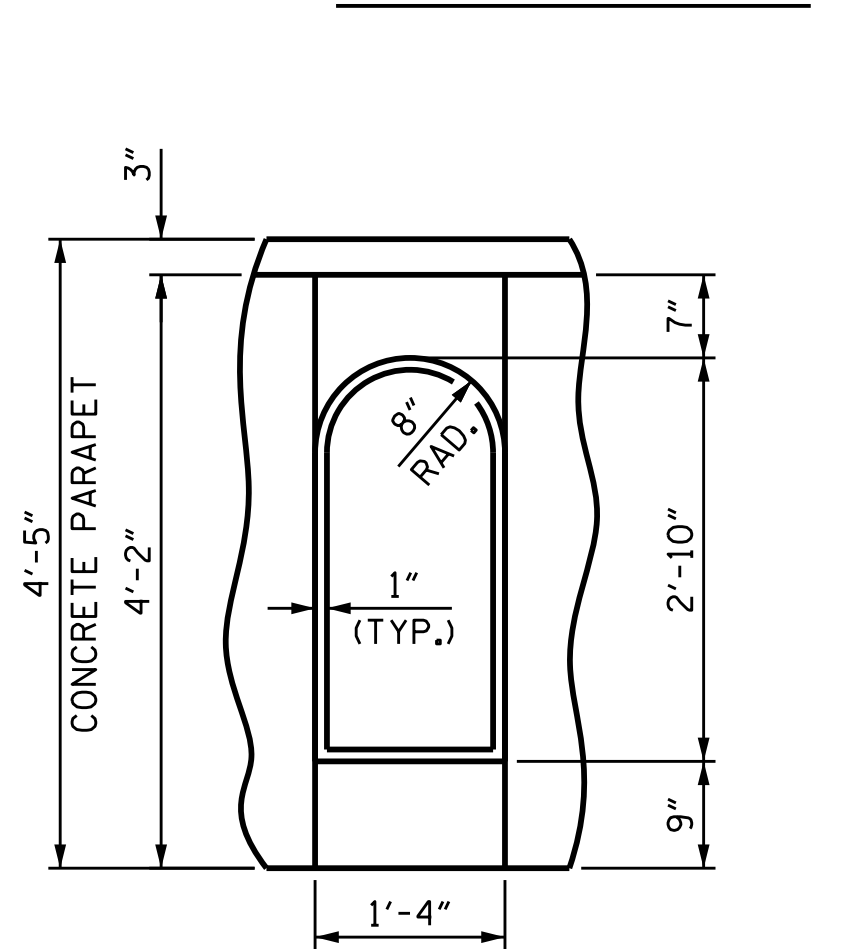
STATE OF NORTH CAROLINA  
DEPARTMENT OF TRANSPORTATION  
RALEIGH  
PARAPET AESTHETIC  
DETAILS

| REVISIONS |     |       |     |     |       | SHEET NO.        |  |
|-----------|-----|-------|-----|-----|-------|------------------|--|
| NO.       | BY: | DATE: | NO. | BY: | DATE: | S-77             |  |
| 1         |     |       | 3   |     |       | TOTAL SHEETS 110 |  |
| 2         |     |       | 4   |     |       |                  |  |

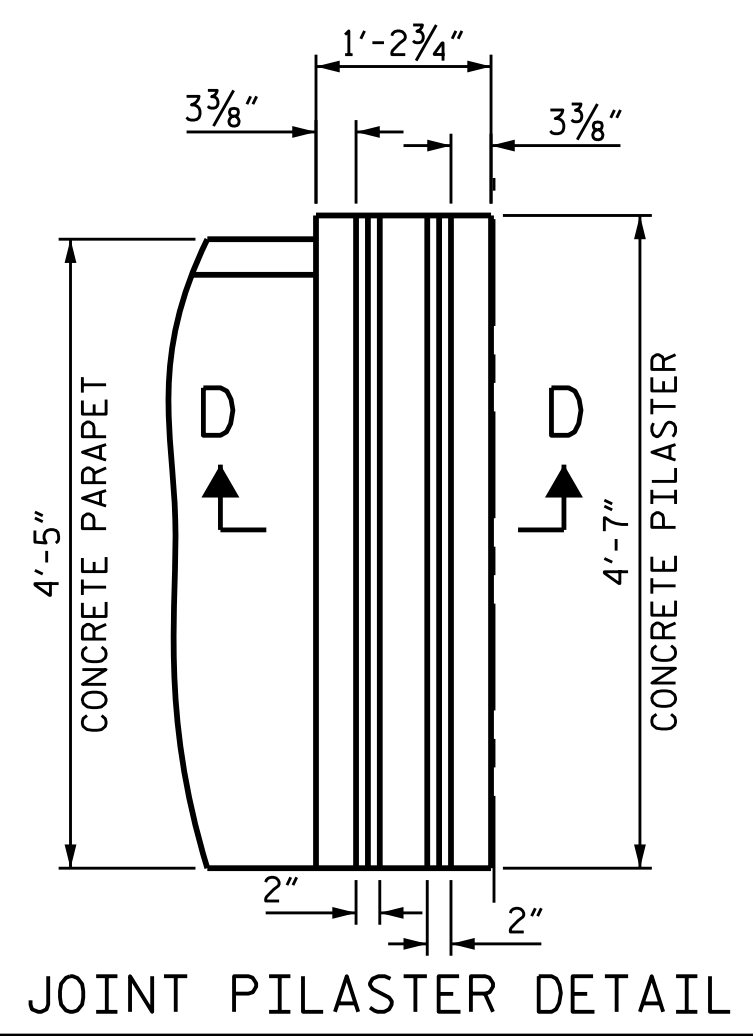
DOCUMENT NOT CONSIDERED FINAL UNLESS ALL SIGNATURES COMPLETED

DRAWN BY: K.W. ALFORD DATE: 1/2016  
CHECKED BY: J.L. AVERETTE DATE: 2/2016  
DESIGN ENGINEER OF RECORD: K.W. ALFORD DATE: 2/2016

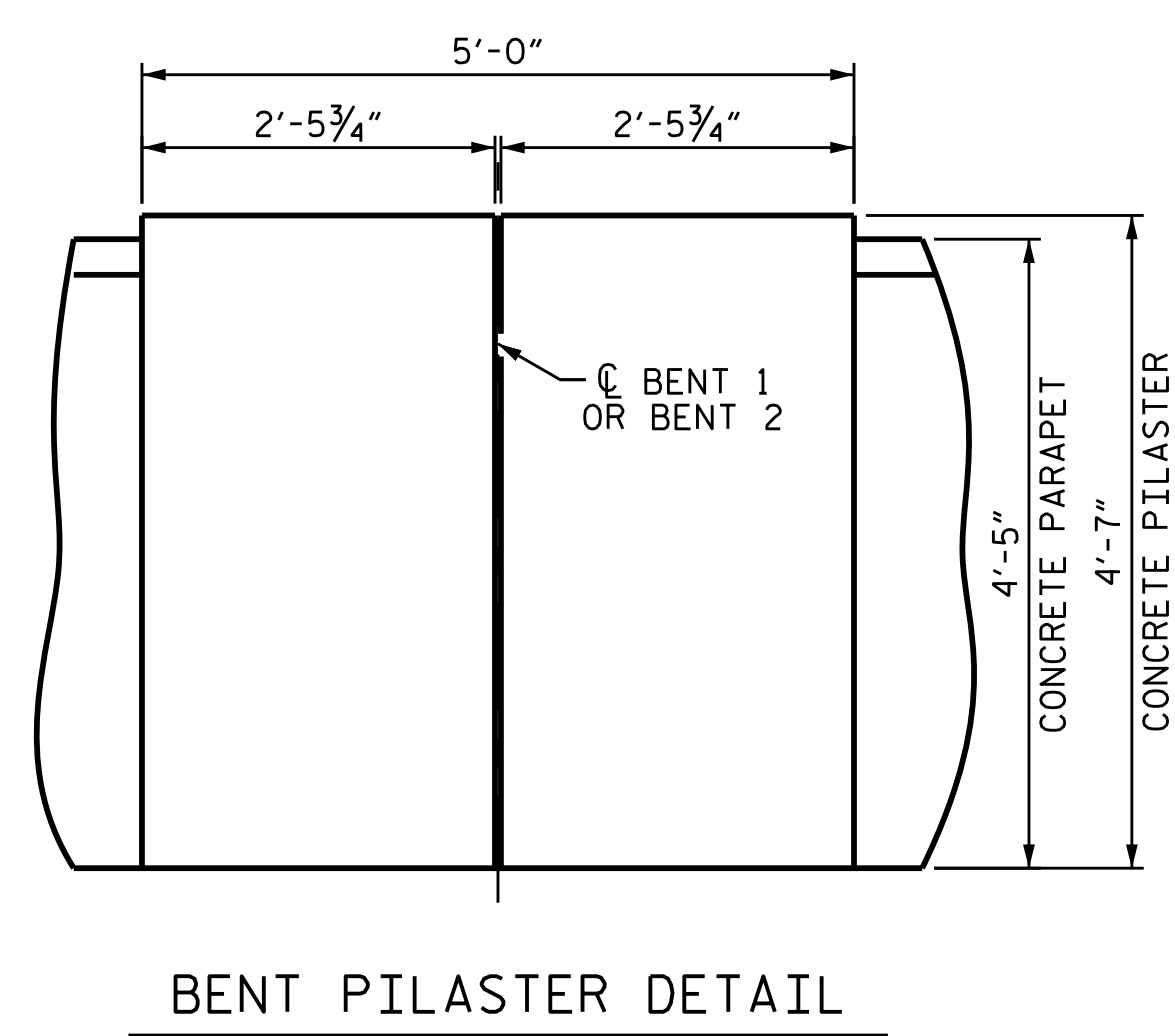
SECTION D-D



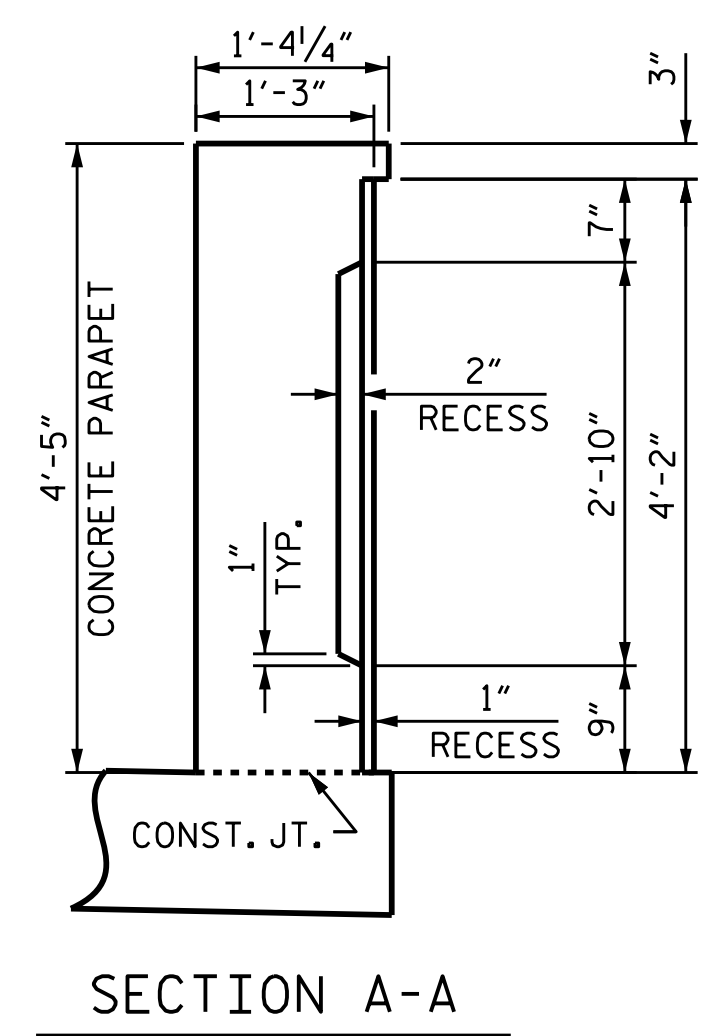
RECESSED PANEL DETAIL



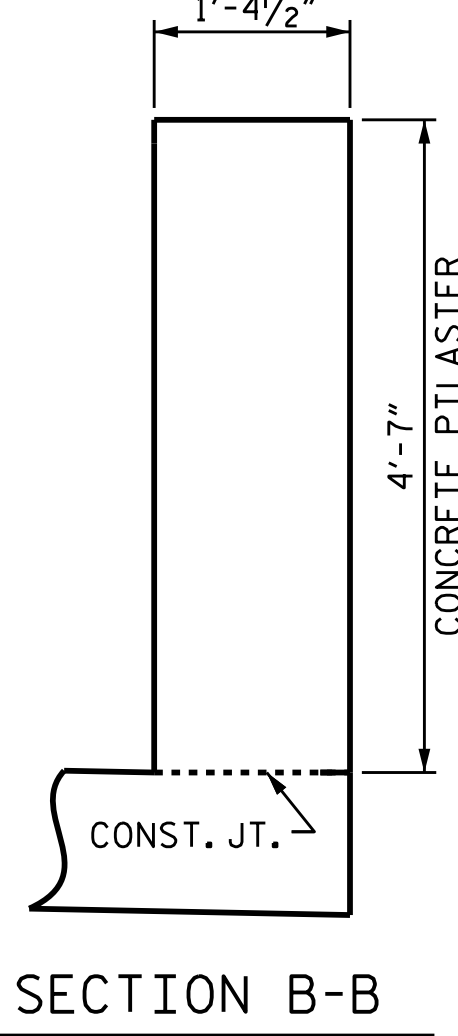
JOINT PILASTER DETAIL  
PILASTER TO LEFT OF JOINT SHOWN.  
PILASTER TO RIGHT OF JOINT  
SIMILAR BY ROTATION.



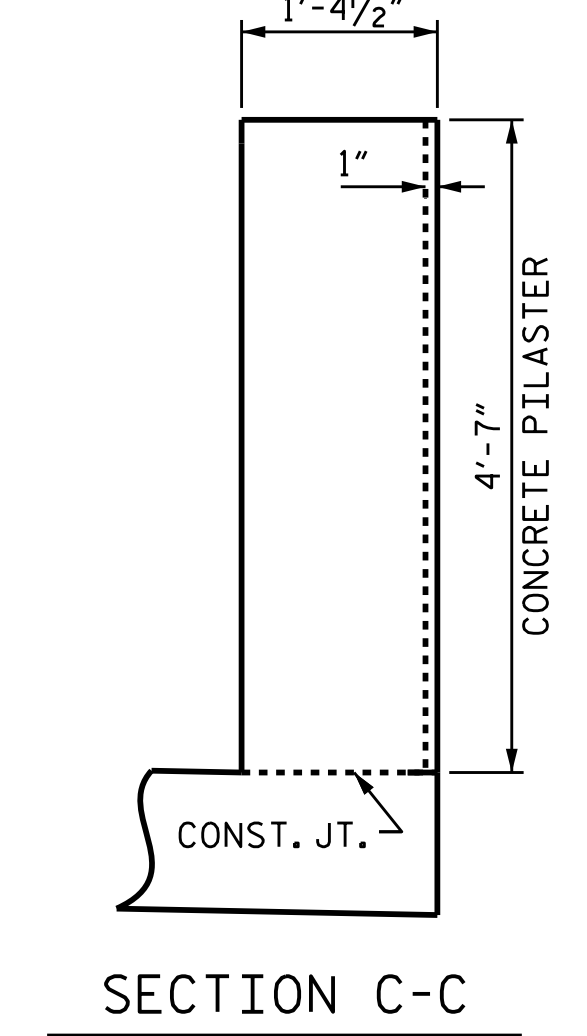
BENT PILASTER DETAIL



SECTION A-A



SECTION B-B



SECTION C-C