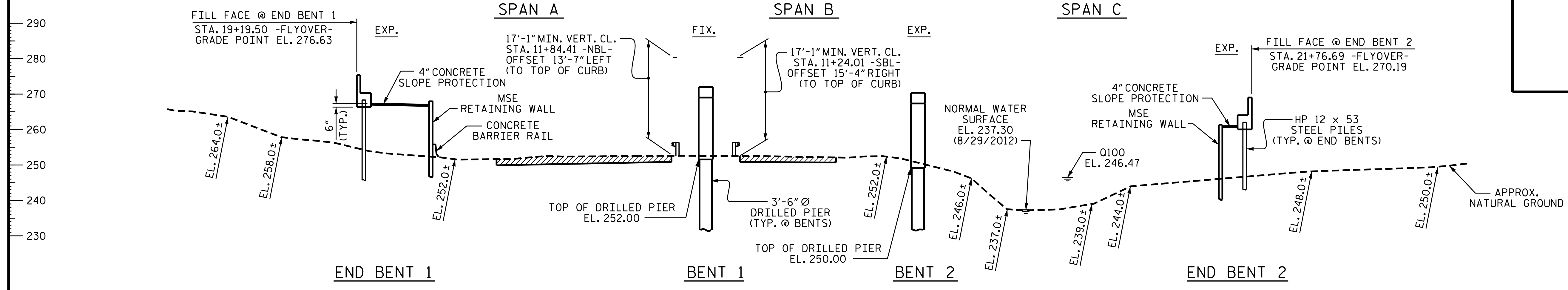


18+50 19+00 19+50 20+00 20+50 21+00 21+50 22+00

GRADE DATA -FLYOVER-

(+1.7956% (-)7.0000%  
 PI = 20+51.00 -FLYOVER-  
 EL. 278.99  
 VC = 260'

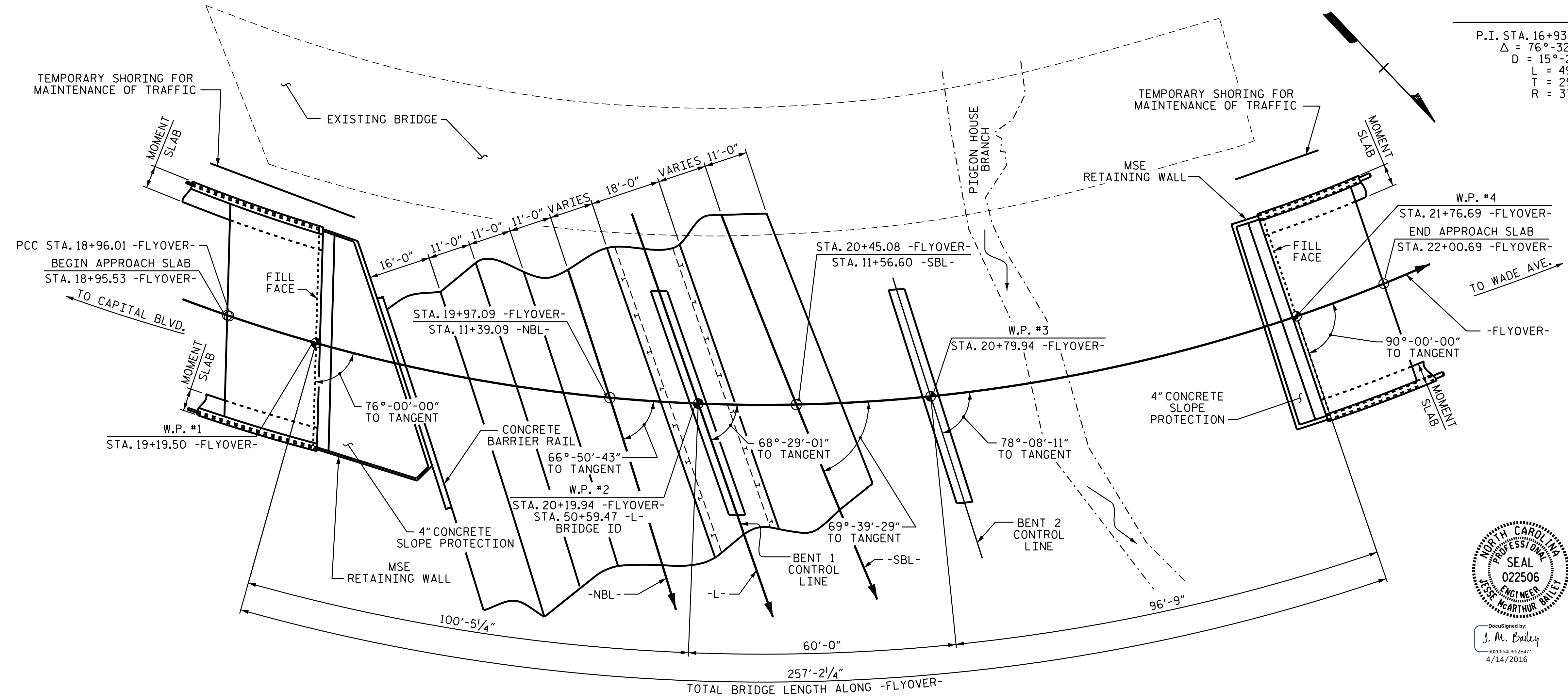
I HEREBY CERTIFY THESE PLANS  
 ARE THE AS-BUILT PLANS



HORIZONTAL CURVE DATA -FLYOVER-

P.I. STA. 16+93.08 -FLYOVER-  
 Δ = 76°-32'-14.0" (LT)  
 D = 15°-26'-37.0"  
 L = 495.59'  
 T = 292.67'  
 R = 371.00'

P.I. STA. 20+93.23 -FLYOVER-  
 Δ = 49°-47'-19.3" (LT)  
 D = 13°-28'-52.9"  
 L = 369.32'  
 T = 197.23'  
 R = 425.00'



DocuSigned by:  
 K.W. Alford  
 F245838008F40E  
 4/13/2016

PROJECT NO. B-5121/B-5317  
 WAKE COUNTY

STATION: 20+19.94 -FLYOVER-  
 50+59.47 -L-  
 SHEET 1 OF 4 REPLACES BRIDGE #213

STATE OF NORTH CAROLINA  
 DEPARTMENT OF TRANSPORTATION  
 RALEIGH

GENERAL DRAWING  
 FOR BRIDGE ON WADE AVE.  
 (US 70 / NC 50)  
 OVER CAPITAL BLVD. &  
 PIGEON HOUSE BRANCH



DocuSigned by:  
 J. M. Bailey  
 9026554D9258471  
 4/14/2016

DRAWN BY : K.W. ALFORD DATE : 2/2016  
 CHECKED BY : J.L. AVERETTE DATE : 2/2016

DOCUMENT NOT CONSIDERED  
 FINAL UNLESS ALL  
 SIGNATURES COMPLETED

REVISIONS						SHEET NO.
NO.	BY:	DATE:	NO.	BY:	DATE:	S-44
1			3			TOTAL SHEETS 110
2			4			