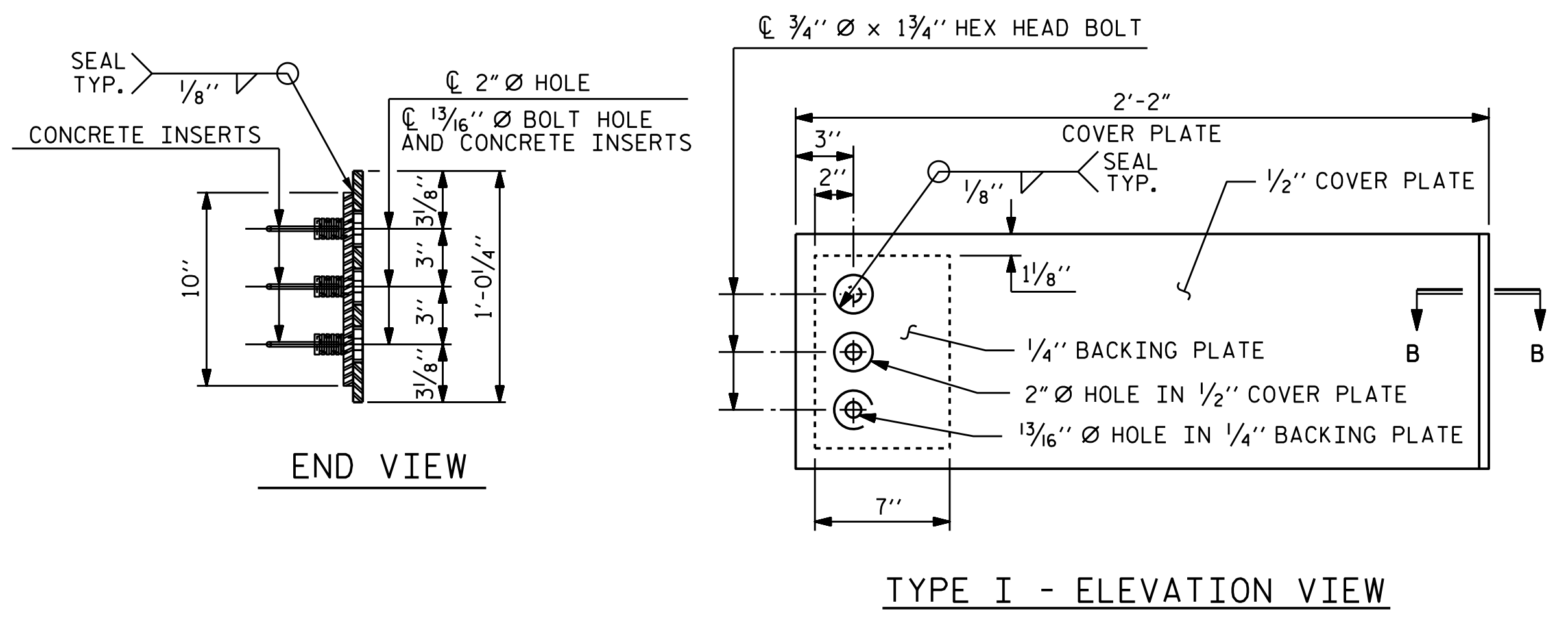
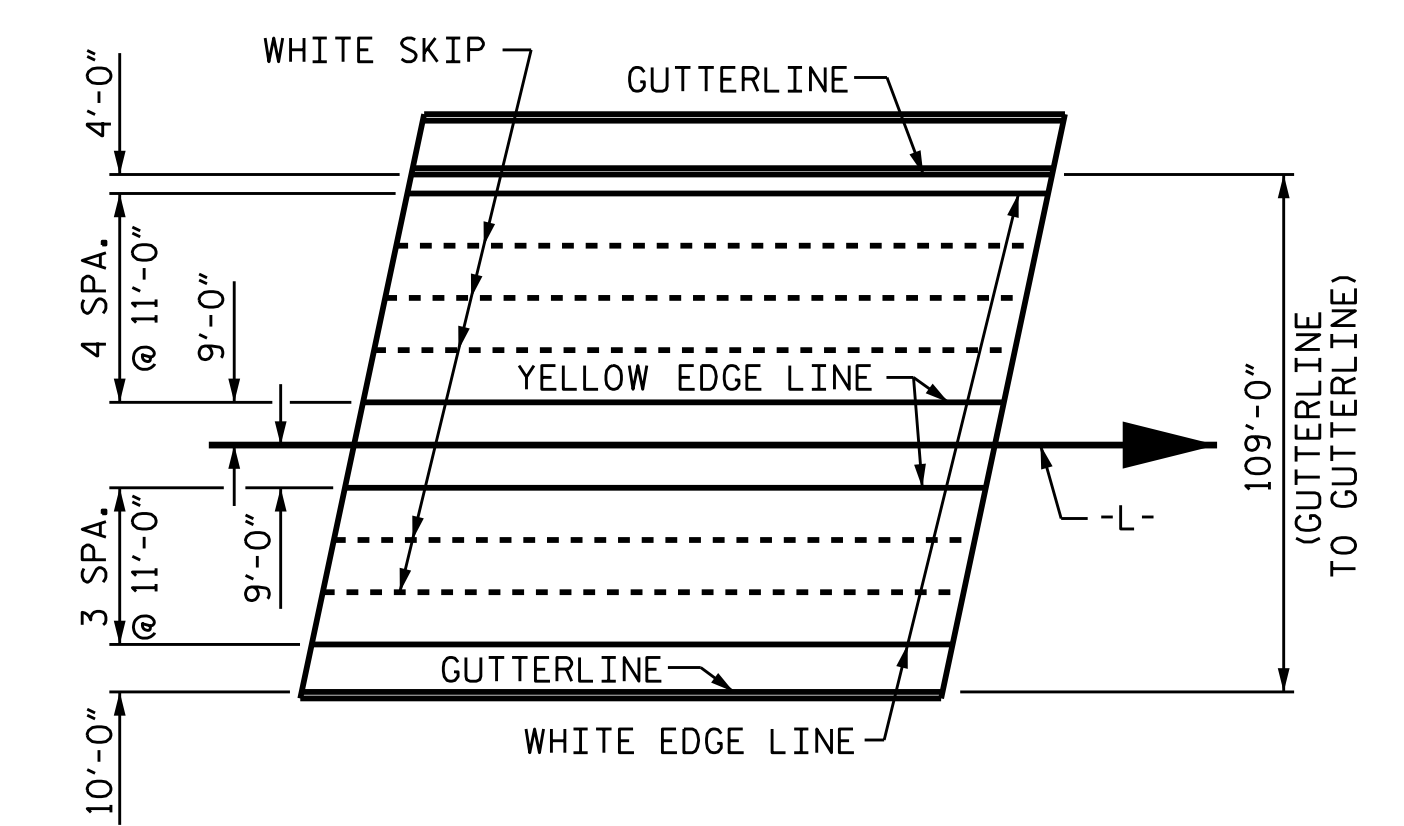


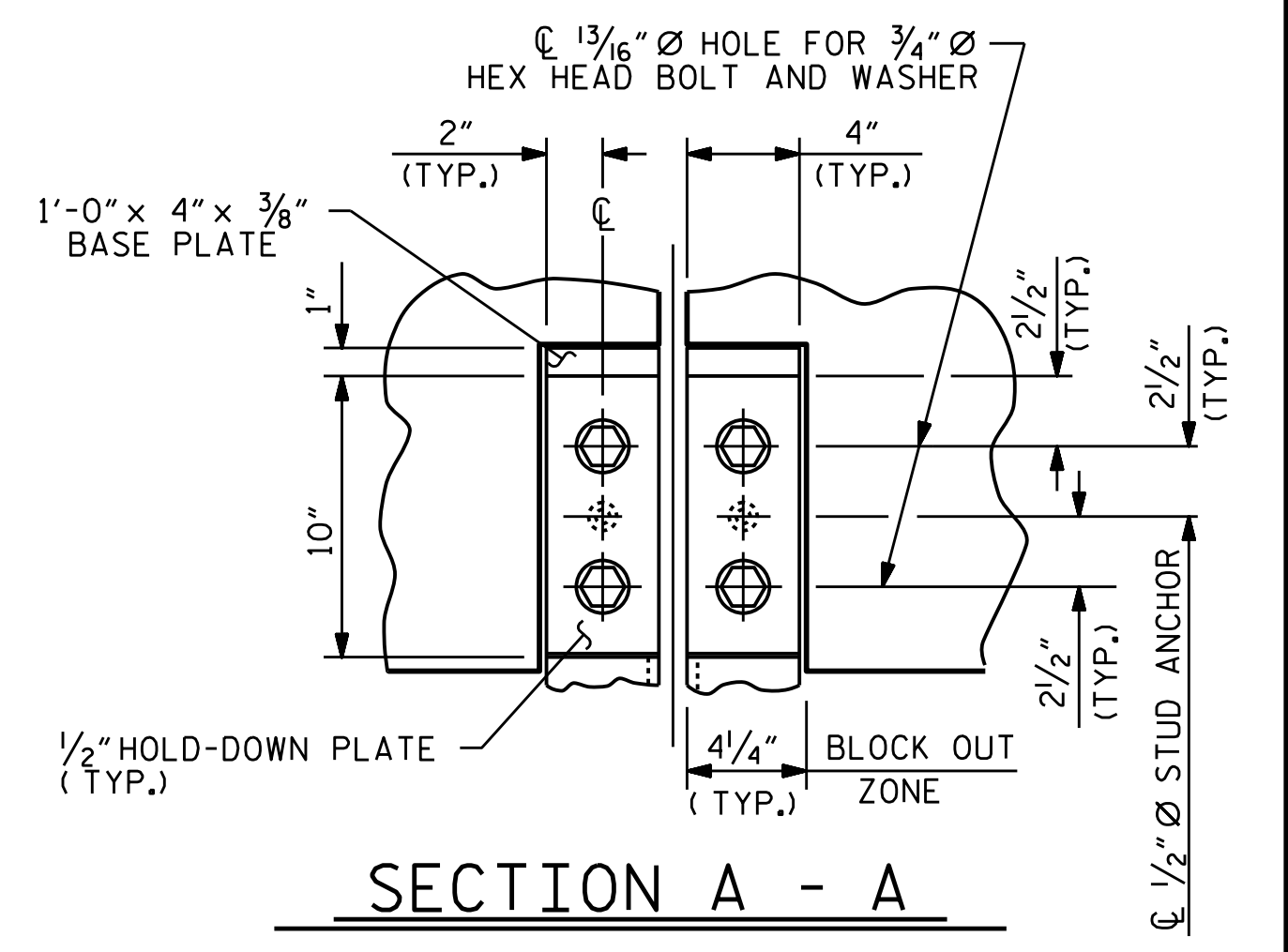
**SECTION THRU RAIL NORMAL TO JOINT**



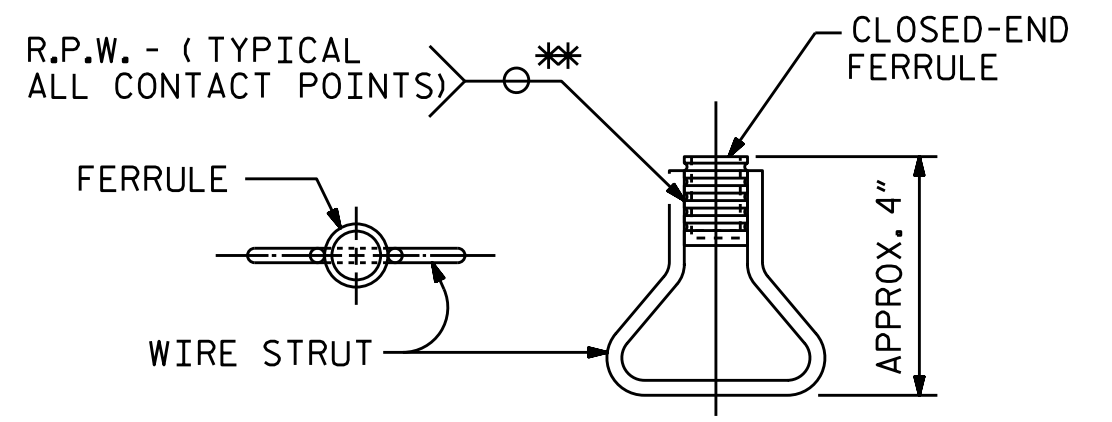
**COVER PLATE DETAILS**



**PAVEMENT MARKING ALIGNMENT**



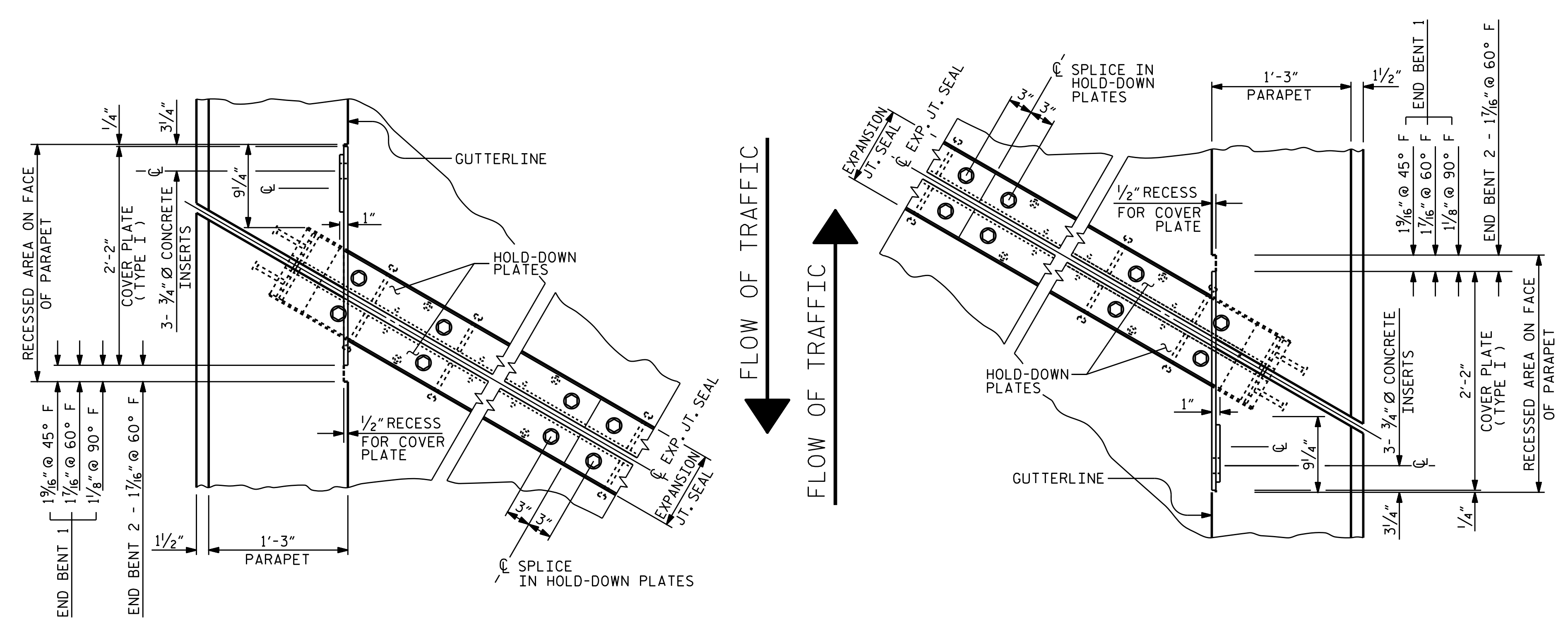
**SECTION A - A**



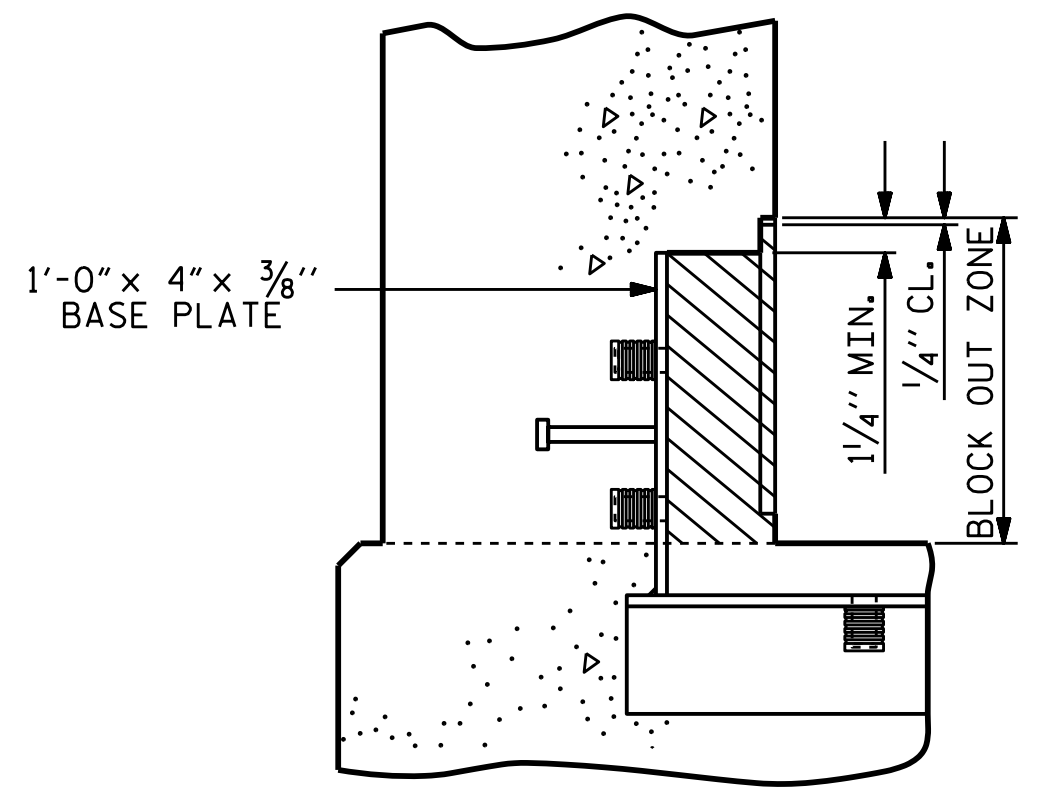
**PLAN ELEVATION**

**CONCRETE INSERT**

\* EACH WELDED ATTACHMENT OF WIRE TO FERRULE SHALL DEVELOP THE TENSILE STRENGTH OF THE WIRE.

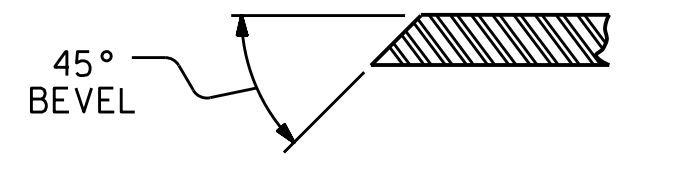


**PLAN OF EXPANSION JOINT SEAL**



**BLOCK OUT DETAIL**

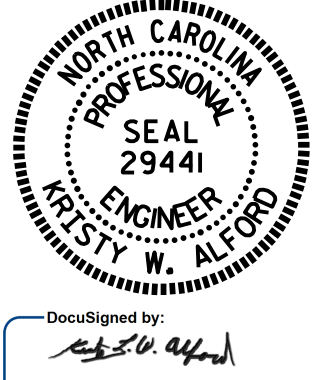
SEE "SECTION A - A" FOR OTHER DETAILS.



**SECTION B - B**

PROJECT NO. B-5121/B-5317  
 WAKE COUNTY  
 STATION: 22+06.91 -L-

SHEET 2 OF 2



STATE OF NORTH CAROLINA  
 DEPARTMENT OF TRANSPORTATION  
 RALEIGH  
 EXPANSION JOINT  
 SEAL DETAILS  
 FOR BARRIER RAIL

ASSEMBLED BY : T.L. AVERETTE	DATE : 12-15
CHECKED BY : J.P. ADAMS	DATE : 2-16
DESIGN ENGINEER OF RECORD : T.L. AVERETTE	DATE : 2-16
DRAWN BY : REK 9/87	REV. 10/1/11 MAA/GM
CHECKED BY : CRK 10/87	REV. 7/12 MAA/GM
	REV. 6/13 MAA/GM

DOCUMENT NOT CONSIDERED FINAL UNLESS ALL SIGNATURES COMPLETED

REVISIONS						SHEET NO.	
NO.	BY:	DATE:	NO.	BY:	DATE:	S-24	
1			3			TOTAL SHEETS 110	
2			4				