

NOTES

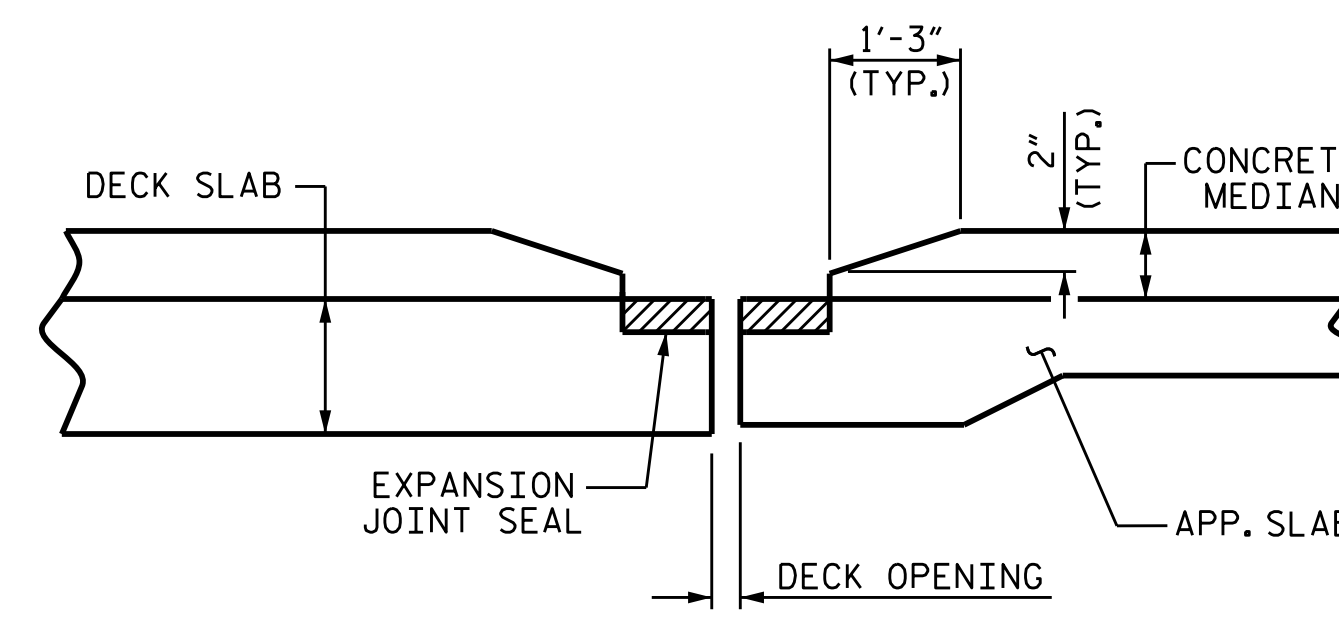
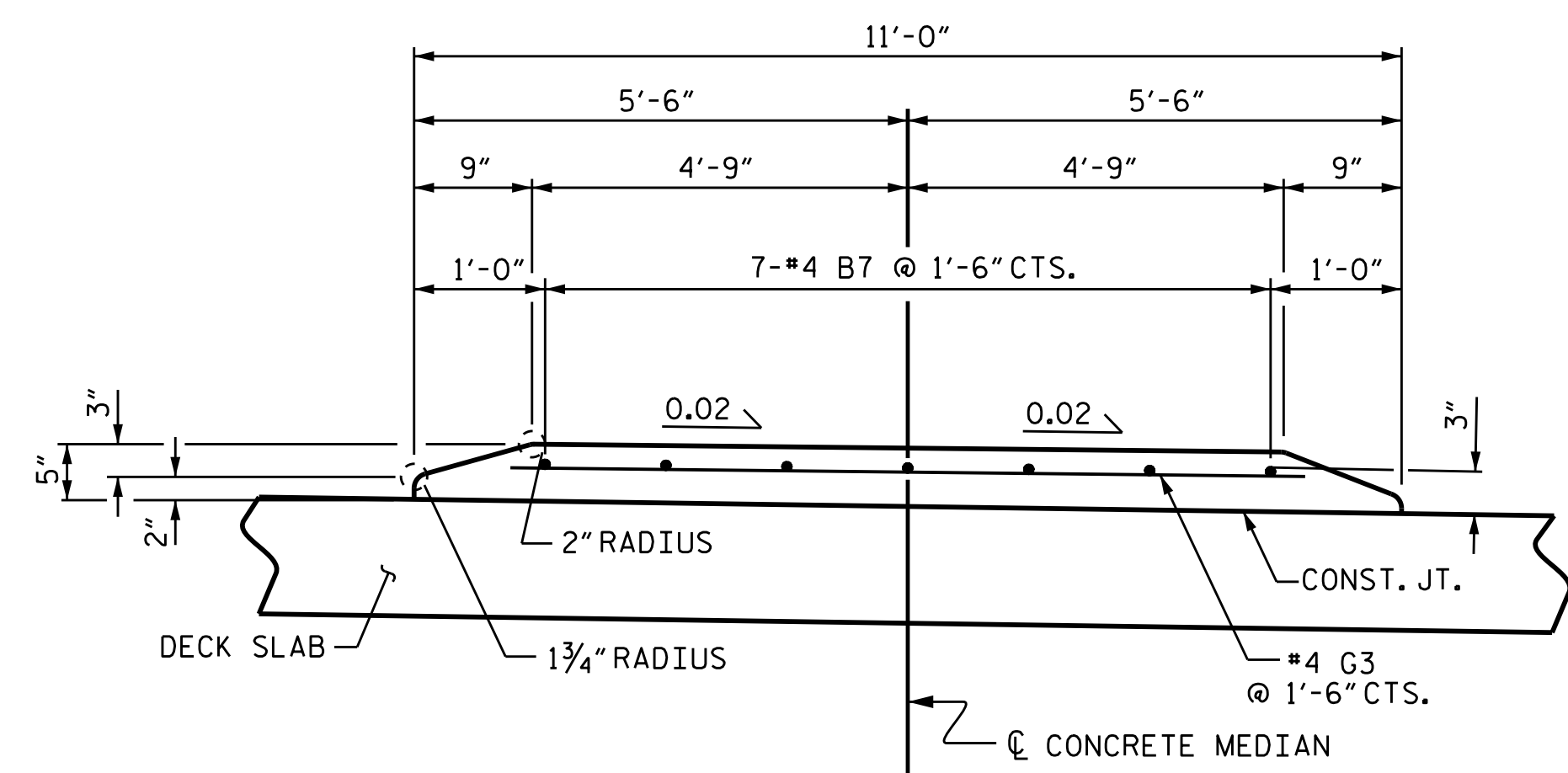
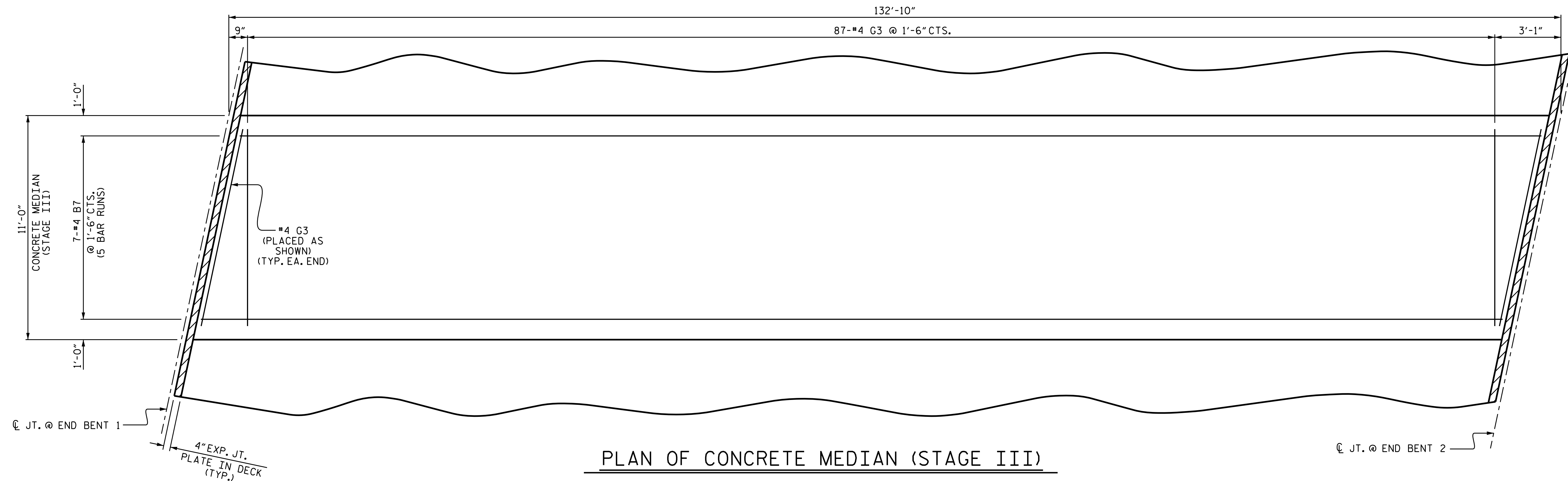
GROOVED CONTRACTION JOINTS, 1/2" IN DEPTH, SHALL BE TOOLED IN ALL EXPOSED FACES OF THE MEDIAN IN ACCORDANCE WITH ARTICLE 825-10(B) OF THE STANDARD SPECIFICATIONS. THE CONTRACTION JOINTS SHALL BE LOCATED AT A SPACING OF 8 FT. TO 10 FT. BETWEEN EXPANSION JOINTS. NO CONTRACTION JOINT WILL BE REQUIRED FOR SEGMENTS LESS THAN 10 FT. IN LENGTH.

ALL REINFORCING STEEL IN THE CONCRETE MEDIAN SHALL BE EPOXY COATED.

MEDIAN IN THE SPAN SHALL NOT BE CAST UNTIL ALL SLAB CONCRETE IN THE SPAN HAS BEEN CAST AND HAS REACHED A MINIMUM COMPRESSIVE STRENGTH OF 3,000 PSI.

FOR CONCRETE MEDIAN REINFORCING STEEL AND CONCRETE QUANTITIES, SEE SUPERSTRUCTURE "BILL OF MATERIAL."

FOR CONCRETE MEDIAN ON APPROACH SLAB, SEE APPROACH SLAB SHEETS.



CONCRETE MEDIAN DETAILS

PROJECT NO. B-5121/B-5317
 WAKE COUNTY
 STATION: 22+06.91 -L-



STATE OF NORTH CAROLINA
 DEPARTMENT OF TRANSPORTATION
 RALEIGH
 SUPERSTRUCTURE
 CONCRETE MEDIAN
 STAGE III

DRAWN BY : I.L. AVERETTE DATE : 1-16
 CHECKED BY : J.P. ADAMS DATE : 2-16
 DESIGN ENGINEER OF RECORD : I.L. AVERETTE DATE : 2-16

DOCUMENT NOT CONSIDERED FINAL UNLESS ALL SIGNATURES COMPLETED

REVISIONS						SHEET NO.
NO.	BY:	DATE:	NO.	BY:	DATE:	S-21
1			3			TOTAL SHEETS
2			4			110