

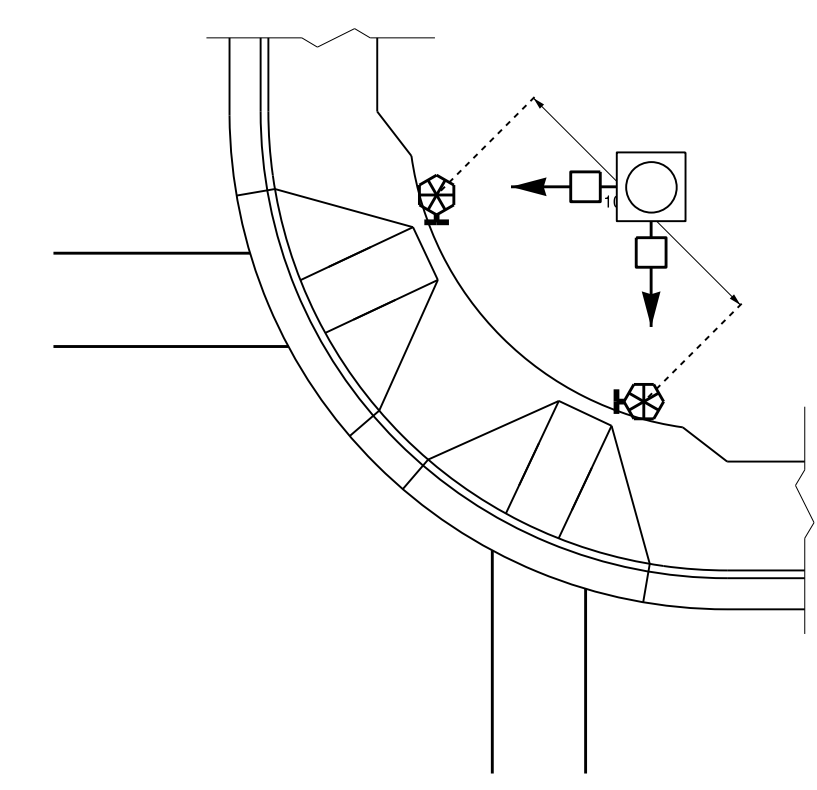
STATE OF NORTH CAROLINA
DEPT. OF TRANSPORTATION
DIVISION OF HIGHWAYS
RALEIGH, N.C.

06-14

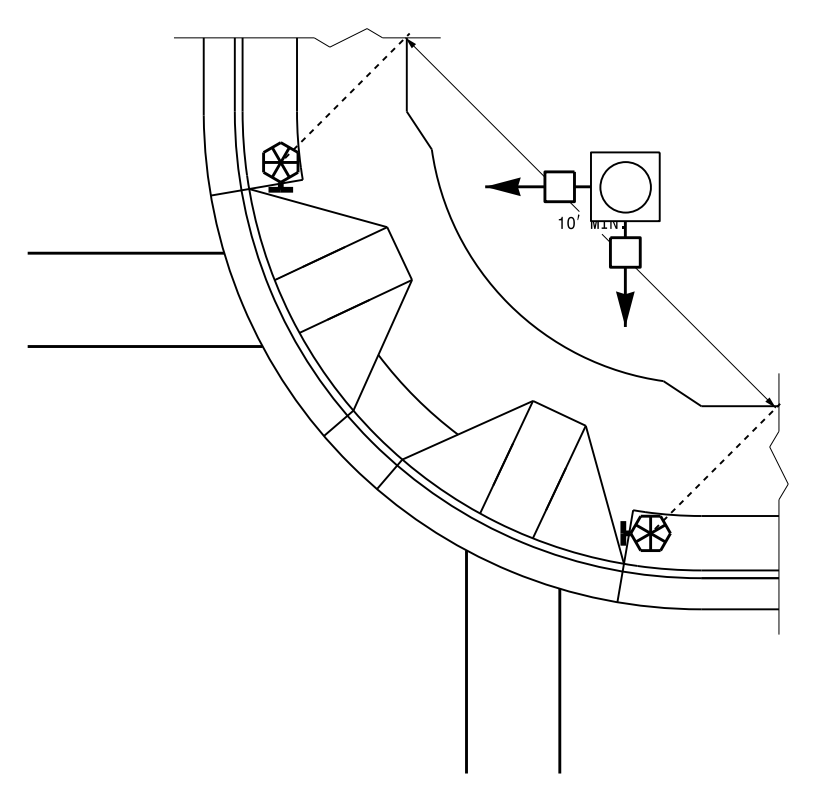
ENGLISH DETAIL DRAWING FOR
PEDESTRIAN PUSHBUTTON LOCATIONS
PLACEMENT DETAIL

SHEET 2 OF 3
1705D01

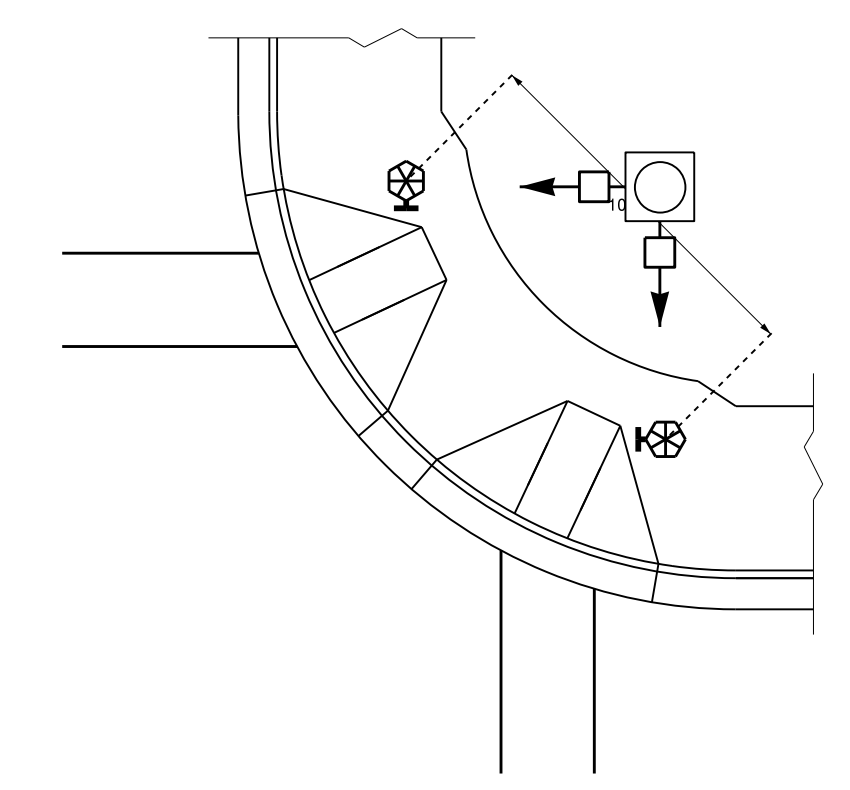
TYPICAL PUSHBUTTON LOCATIONS (CASE I)
SEPARATE CURB RAMPS W/ TYPE I PEDESTALS



BACK OF SIDEWALK IS WITHIN 10'
OF CURB OR PAVEMENT/SHOULDER

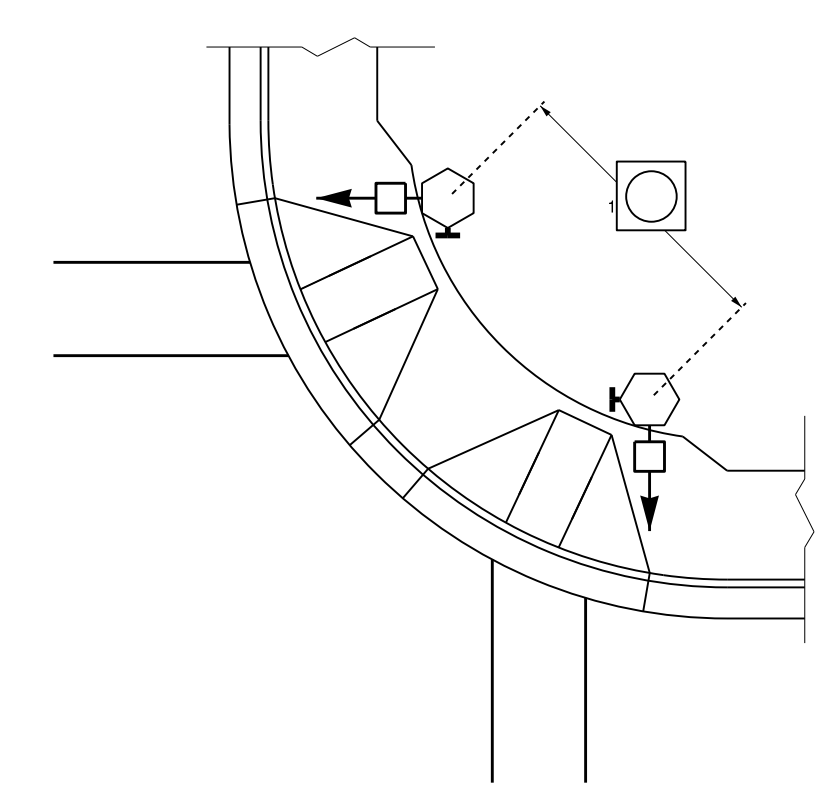


GRASS STRIP PLACEMENT IF BACK
OF SIDEWALK EXCEEDS 10' FROM
CURB OR PAVEMENT/SHOULDER

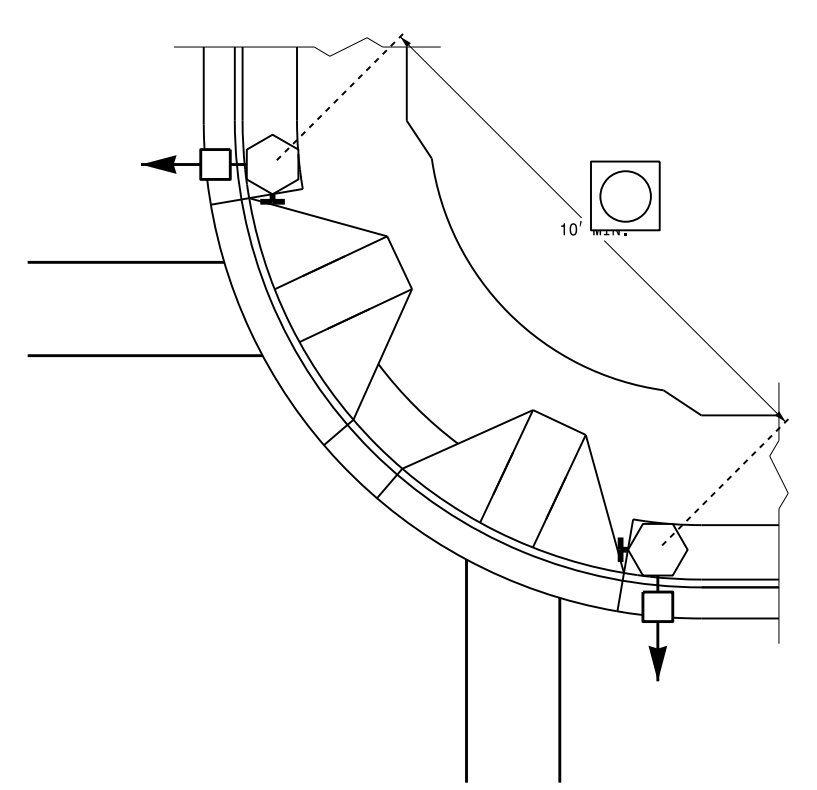


PUSHBUTTON PLACEMENT
IN WIDE SIDEWALK

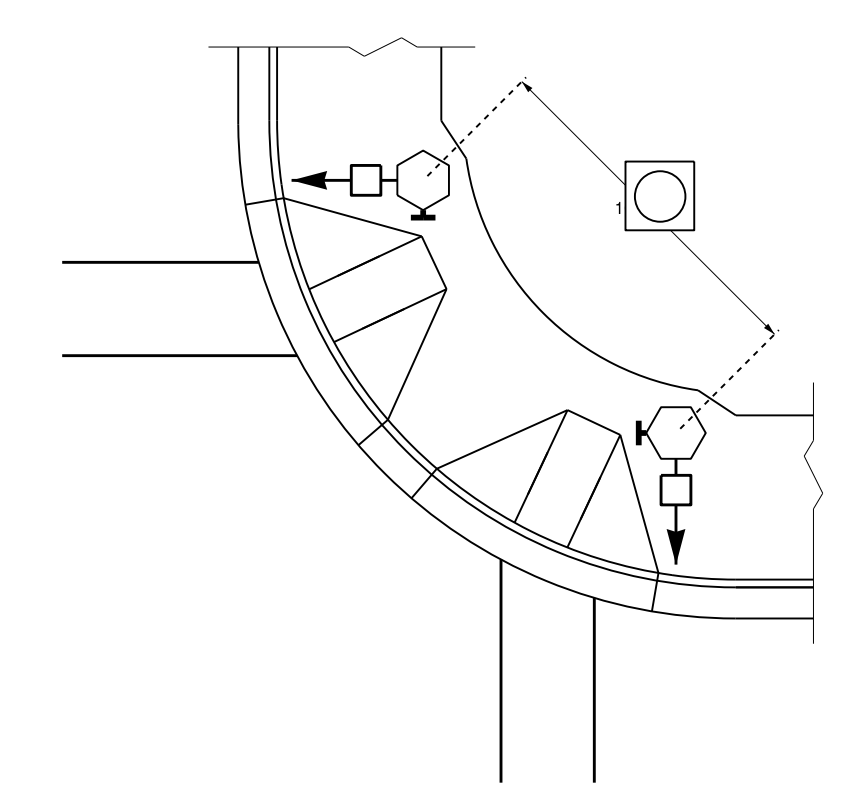
TYPICAL PUSHBUTTON LOCATIONS (CASE II)
SEPARATE CURB RAMPS W/ TYPE II PEDESTALS



BACK OF SIDEWALK IS WITHIN 10'
OF CURB OR PAVEMENT/SHOULDER



GRASS STRIP PLACEMENT IF BACK
OF SIDEWALK EXCEEDS 10' FROM
CURB OR PAVEMENT/SHOULDER



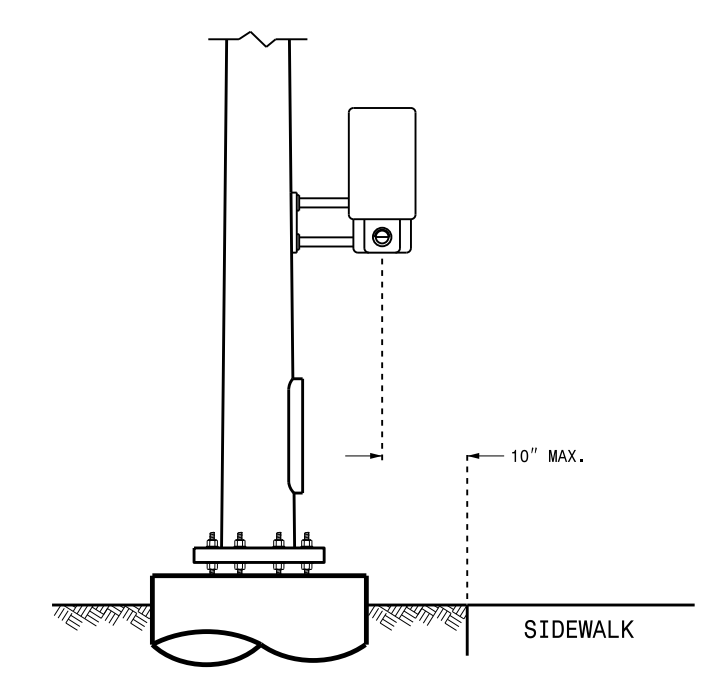
PUSHBUTTON PLACEMENT
IN WIDE SIDEWALK

PROPOSED

	Signal Pole
	Type I Pushbutton Post
	Type II Signal Pedestal
	Pushbutton & Sign
	Pedestrian Signal Head
	Curb Ramp
	Pushbutton Location Area

LEGEND

OPTIONAL PUSHBUTTON EXTENSION
FACE OF PUSHBUTTON PARALLEL TO
APPLICABLE CROSSWALK



STATE OF NORTH CAROLINA
DEPT. OF TRANSPORTATION
DIVISION OF HIGHWAYS
RALEIGH, N.C.

06-14

ENGLISH DETAIL DRAWING FOR
PEDESTRIAN PUSHBUTTON LOCATIONS
PLACEMENT DETAIL

SHEET 2 OF 3
1705D01

See Plate for Title

Prepared in the Offices of:

750 N. Greenfield Parkway
Garner, NC 27529

SEAL

DocuSigned by:

1888488274464

SIGNATURE DATE

6/17/2014

06-1406-2014.r16.s38
 S:\1705D01\SIGNAL Design Section\Central Region\Rob's Files\Red State\Pushbutton Drawings\Pushbutton Place Drawings\20140617.dgn
 rz1emba