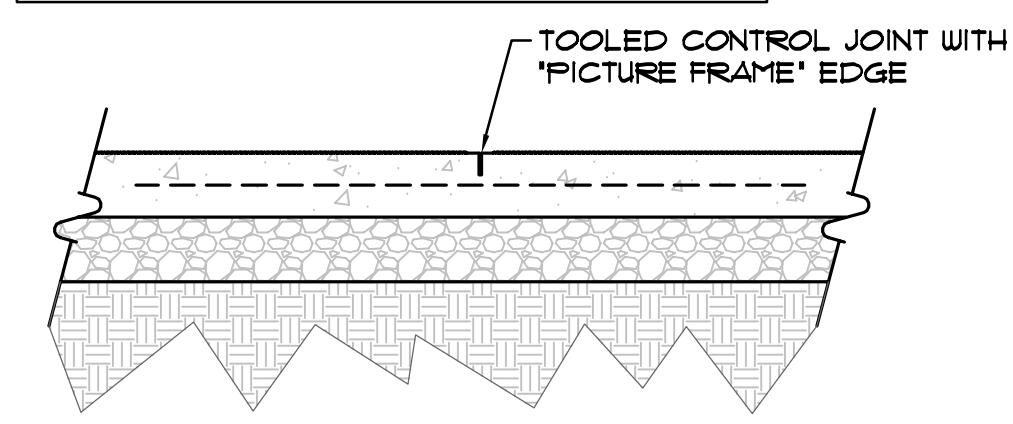


1 CONCRETE SIDEWALK
LD-1 SCALE: 1"=1'-0"
SECTION

CONCRETE SIDEWALK NOTE:
SEE DETAIL 1, LD-1 FOR SIMILAR
CONSTRUCTION

CONTROL JOINT NOTE:
SEE HARDSCAPE PLANS FOR LOCATIONS
AND PATTERN SHALL BE (CAPITAL CITY
GRID) PER DETAIL 5, LD-1.

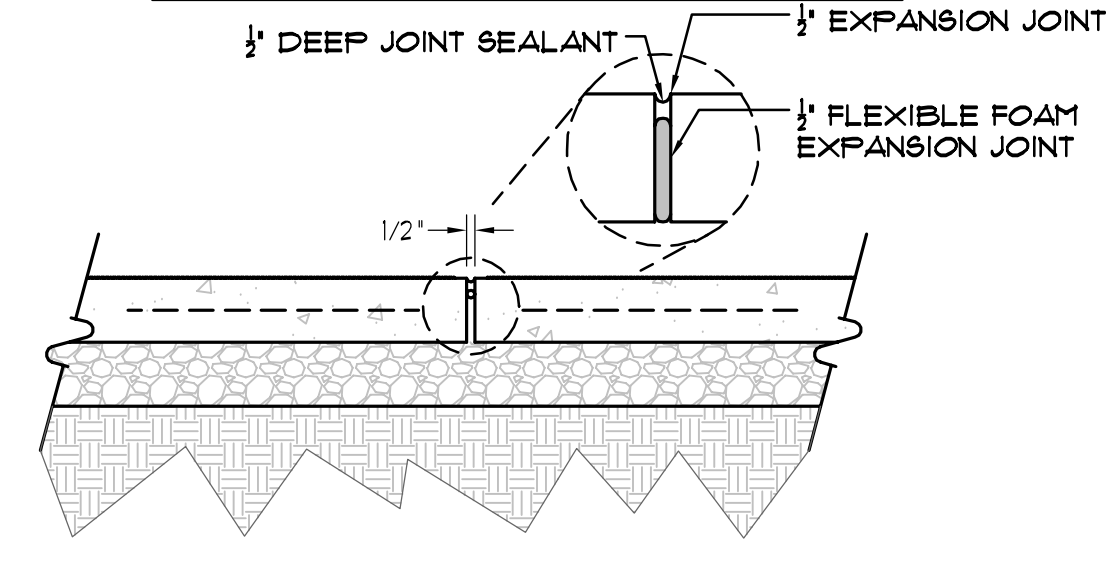


CONCRETE FLATWORK NOTE:
SEE DETAIL 1, LD-1 FOR SIMILAR
CONSTRUCTION

EXPANSION JOINT NOTE:
SEE HARDSCAPE PLANS FOR LOCATIONS
AND PATTERN, MAX. 30' O.C.

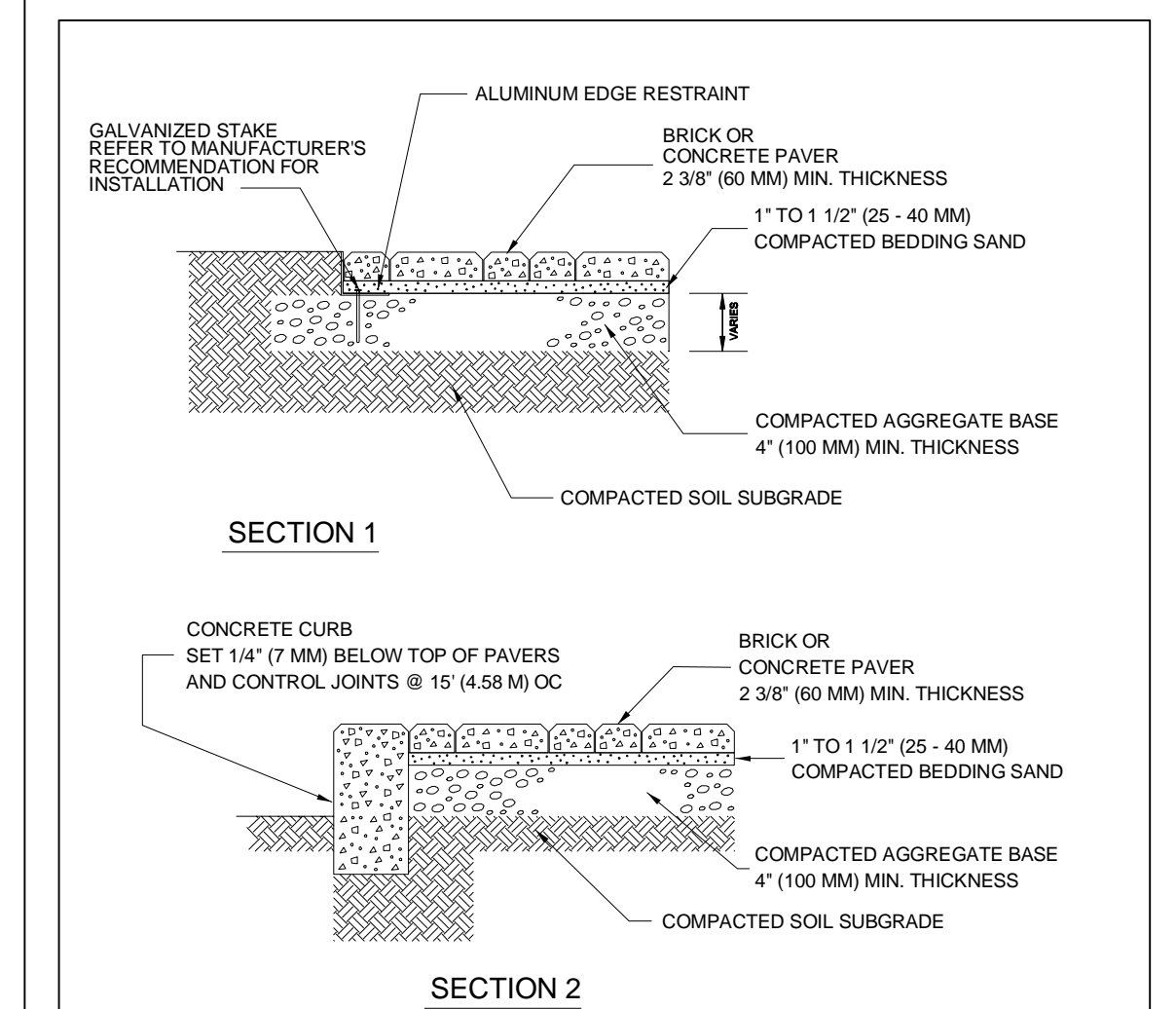
EXPANSION JOINT MATERIAL NOTE:
MANUFACTURER: W.R. MEADOWS
PRODUCT: 'SNAP-CAP' EXPANSION
JOINT CAP (1/2" WIDE X 1/2"
DEEP)
CERAMAR

EXPANSION JOINT SEALANT NOTE:
MANUFACTURER: SIKKA
PRODUCT: SIKAFLEX-IC SL
COLOR: 'LIMESTONE' (STANDARD)



3 CONCRETE SIDEWALK EXPANSION JOINT
LD-1 SCALE: 1"=1'-0"
SECTION

2 CONCRETE SIDEWALK CONTROL JOINT
LD-1 SCALE: 1"=1'-0"
SECTION

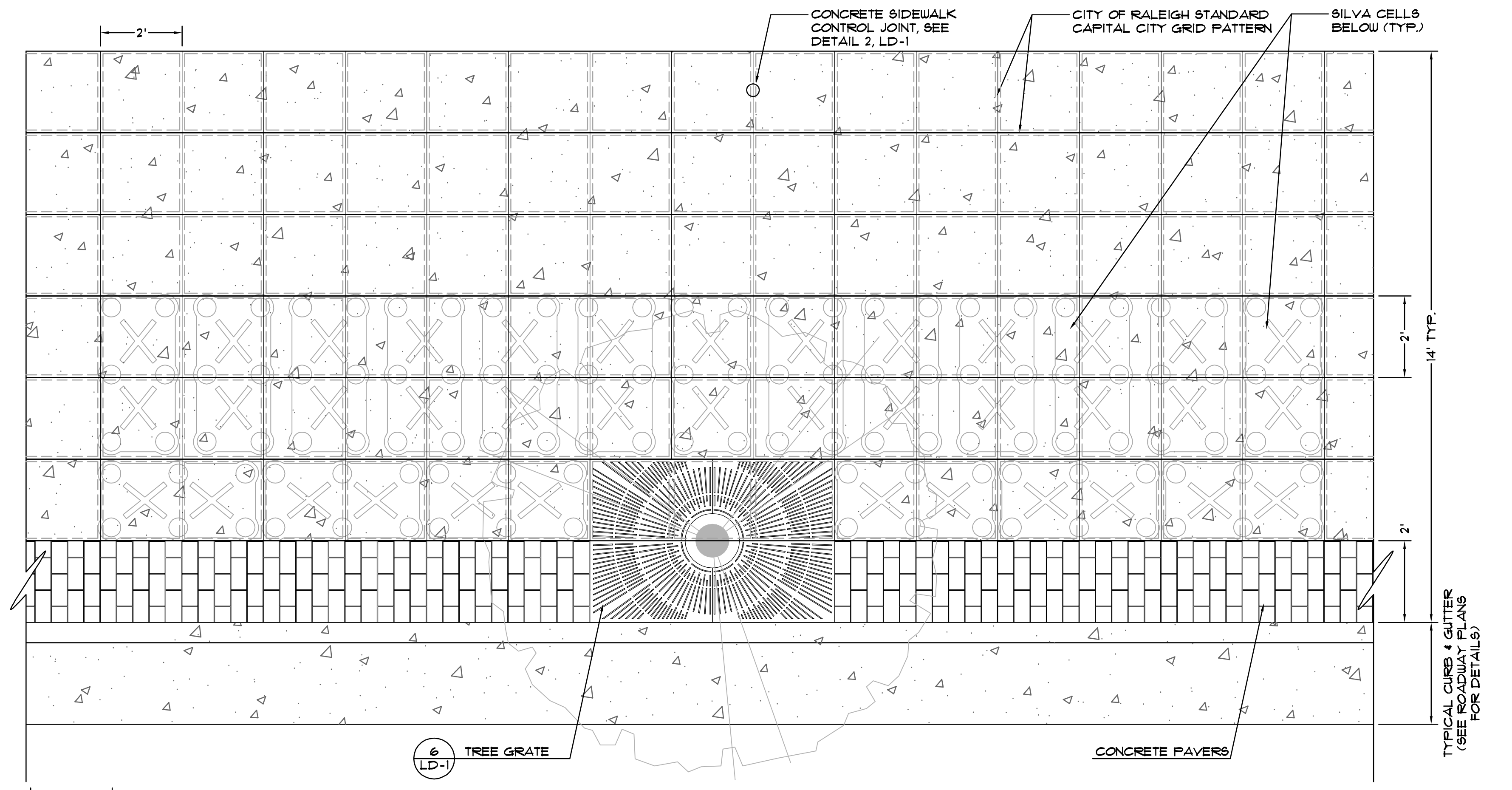


NOTES:
1. BRICK OR CONCRETE PAVERS ALLOWED ONLY UNDER SPECIAL CONDITIONS.
2. THICKNESS OF BASE MAY VARY WITH SUBGRADE/TRAFFIC CONDITIONS.
3. SCATTER SAND OR SCREENINGS OVER COMPLETE WORK AND SWEEP INTO CRACKS.
4. CONCRETE PAVERS SHOULD CONFORM TO REQUIREMENTS OF ASTM C-1319.
5. BRICK PAVERS SHOULD CONFORM TO REQUIREMENTS OF ASTM C902-95
6. SEE CITY OF RALEIGH CODE SECTION 10-7001 (D) FOR CONDITIONS UNDER WHICH CONCRETE / BRICK PAVERS ARE ALLOWED.

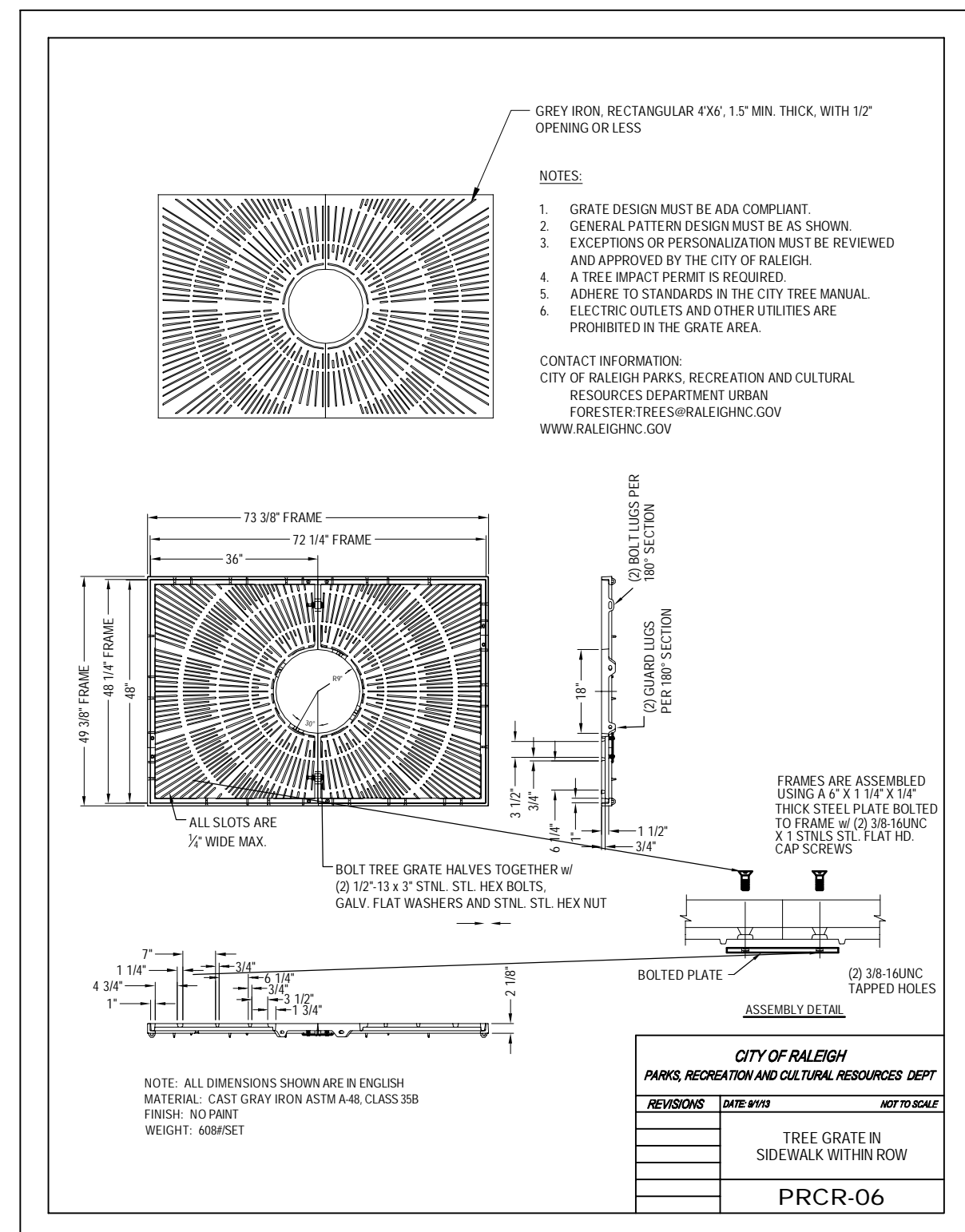
CITY OF RALEIGH PUBLIC WORKS DEPARTMENT		
REVISIONS	DATE	BY

T-30.03

4 CONCRETE PAVERS-SIDEWALK
LD-1 SCALE: NOT TO SCALE
SECTION



5 SIDEWALK LAYOUT PATTERN (CAPITAL CITY GRID)
LD-1 SCALE: 1/2"=1'-0"
PLAN



6 TREE GRATE
LD-1 SCALE: NOT TO SCALE
PLAN & SECTION

PRODUCT INFORMATION:
MANUFACTURER: NEENAH FOUNDRY
(OR APPROVED EQUAL)

PRODUCT: R-8815-1, 48"x12"x18" @ OPENING, TYPE U FRAME

COLOR: NATURAL PATINA FINISH

NOTE: FRAME AND GRATE SHALL BE ADA COMPLIANT.

CITY OF RALEIGH PARKS, RECREATION AND CULTURAL RESOURCES DEPT		
REVISIONS	DATE	BY

TREE GRATE IN SIDEWALK WITHIN ROW
PRCR-06

REVISIONS