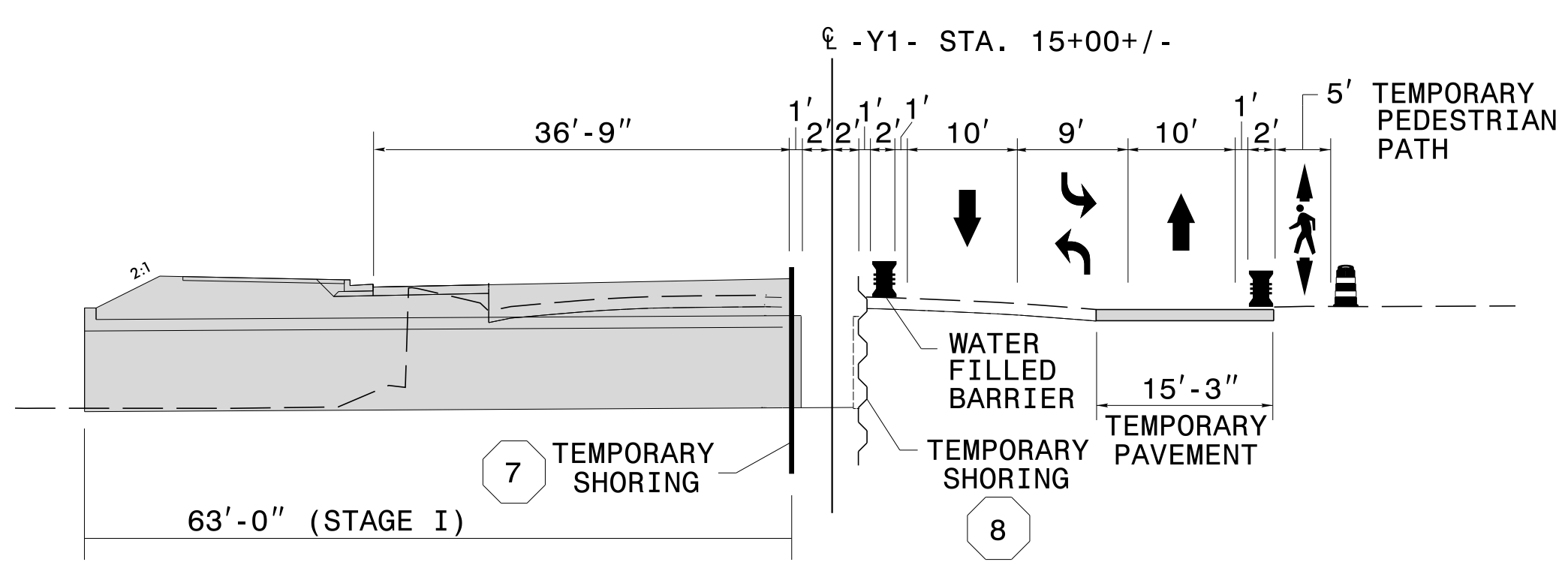


7	QUANTITY = 490 SF
TEMPORARY SHORING	
-Y1- STA. 14+85.00+/-, 2.0' LT	
TO -Y1- STA. 15+34.00+/-, 2.0' LT	
8	QUANTITY = 490 SF
TEMPORARY SHORING	
-Y1- STA. 14+85.00+/-, 2.0' RT	
TO -Y1- STA. 15+34.00+/-, 2.0' RT	
(SEE SHEET TMP-2A1 FOR TEMPORARY SHORING NOTES)	

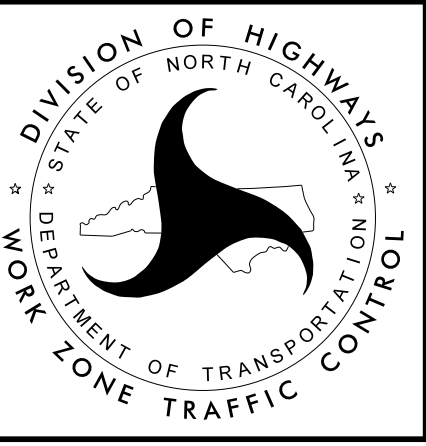


NOTES: PAVEMENT MARKINGS SHOWN ARE EXISTING UNLESS OTHERWISE NOTED. SEE TMP-1A FOR PAVEMENT MARKING SCHEDULE.

DOCUMENT NOT CONSIDERED FINAL UNLESS ALL SIGNATURES COMPLETED

APPROVED: _____ DATE: _____

SEAL



AREA II - PHASE I
STAGE I BOX CULVERT
-Y1- (W. PEACE ST.)

WETHERILL
ENGINEERING

1223 Jones Franklin Rd.
Raleigh, N.C. 27606
License No. F-0377
Bus: 919 851 8077
Fax: 919 851 8107

TRANSPORTATION PLANNING/DESIGN - BRIDGE/STRUCTURE DESIGN
 CIVIL/SITE DESIGN - GIS/GPS - CONSTRUCTION OBSERVATION

2/1/2016
 P:\2014\B-5121-B-5317\TrafficControl\Top\Current TMP Files\LANE'S CURRENT\Peace St\B5121B5317-TC_TMP_Peace_psh22A.dgn
 User:skennedy