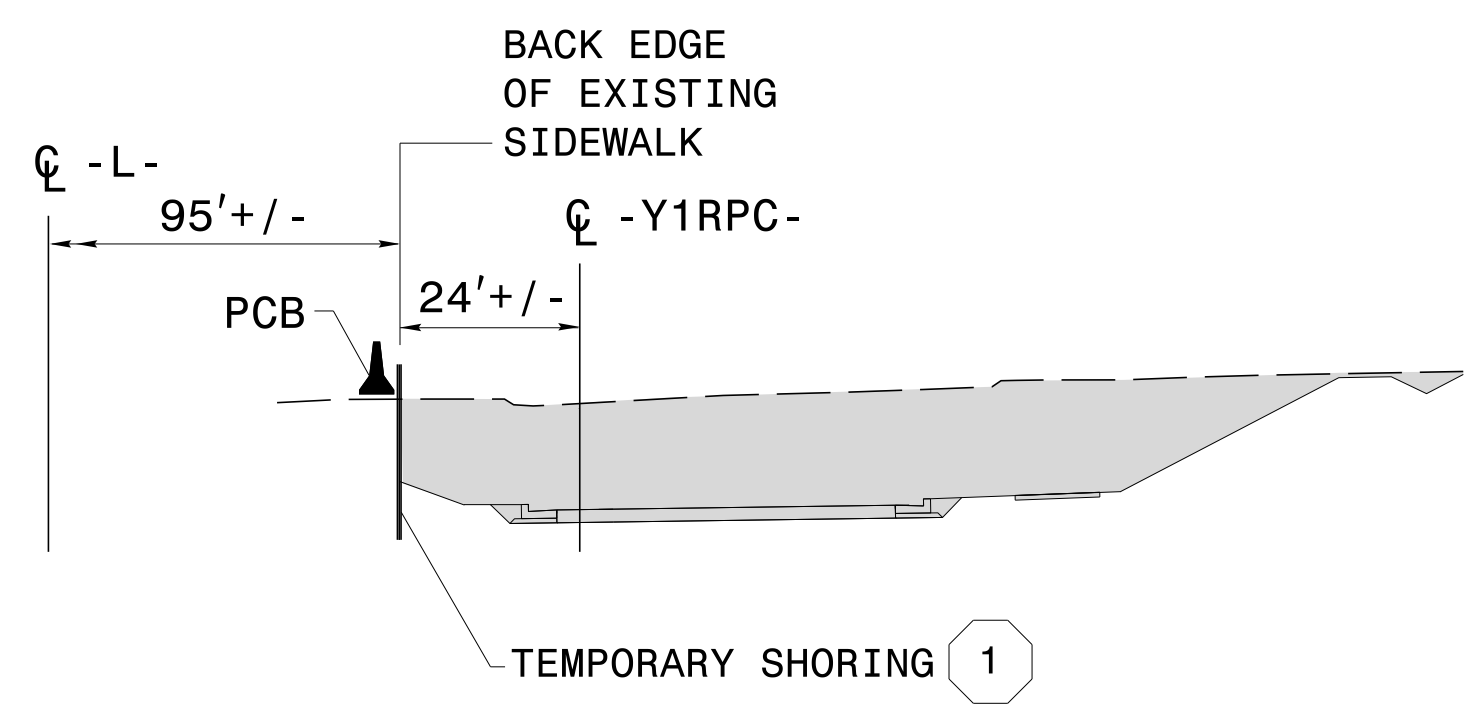
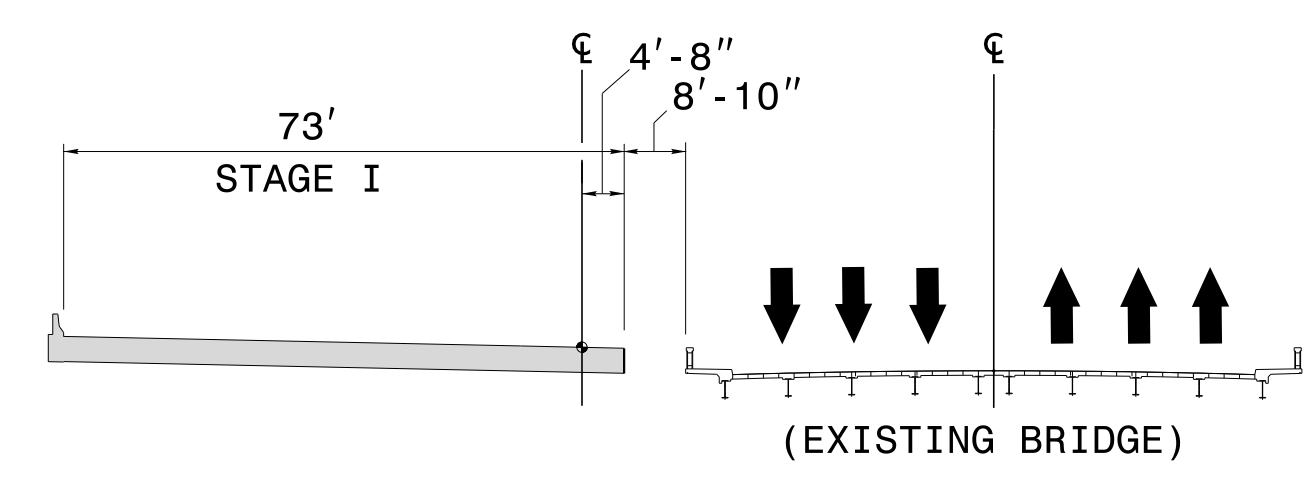


- 1 QUANTITY = 1670 SF
TEMPORARY SHORING
-L- STA. 19+50+/-, 95'+/- RT
TO -L- STA. 21+20+/-, 100'+/- RT
 - 2 QUANTITY = 722 SF
TEMPORARY SHORING
-L- STA. 21+00+/-, 13'+/- RT
TO -L- STA. 21+75+/-, 15'+/- RT
 - 3 QUANTITY = 900 SF
TEMPORARY SHORING
-L- STA. 19+50+/-, 7'+/- RT
TO -L- STA. 21+50+/-, 7'+/- RT
 - 4 QUANTITY = 623 SF
TEMPORARY SHORING
-L- STA. 22+45+/-, 14'+/- RT
TO -L- STA. 23+20+/-, 13'+/- RT
 - 5 QUANTITY = 575 SF
TEMPORARY SHORING
-L- STA. 22+67+/-, 10'+/- RT
TO -L- STA. 24+00+/-, 10'+/- RT
 - 6 QUANTITY = 935 SF
TEMPORARY SHORING
-L- STA. 23+15+/-, 115'+/- LT
TO -L- STA. 24+00+/-, 95'+/- LT
- (SEE SHEET TMP-2A FOR TEMPORARY SHORING NOTES)



NOTES: PAVEMENT MARKINGS ARE EXISTING UNLESS OTHERWISE NOTED.
SEE TMP-1A FOR PAVEMENT MARKING SCHEDULE.
SEE ROADWAY PLANS FOR -DETSB- TEMPORARY PAVEMENT.
* SEE TMP-20A & TMP-20B FOR CROSS SECTIONS FROM -L- STA. 19+00+/- TO -L- STA. 24+00+/-.
** PROTECTIVE CANOPY REQUIRED, SEE SPECIAL PROVISIONS.

DOCUMENT NOT CONSIDERED FINAL UNLESS ALL SIGNATURES COMPLETED

APPROVED: _____ DATE: _____

SEAL

DIVISION OF HIGHWAYS
STATE OF NORTH CAROLINA
DEPARTMENT OF TRANSPORTATION
WORK ZONE TRAFFIC CONTROL

AREA II - PHASE I TEMPORARY TRAFFIC CONTROL DETAIL

WETHERILL ENGINEERING

TRANSPORTATION PLANNING/DESIGN - BRIDGE/STRUCTURE DESIGN
CIVIL/SITE DESIGN - GIS/GPS - CONSTRUCTION OBSERVATION

1223 Jones Franklin Rd.
Raleigh, N.C. 27606
License No. F-0377
Bus: 919 851 8077
Fax: 919 851 8107

2/1/2016 P:\2014\B-5121\B-5317\TrafficControl\Top\Current TMP Files\LANE'S CURRENT\Peace St\B5121B5317_TC_TMP_Peace_psh20.dgn User:skennedy