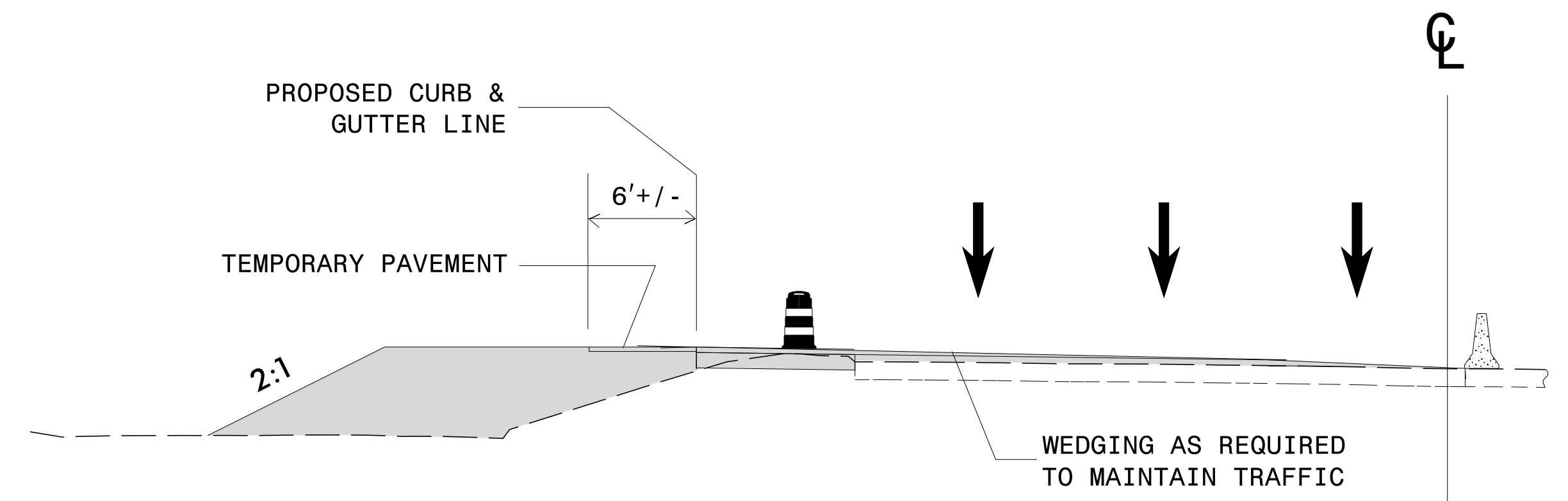
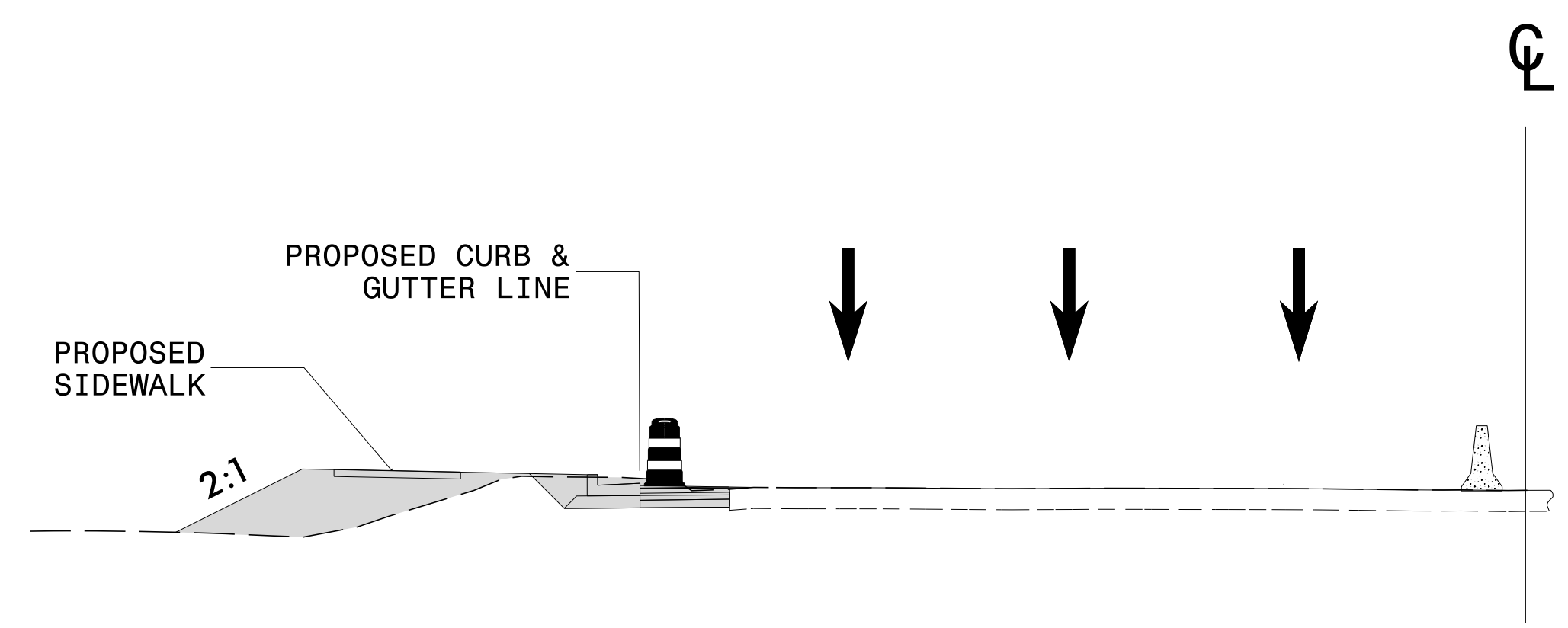


STA. 18+00 - L -



STA. 16+00 - L -



STA. 15+00 - L -

NOTE: SEE TMP-19 FOR TYPICAL SECTION LOCATIONS AND LIMITS.

2/1/2016 P:\2014\B-5121\B-5317\TrafficControl\Top\Current TMP Files\LANE'S CURRENT\Peace S+\B5121\B5317_TC_TMP_Peace_psh9A_xsc.dgn User:skennedy

<p>1223 Jones Franklin Rd. Raleigh, N.C. 27606 License No. F-0377 Bus: 919 851 8077 Fax: 919 851 8107</p> <p>TRANSPORTATION PLANNING/DESIGN - BRIDGE/STRUCTURE DESIGN CIVIL/SITE DESIGN - GIS/GPS - CONSTRUCTION OBSERVATION</p>	<p>DOCUMENT NOT CONSIDERED FINAL UNLESS ALL SIGNATURES COMPLETED</p> <p>APPROVED: _____ DATE: _____</p>		<p>DIVISION OF HIGHWAYS STATE OF NORTH CAROLINA DEPARTMENT OF TRANSPORTATION WORK ZONE TRAFFIC CONTROL</p>	<p>AREA II - PHASE I TEMPORARY TRAFFIC CONTROL DETAIL</p>
	<p>SEAL</p>			