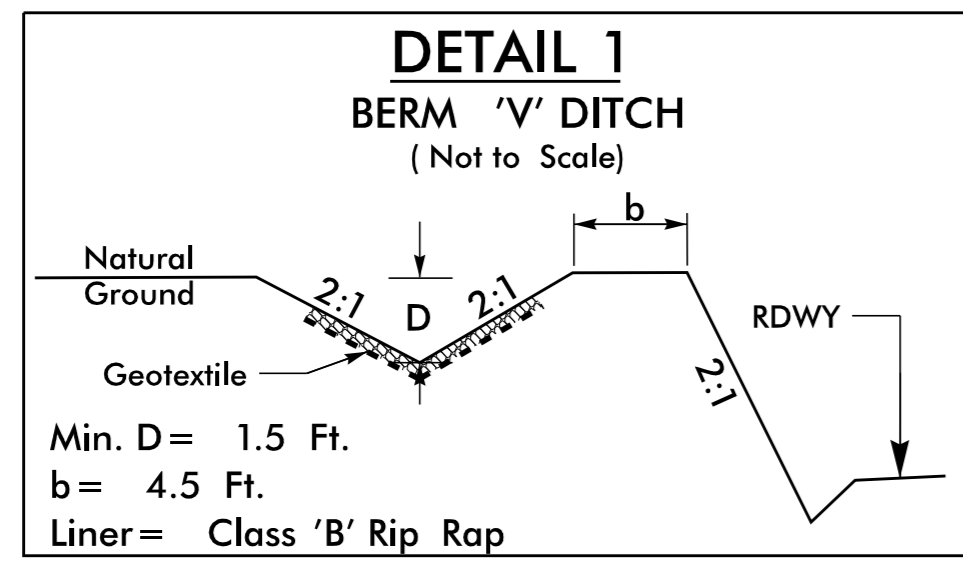
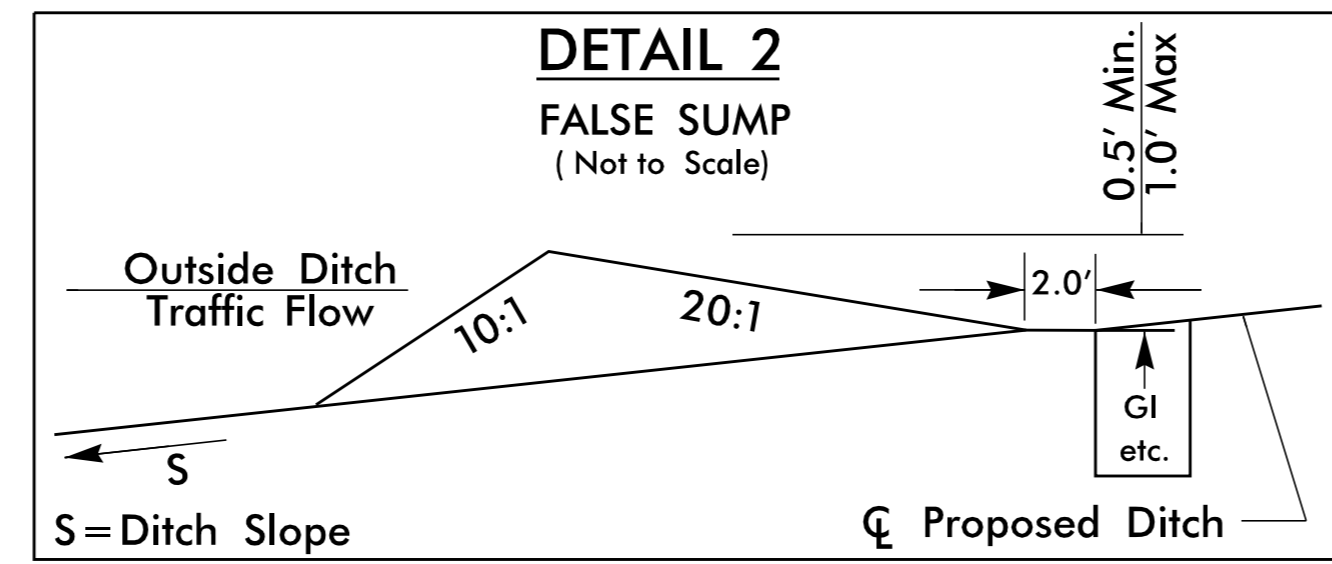


PROJECT REFERENCE NO. B-5121 / B-5317	SHEET NO. 20-1
R/W SHEET NO.	
ROADWAY DESIGN ENGINEER	HYDRAULICS ENGINEER
DOCUMENT NOT CONSIDERED FINAL UNLESS ALL SIGNATURES COMPLETED	

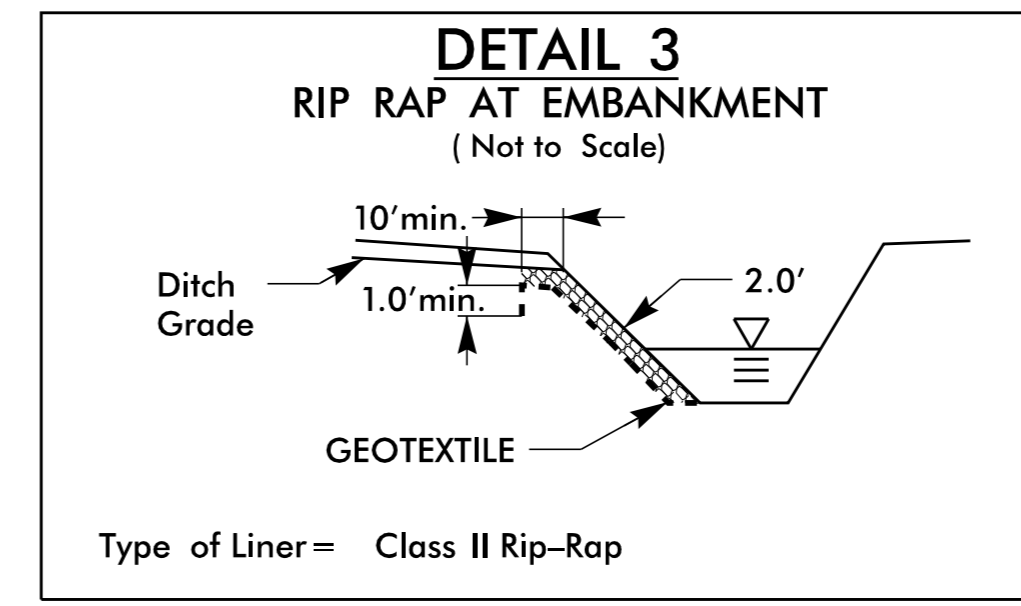
# DRAINAGE DETAILS



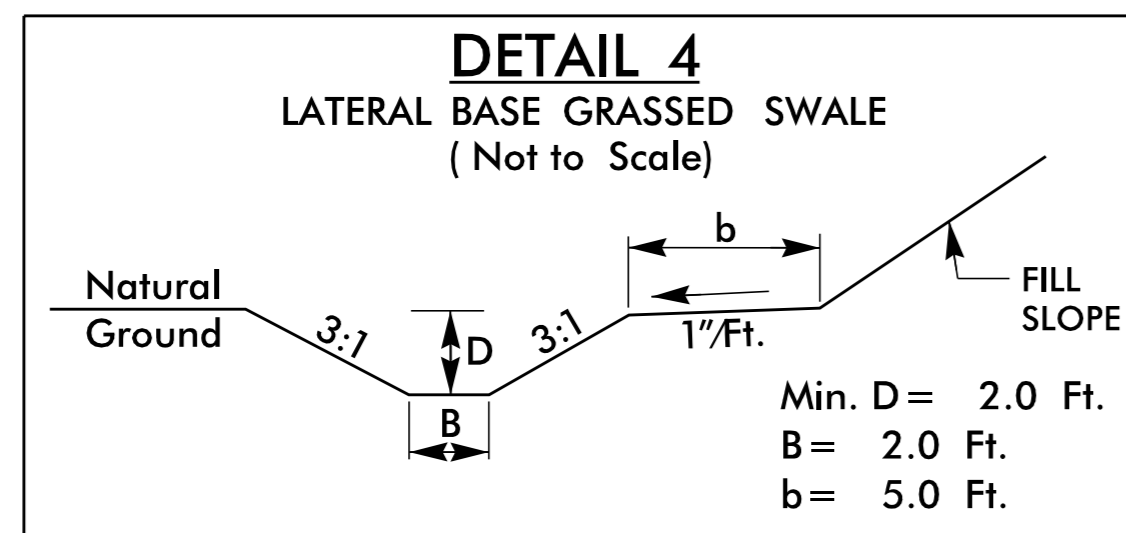
FROM -Y1- STA. 20+65 TO STA. 21+50 (RT)  
 FROM -Y1RPC- STA. 16+65 TO STA. 18+33.19 (RT)  
 SEE SHEET 5



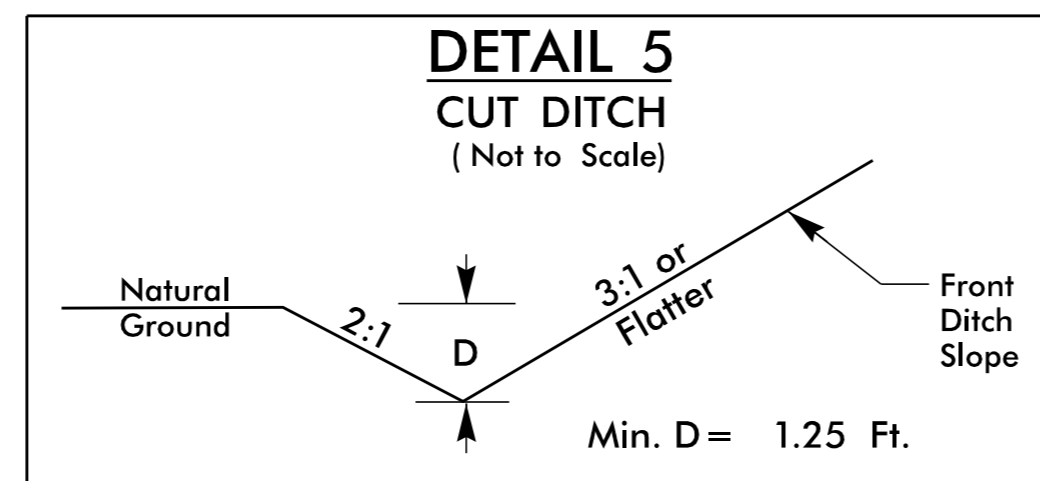
-Y1RPD- 13+00 (LT)  
 SEE SHEET 5  
 -G1- 11+37 (RT)  
 SEE SHEETS 2B-4 AND 7



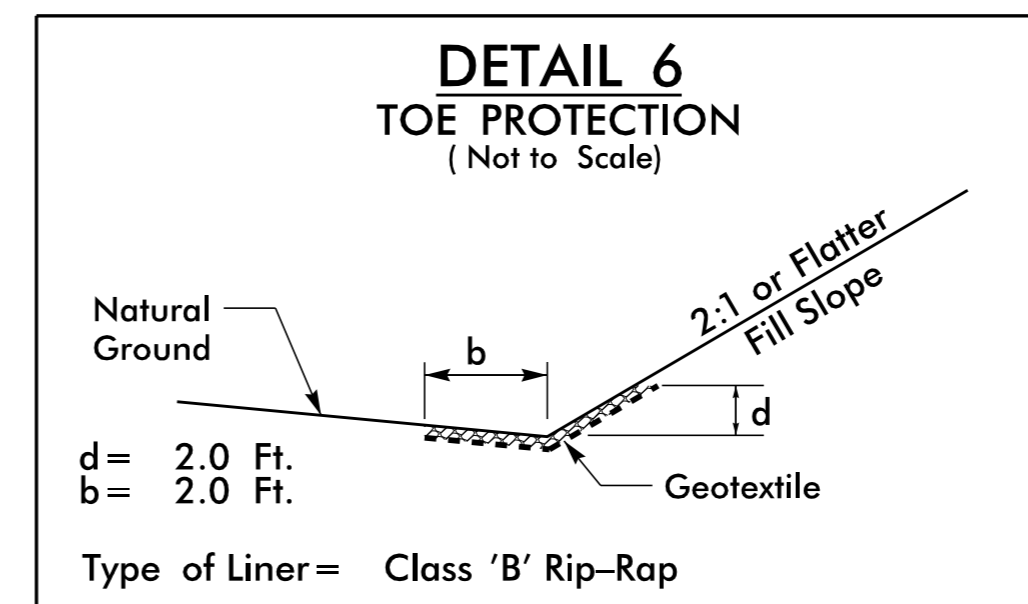
FROM -L- STA 49+45 TO 51+80 (LT)  
 -Y8- STA 10+95 (LT)  
 SEE SHEETS 2B-4 AND 7



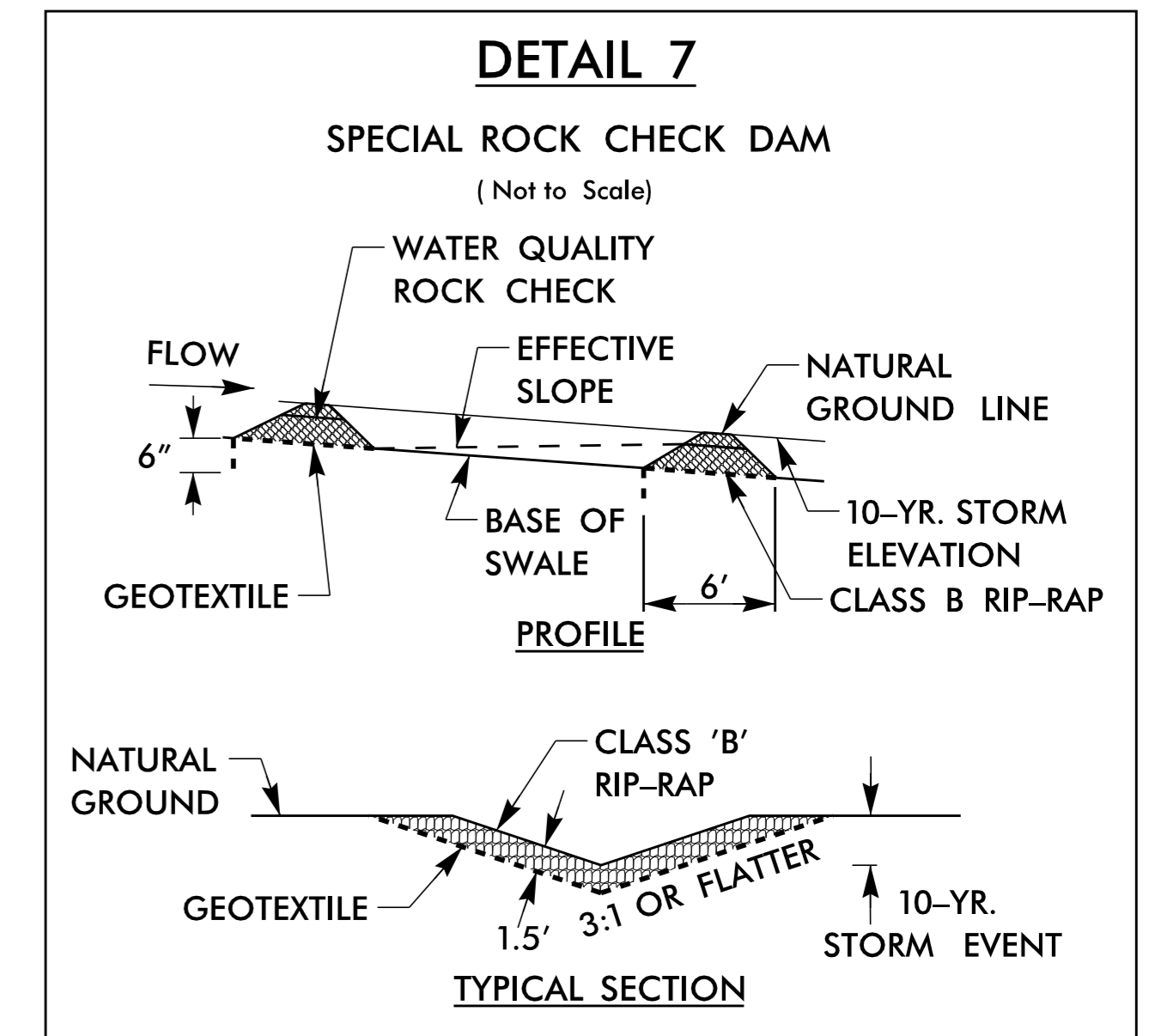
FROM -FLYOVER- STA 22+12 TO STA 23+70 (RT)  
 SEE SHEET 7



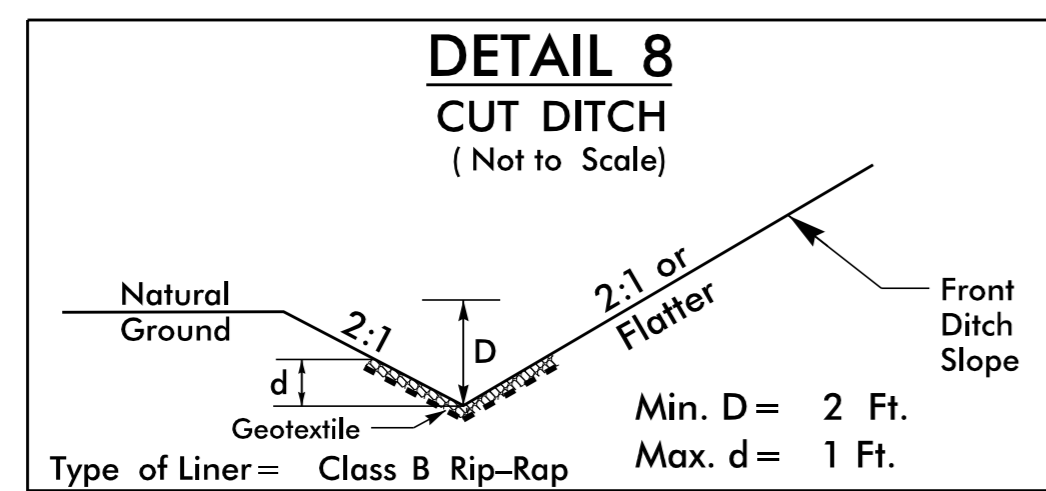
FROM -L- STA 51+00 TO STA 52+90 (RT)  
 FROM -FLYOVER- STA 13+25 TO STA 14+70 (RT)  
 SEE SHEET 7  
 FROM -Y1- STA 16+70 TO STA 17+27 (LT)  
 SEE SHEETS 5 AND 8



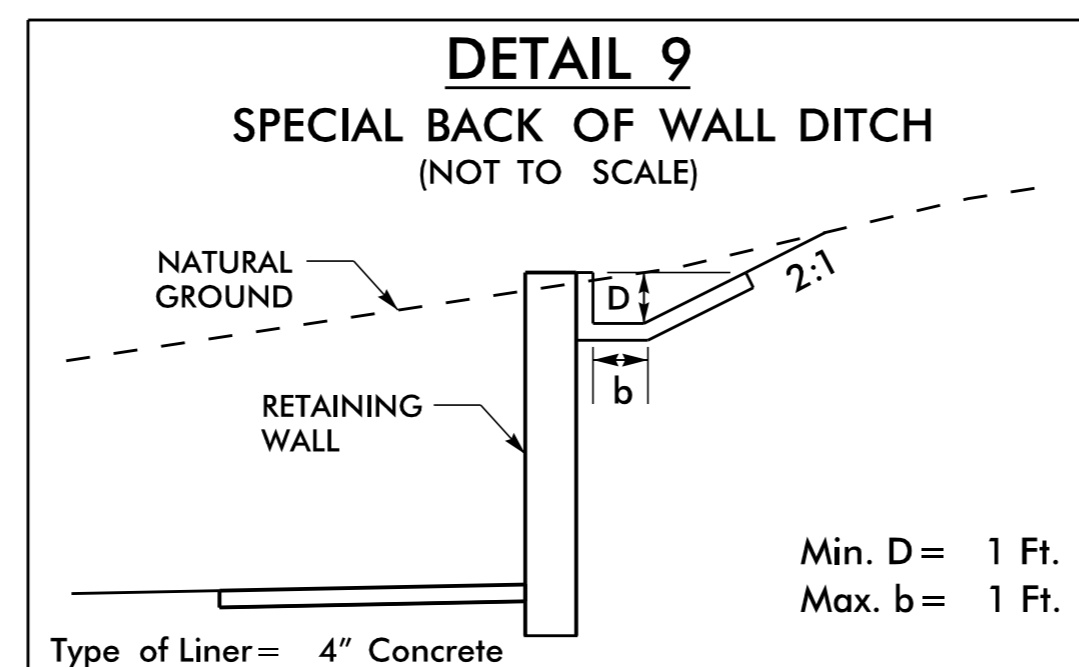
FROM -L- STA 47+50 TO STA 48+25 (RT)  
 SEE SHEET 7



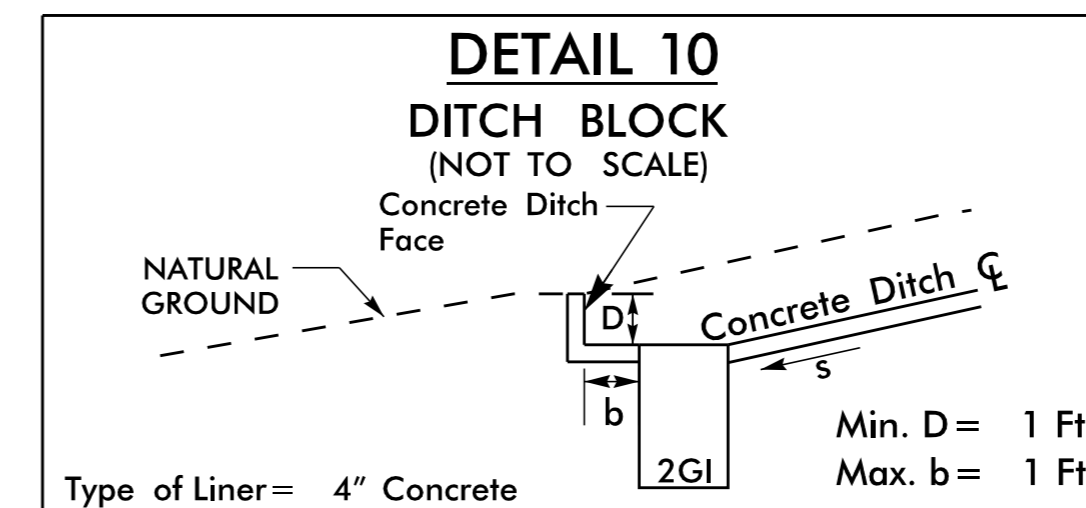
FROM -FLYOVER- STA 22+12 TO STA 23+70 (RT)  
 SEE SHEET 7



FROM -G1- STA 10+25 TO STA 11+28 (RT)  
 SEE SHEET 7 AND SHEET 2B-4



FROM -FLYOVER- STA 14+70 TO STA 15+71 (RT)  
 FROM -FLYOVER- STA 17+11 TO STA 17+60 (RT)  
 SEE SHEET 7



-FLYOVER- STA 17+62 (RT)  
 SEE SHEET 7