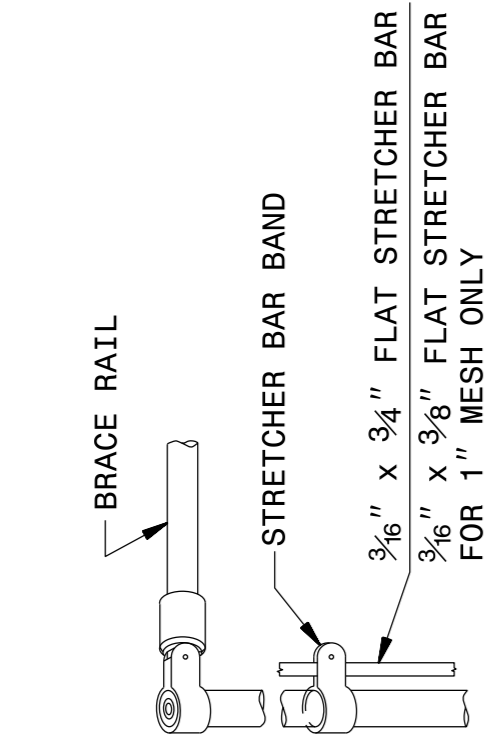
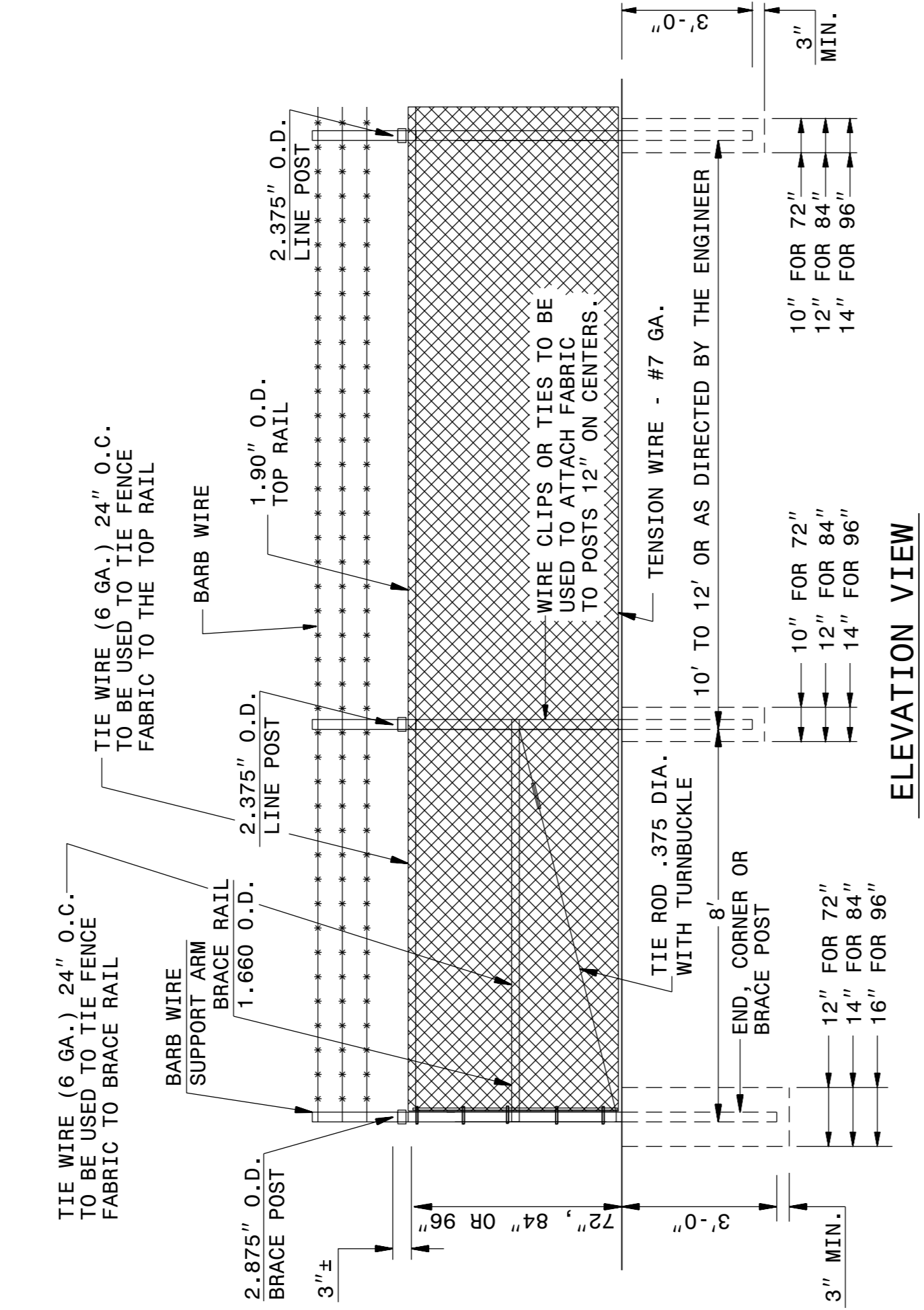

 STATE OF NORTH CAROLINA
 DEPT. OF TRANSPORTATION
 DIVISION OF HIGHWAYS
 RALEIGH, N.C.

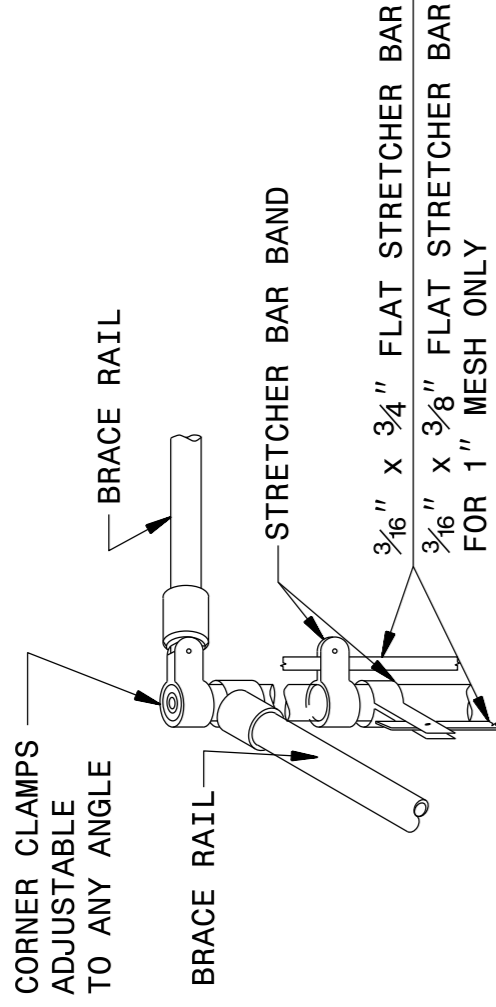
STATE OF
 NORTH CAROLINA
 DEPT. OF TRANSPORTATION
 DIVISION OF HIGHWAYS
 RALEIGH, N.C.



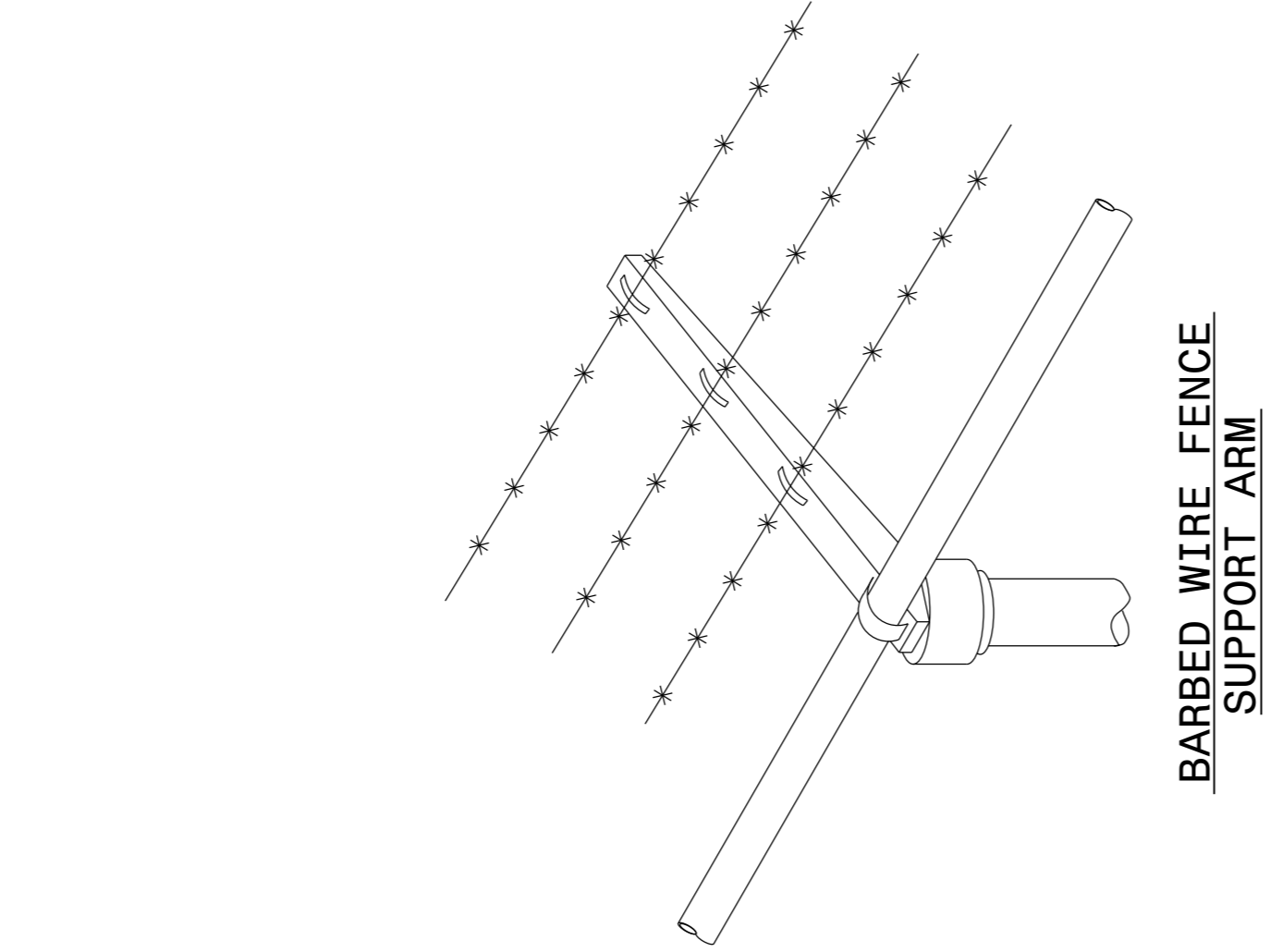
**END, GATE OR BRACE POST
 WITH STRETCHER BAR ATTACHMENT**



ELEVATION VIEW



**CORNER WITH STRETCHER
 BAR ATTACHMENT**



**BARBED WIRE FENCE
 SUPPORT ARM**

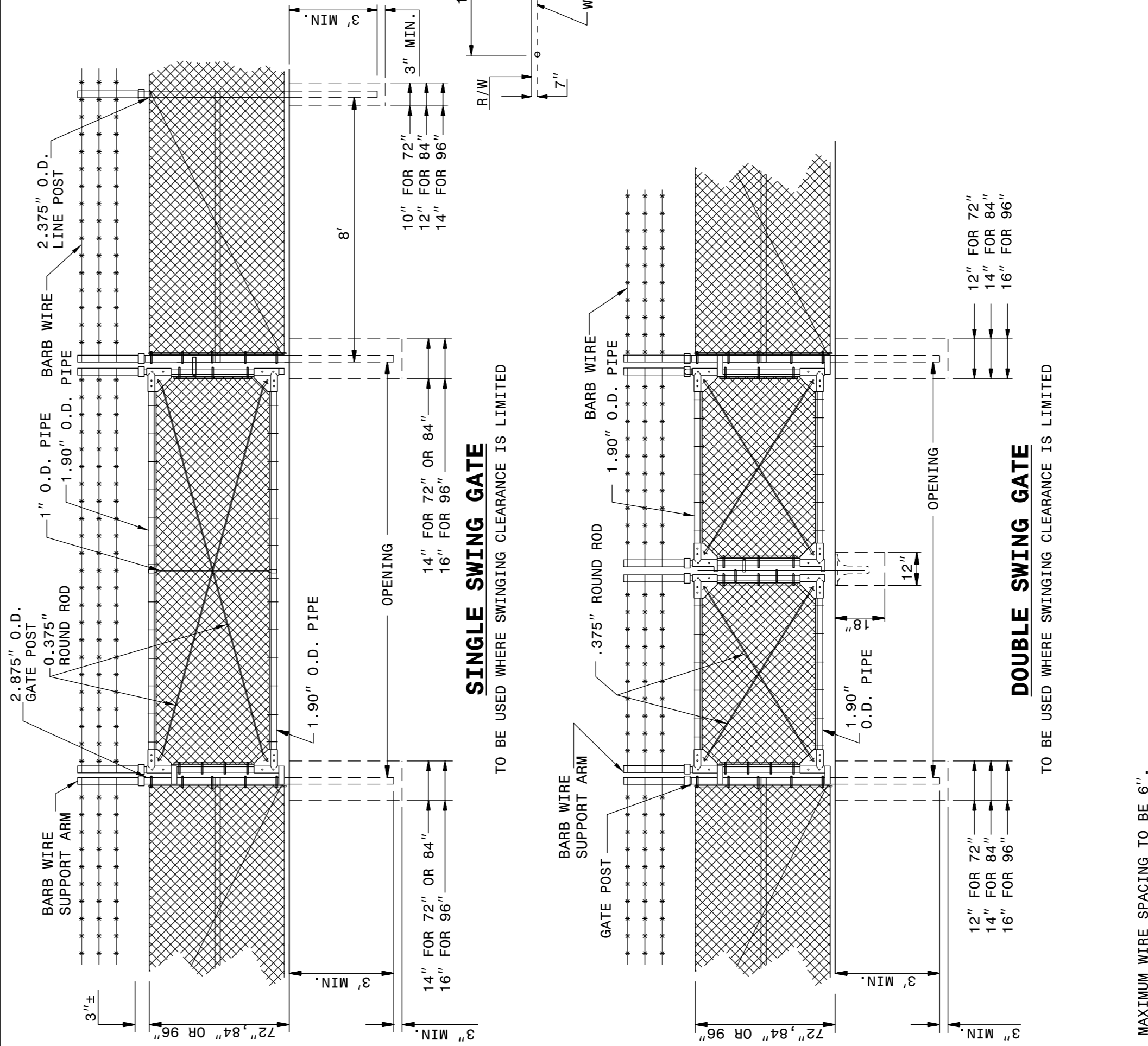
STATE OF
 NORTH CAROLINA
 DEPT. OF TRANSPORTATION
 DIVISION OF HIGHWAYS
 RALEIGH, N.C.

ENGLISH DETAIL DRAWING FOR
CHAIN LINK FENCE WITH BARBED WIRE
 6', 7' AND 8' HEIGHT

SHEET 1 OF 2
fence4c1

STATE OF
 NORTH CAROLINA
 DEPT. OF TRANSPORTATION
 DIVISION OF HIGHWAYS
 RALEIGH, N.C.

ENGLISH DETAIL DRAWING FOR
CHAIN LINK FENCE WITH BARBED WIRE
 6', 7' AND 8' HEIGHT



SINGLE SWING GATE

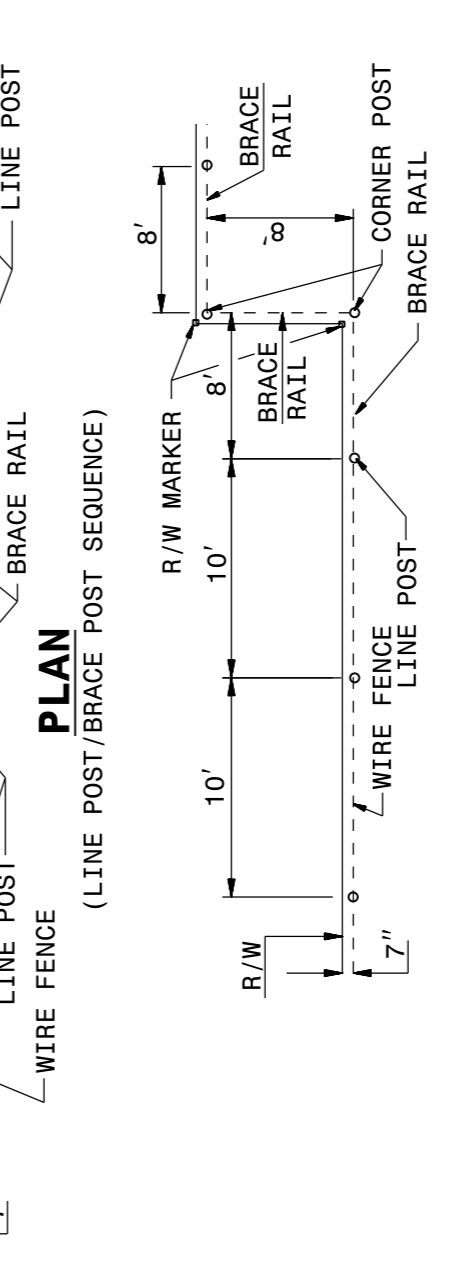
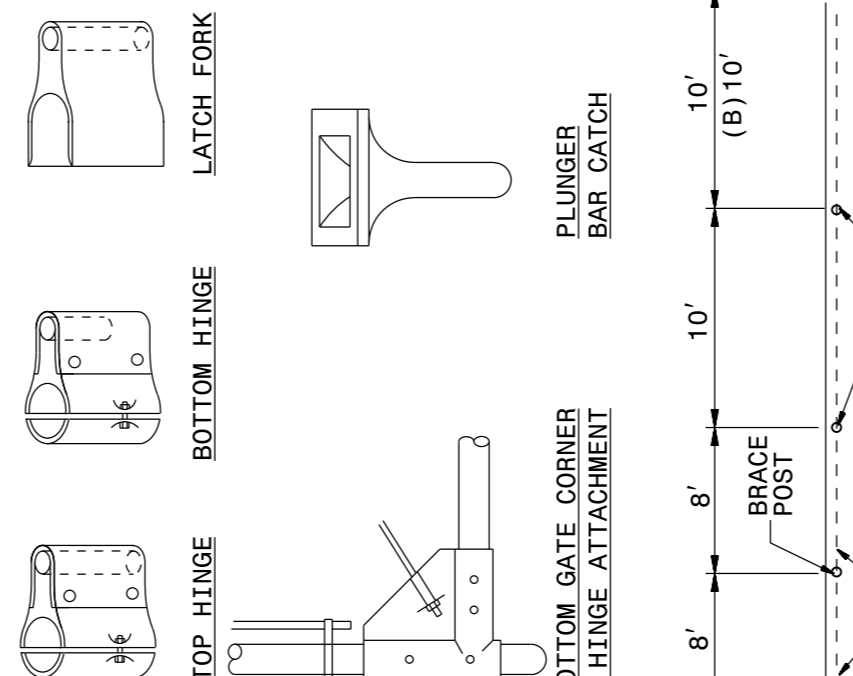
DOUBLE SWING GATE

STATE OF
 NORTH CAROLINA
 DEPT. OF TRANSPORTATION
 DIVISION OF HIGHWAYS
 RALEIGH, N.C.

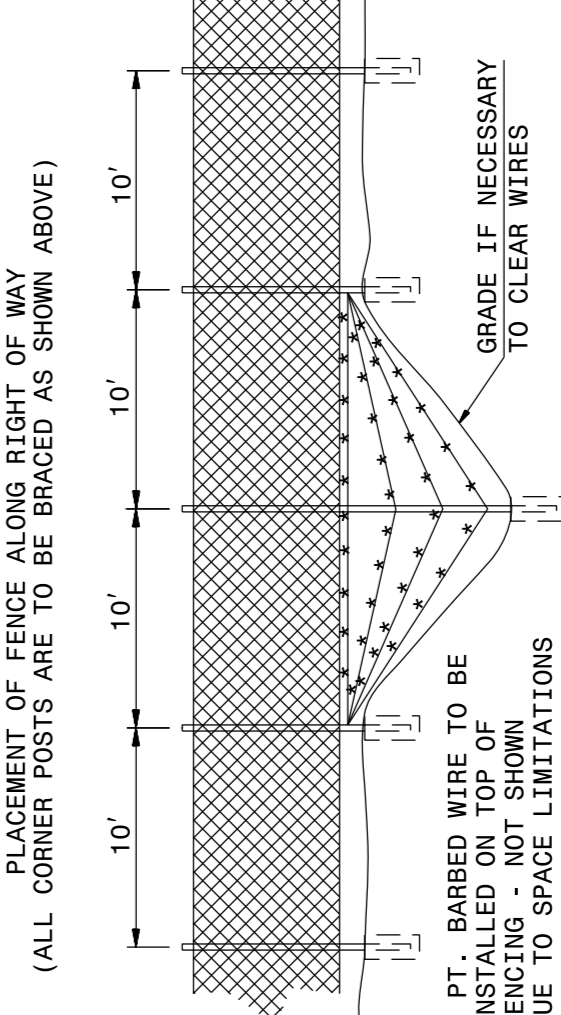
ENGLISH DETAIL DRAWING FOR
CHAIN LINK FENCE WITH BARBED WIRE
 6', 7' AND 8' HEIGHT

SHEET 2 OF 2
fence4c1

NOTE: FENCE HARDWARE VARIES DUE TO
 DIFFERING MANUFACTURERS SUPPLIES.



PLAN



DETAIL OF DITCH CROSSING

MAXIMUM WIRE SPACING TO BE 6" ON
 LONGEST STRAND AND GROUND TO BE 6"
 BRACE POSTS SHALL BE ERECTED BETWEEN
 INTERVALS NOT EXCEEDING 700' ON TANGENTS
 ADDITIONAL BRACE POSTS SHALL BE ERECTED
 BRACE POSTS SHALL BE BRACED FROM BOTH
 SIDES OF POST.

3/3/2016



Designed by
 Joel Howerton
 873F3D17DCDC45F

DOCUMENT NOT CONSIDERED FINAL
 UNLESS ALL SIGNATURES COMPLETED

**CONTRACT STANDARDS
 AND DEVELOPMENT UNIT**
 Office 919-707-6950 FAX 919-250-4119

SEE PLATE FOR TITLE

ORIGINAL BY: N.T. KEGLERS DATE: MAR.11, 1996
 MODIFIED BY: DATE:
 CHECKED BY: DATE:
 FILE SPEC.: