

**This electronic collection of documents is provided
for the convenience of the user
and is Not a Certified Document –**

**The documents contained herein were originally issued
and sealed by the individuals whose names and license
numbers appear on each page, on the dates appearing
with their signature on that page.**

**This file or an individual page
shall not be considered a certified document.**

2/18/2016
 P:\TIP-projects-B\B4761\Traffic\Signing\CADD\PM\B4761_pmp_psh_s01.dgn
 User:ericward

T.I.P.: B-4761


CONTRACT: C203749

**STATE OF NORTH CAROLINA
 DEPARTMENT OF TRANSPORTATION**

**PAVEMENT MARKING PLAN
 HALIFAX COUNTY**

LOCATION: BRIDGE NO. 29 OVER LITTLE FISHING CREEK ON NC 561

PROJECT REFERENCE NO. B-4761	SHEET NO. PMP-1
APPROVED: <u>Ayman Alqudwah</u> <small>—Drawn/Signed by: F32ACSCAF066472—</small>	
DATE: 2/18/2016	
SEAL	



ROADWAY STANDARD DRAWING

THE FOLLOWING ROADWAY STANDARDS AS APPEAR IN "ROADWAY STANDARD DRAWINGS" - PROJECT SERVICES UNIT - N.C. DEPARTMENT OF TRANSPORTATION - RALEIGH, N.C., DATED JANUARY 2012 ARE APPLICABLE TO THIS PROJECT AND BY REFERENCE HEREBY ARE CONSIDERED A PART OF THESE PLANS:

STD. NO.	TITLE
1205.01	PAVEMENT MARKINGS - LINE TYPES AND OFFSETS
1205.02	PAVEMENT MARKINGS - TWO-LANE AND MULTILANE ROADWAYS
1205.12	PAVEMENT MARKINGS - BRIDGES
1261.01	GUARDRAIL AND BARRIER DELINEATORS - INSTALLATION SPACING
1261.02	GUARDRAIL AND BARRIER DELINEATORS - TYPES AND MOUNTING
1262.01	GUARDRAIL END DELINEATION

GENERAL NOTES

THE FOLLOWING GENERAL NOTES APPLY AT ALL TIMES FOR THE DURATION OF THE CONSTRUCTION PROJECT, EXCEPT WHEN OTHERWISE NOTED IN THE PLAN, OR DIRECTED BY THE ENGINEER.

- A) INSTALL PAVEMENT MARKINGS AND PAVEMENT MARKERS ON THE FINAL SURFACE AS FOLLOWS:

NC 561	THERMOPLASTIC	NONE
NC 561 BRIDGE DECKS	COLD APPLIED PLASTIC	NONE
- B) TIE PROPOSED PAVEMENT MARKING LINES TO EXISTING PAVEMENT MARKING LINES.
- C) REMOVE/REPLACE ANY CONFLICTING/DAMAGED PAVEMENT MARKINGS AND MARKERS.
- D) PASSING ZONES WILL BE DETERMINED IN THE FIELD AND MUST BE APPROVED BY THE ENGINEER.
- E) REMOVE ALL RESIDUE AND SURFACE LAITANCE BY ACCEPTABLE METHODS ON CONCRETE BRIDGE DECKS PRIOR TO PLACING COLD APPLIED PLASTIC PAVEMENT MARKING MATERIAL.
- F) TYPE III COLD APPLIED PLASTIC MAY BE USED IN LIEU OF TYPE II COLD APPLIED PLASTIC. IF TYPE III COLD APPLIED PLASTIC IS USED, IT SHALL BE PAID FOR USING THE TYPE II COLD APPLIED PLASTIC PAY ITEM.

PAVEMENT MARKING SCHEDULE

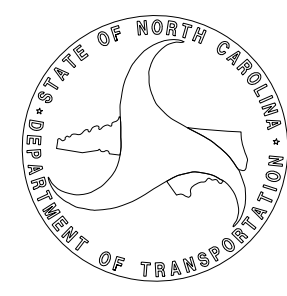
SYMBOL	DESCRIPTION
THERMOPLASTIC (4", 90 MILS)	
TA	WHITE EDGELINE
THERMOPLASTIC (4", 120 MILS)	
TI	YELLOW DOUBLE CENTER
COLD APPLIED PLASTIC (4")	
CA	WHITE EDGELINE
CI	YELLOW DOUBLE CENTER

INDEX

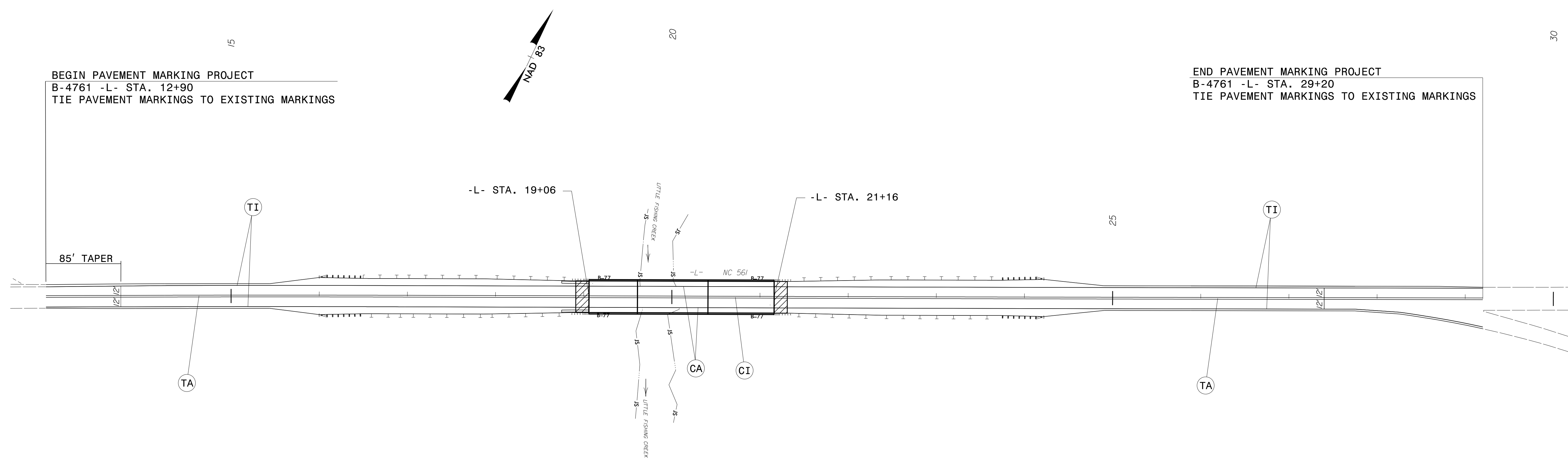
SHEET NO.	DESCRIPTION
PMP-1	PAVEMENT MARKING PLAN TITLE AND SCHEDULE SHEET
PMP-2	PAVEMENT MARKING DETAIL

PLAN PREPARED BY: N.C.D.O.T. SIGNING AND DELINEATION UNIT

AYMAN ALQUDWAH, P.E. SIGNING & DELINEATION REGIONAL ENGINEER
ERIC E WARD SIGNING & DELINEATION PROJECT DESIGN ENGINEER



TIP NO. B-4761	SHEET NO. PMP-2
APPROVED: <i>Ayman Alqudwah</i> F30ACSCAF66472	
DATE: 2/18/2016	
SEAL	
DOCUMENT NOT CONSIDERED FINAL UNLESS ALL SIGNATURES COMPLETED	



PAVEMENT MARKING DETAIL

2/18/2016
 P:\IP\Projects-B\B4761\Traffic\Signing\CADD\PM\B4761.pmp.psh.s02.dgn
 User:rtward