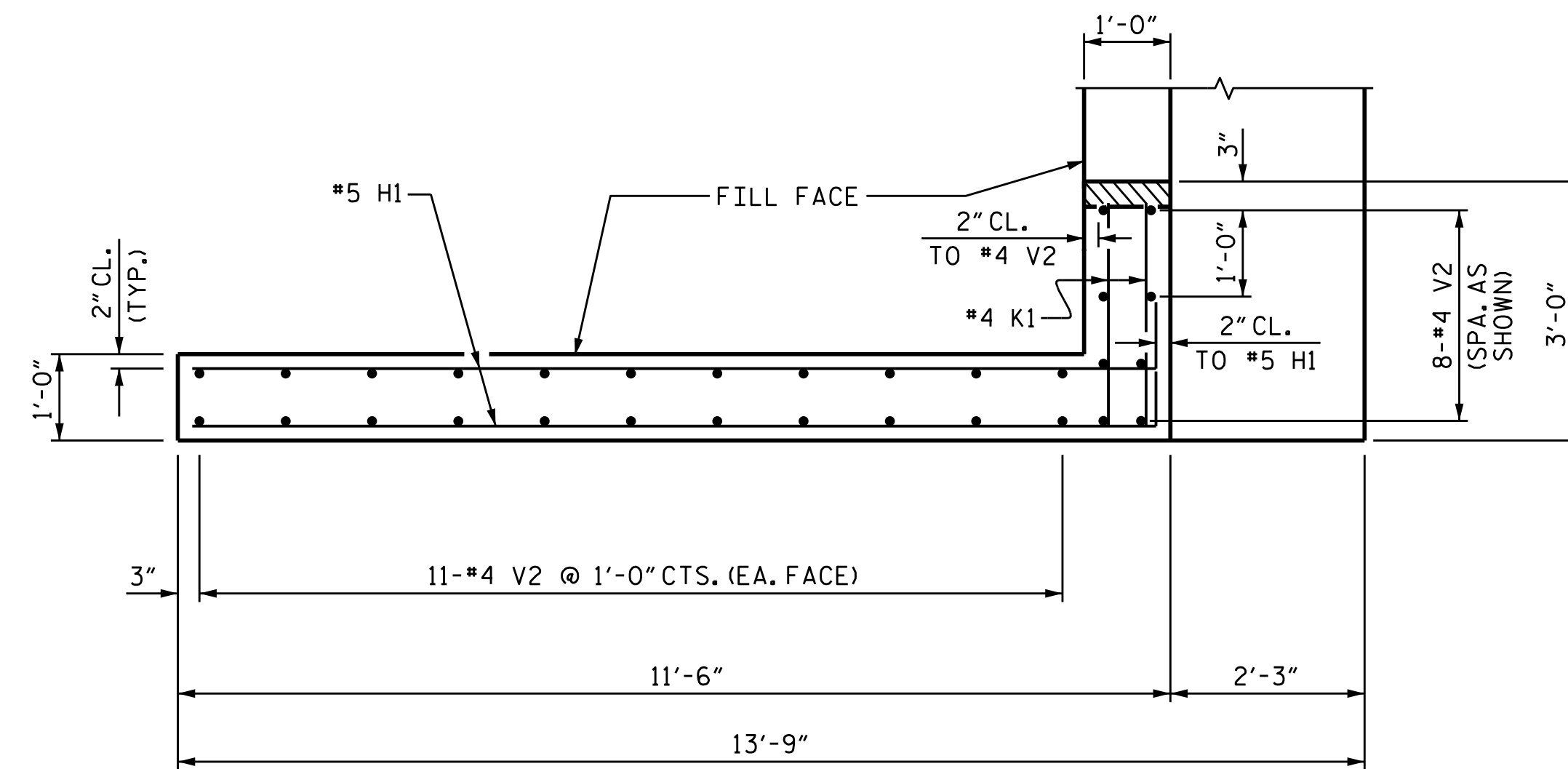
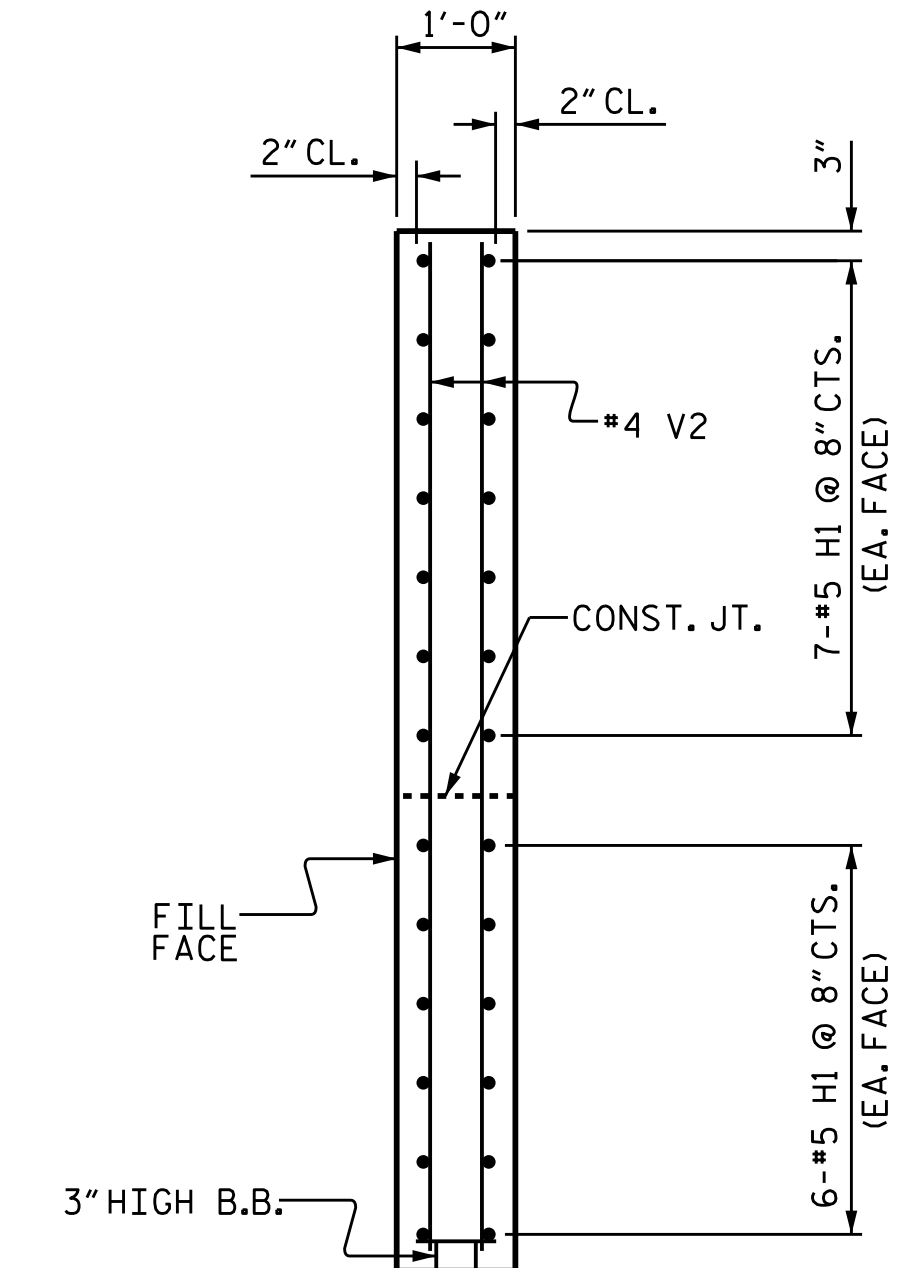


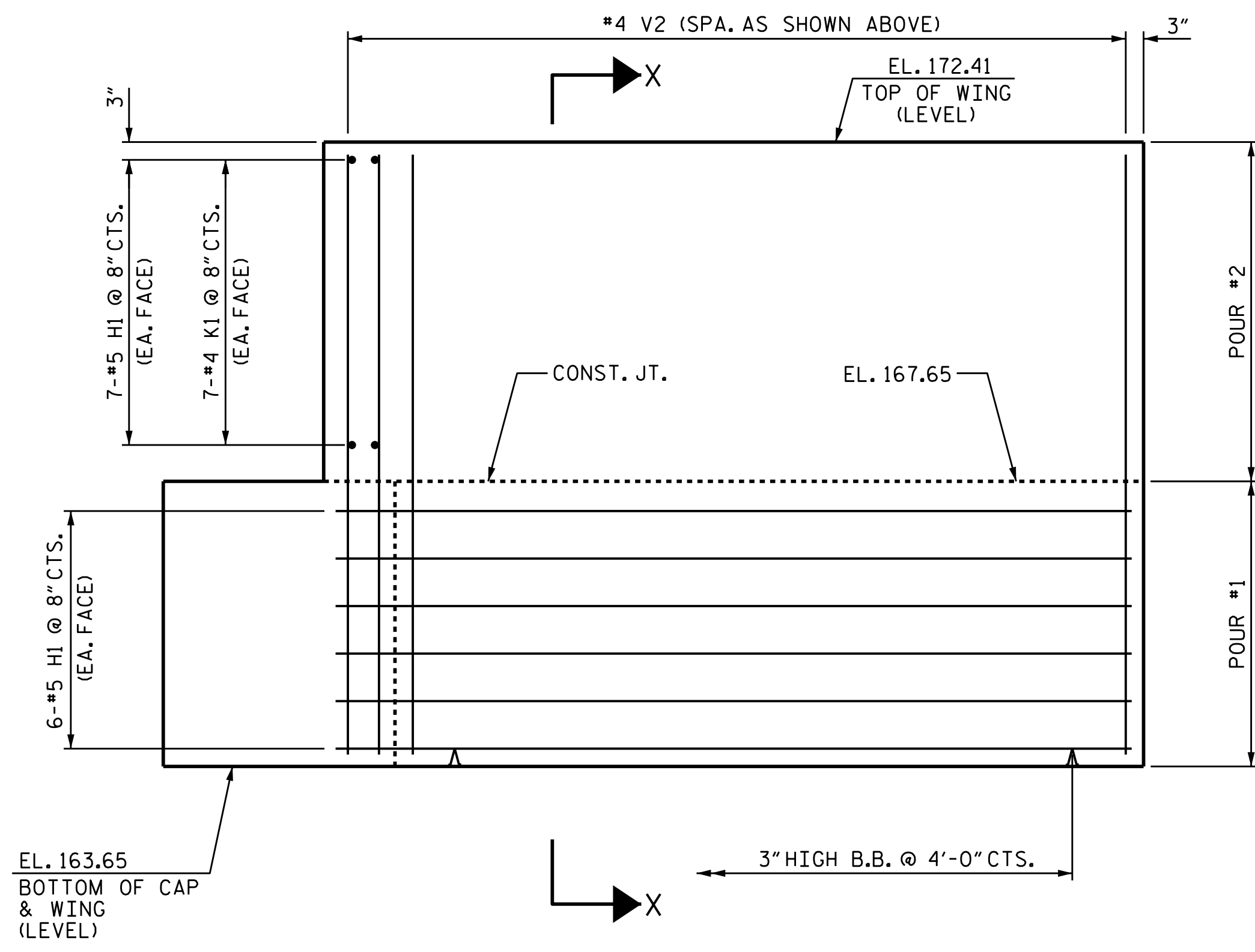
PLAN (W1)



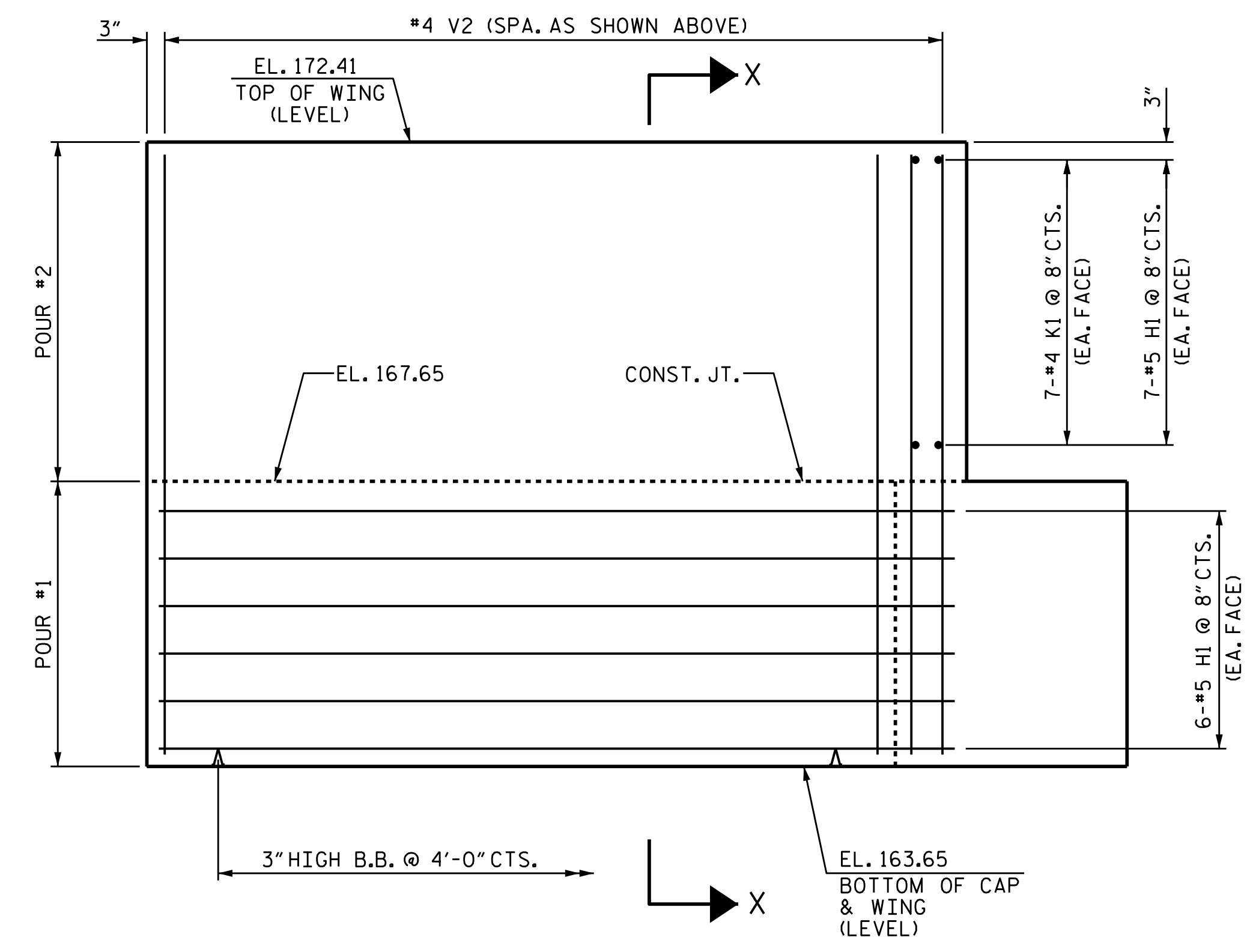
PLAN (W2)



SECTION X-X



ELEVATION (W1)



ELEVATION (W2)

PROJECT NO. B-4761
 HALIFAX COUNTY
 STATION: 20+11.00 -L-

SHEET 2 OF 3



DocuSigned by:
 Emily E Murray
 CA5897AE0C8B6D
 4/27/2016

STATE OF NORTH CAROLINA
 DEPARTMENT OF TRANSPORTATION
 RALEIGH
 SUBSTRUCTURE
 INTEGRAL END BENT 1

DRAWN BY: M.D.PISO DATE: 8-04-2015
 CHECKED BY: D.G.ELY DATE: 8-25-2015
 DESIGN ENGINEER OF RECORD: G. KOUCHEKI DATE: 3/14/16

DOCUMENT NOT CONSIDERED
 FINAL UNLESS ALL
 SIGNATURES COMPLETED

REVISIONS						SHEET NO.
NO.	BY:	DATE:	NO.	BY:	DATE:	S-21
1			3			TOTAL SHEETS 31
2			4			