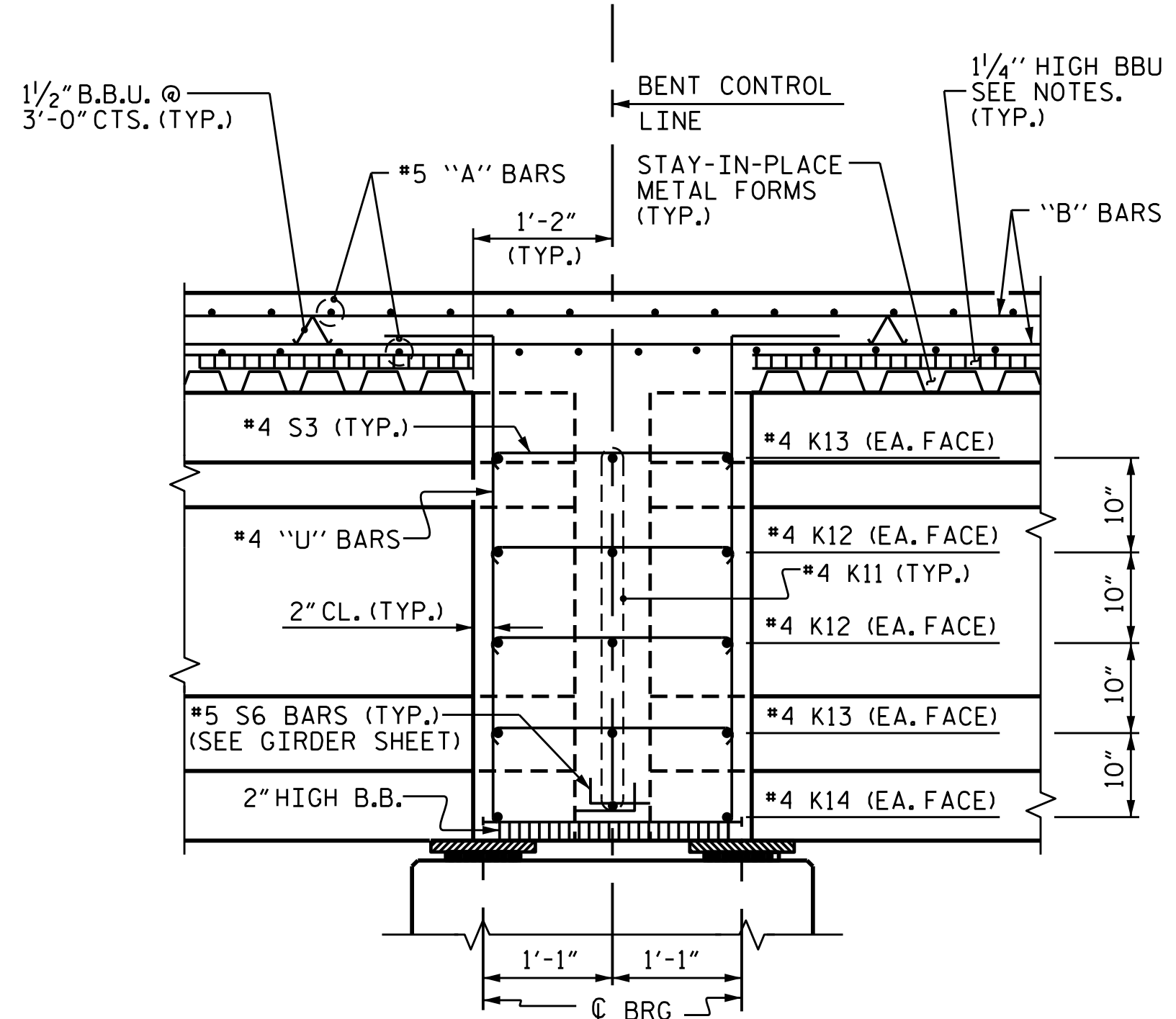
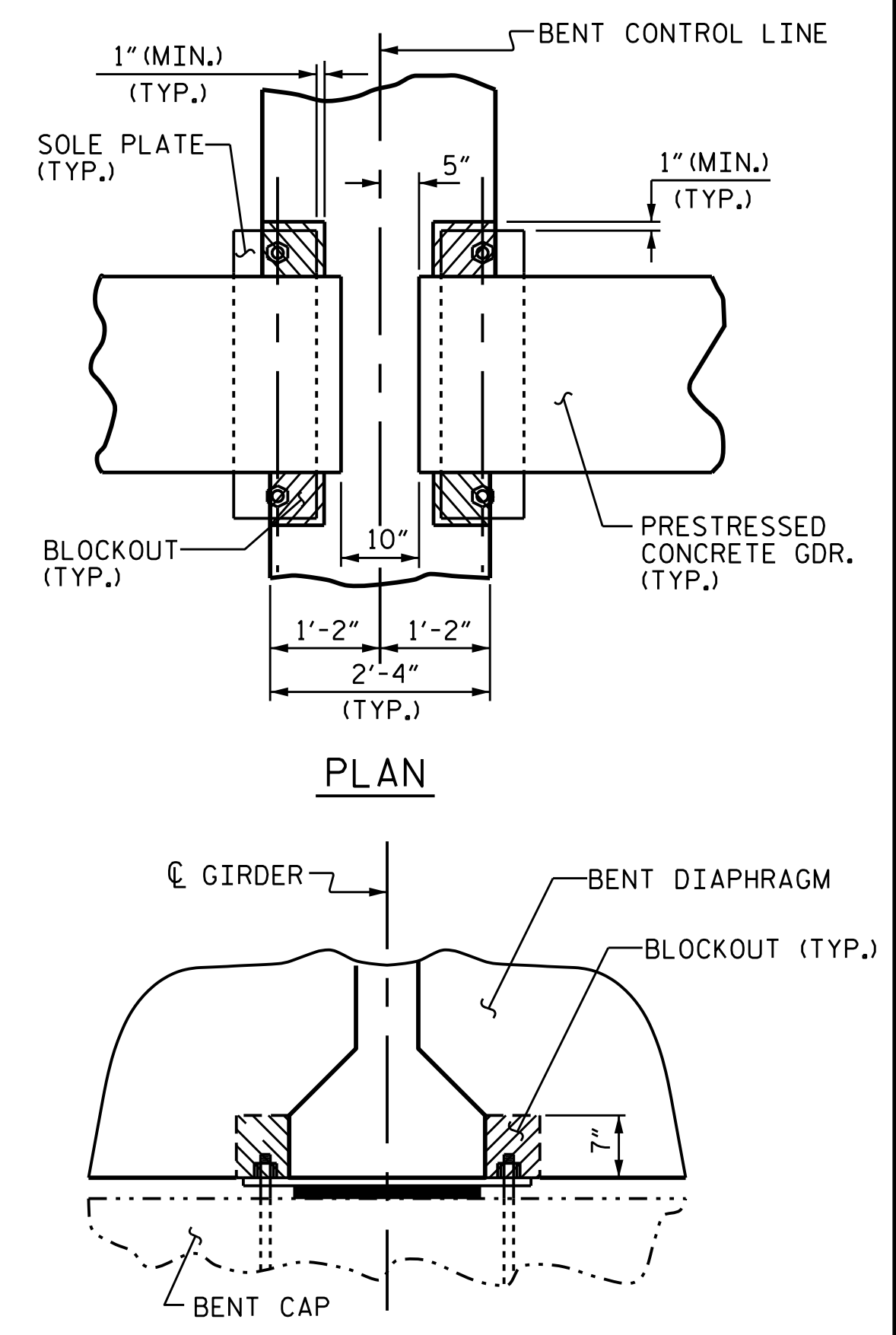


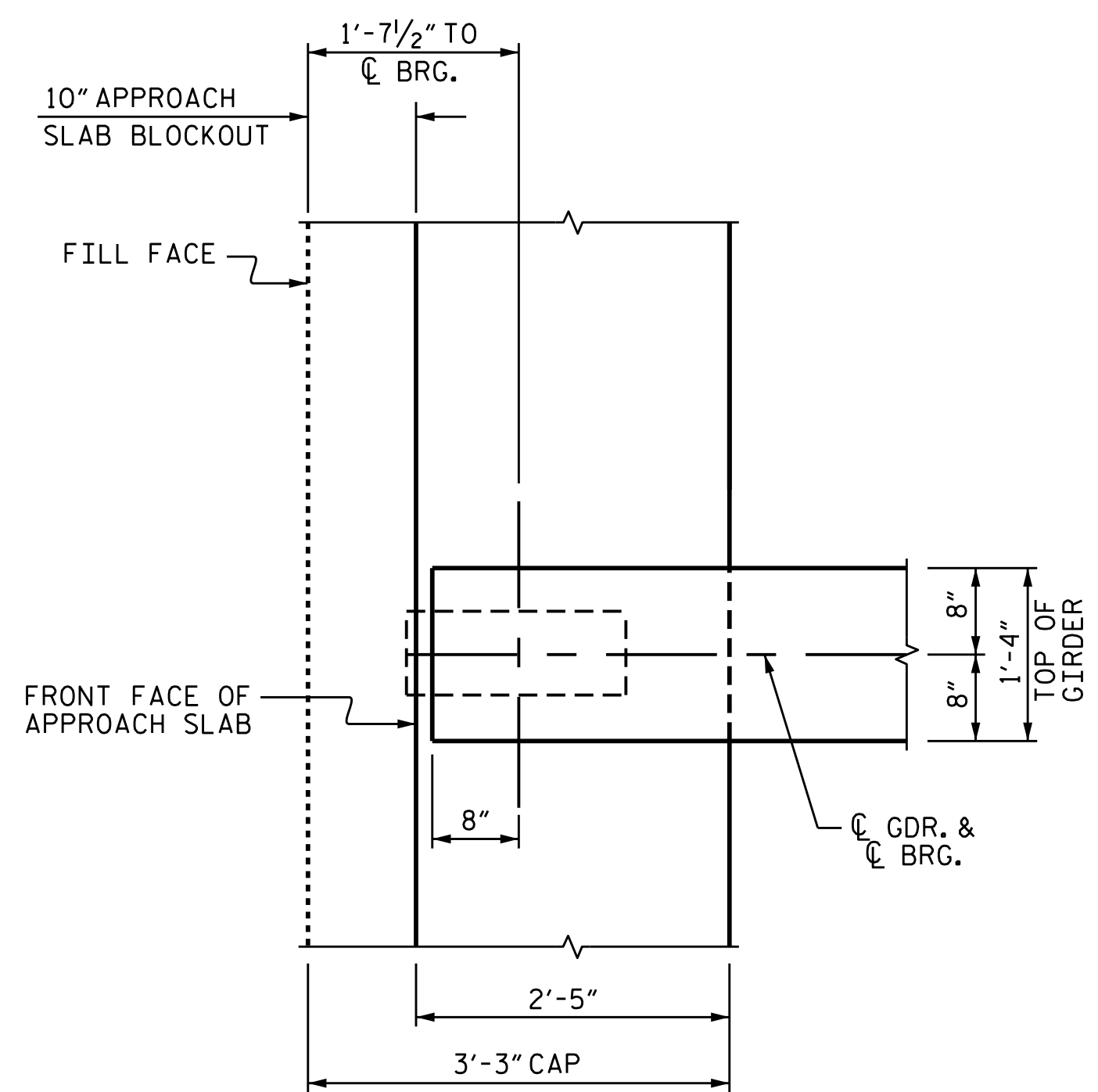
SECTION AT INTEGRAL END BENT



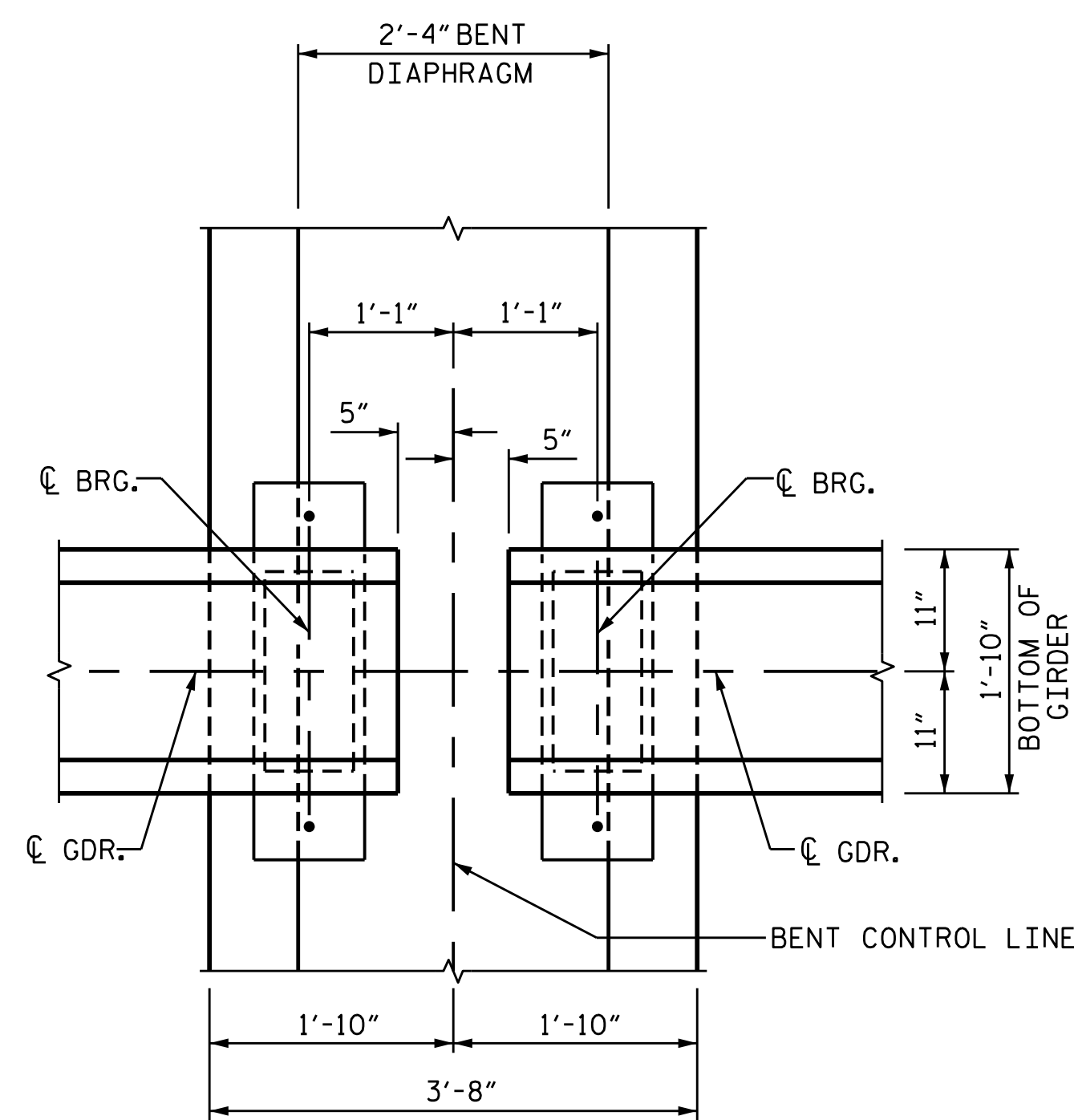
SECTION AT INTERIOR BENT DIAPHRAGM



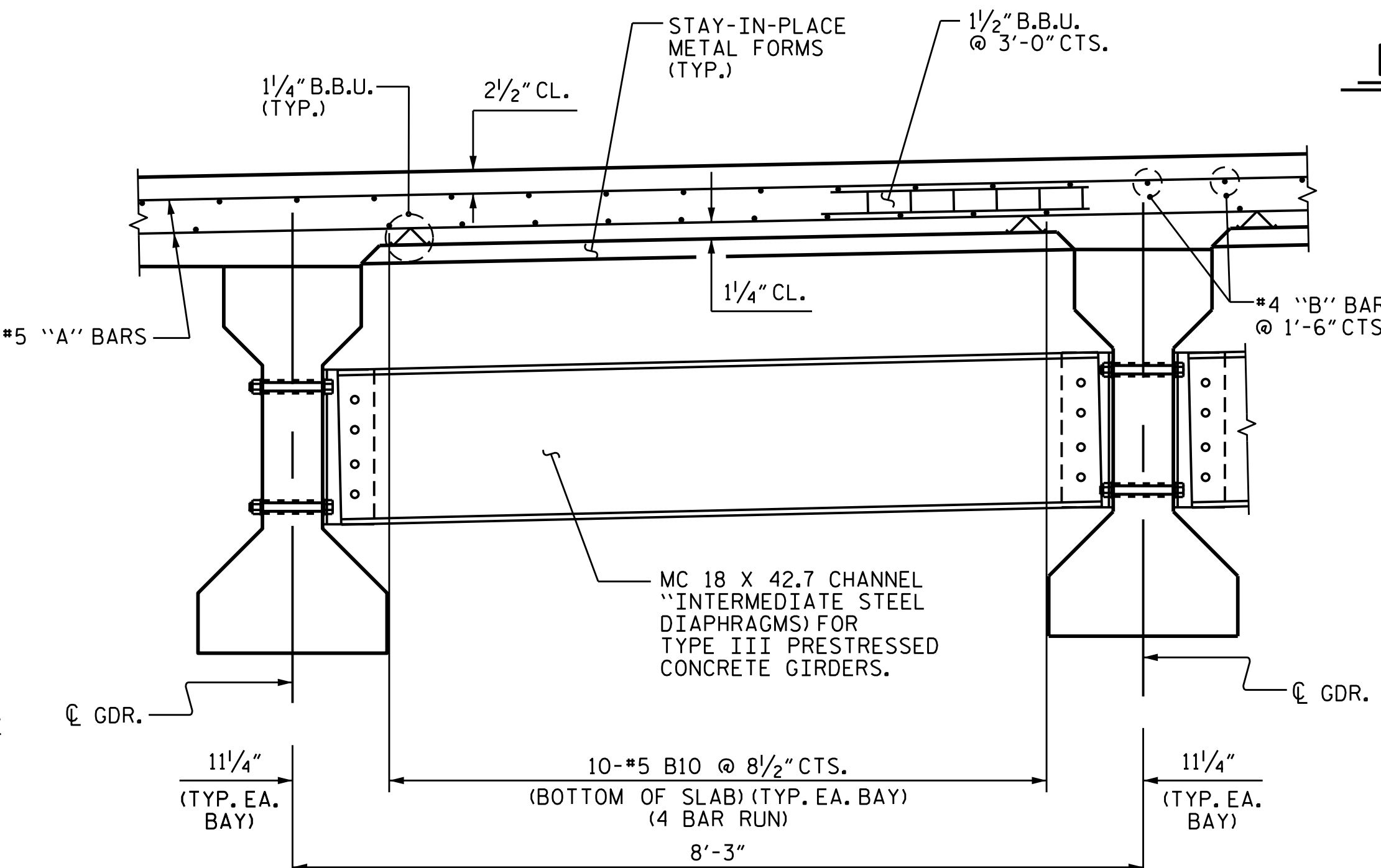
BENT DIAPHRAGM BLOCKOUT DETAIL



END BENT DIAPHRAGM



BENT DIAPHRAGM



EXTERIOR GIRDER INTERIOR GIRDER

PARTIAL TYPICAL SECTION @ INTERMEDIATE DIAPHRAGMS

SEE "INTERMEDIATE STEEL DIAPHRAGMS FOR TYPE III PRESTRESSED CONCRETE GIRDERS" SHEET FOR DETAILS



DocuSigned by:
Emily E. Murray
CAE87AEDC594E0
4/27/2016

DOCUMENT NOT CONSIDERED FINAL UNLESS ALL SIGNATURES COMPLETED

PROJECT NO. B-4761
HALIFAX COUNTY
 STATION: 20+11.00 -L-

SHEET 2 OF 2

STATE OF NORTH CAROLINA
 DEPARTMENT OF TRANSPORTATION
 RALEIGH
 SUPERSTRUCTURE
 TYPICAL SECTION
 DETAILS

REVISIONS						SHEET NO.	
NO.	BY:	DATE:	NO.	BY:	DATE:	S-6	
1			3			TOTAL SHEETS	
2			4			31	

DRAWN BY: M.D. PISO DATE: 7-07-2015
 CHECKED BY: N. RUFFIN DATE: 8-05-2015
 DESIGN ENGINEER OF RECORD: G. KOUCHEKI DATE: 3/14/16