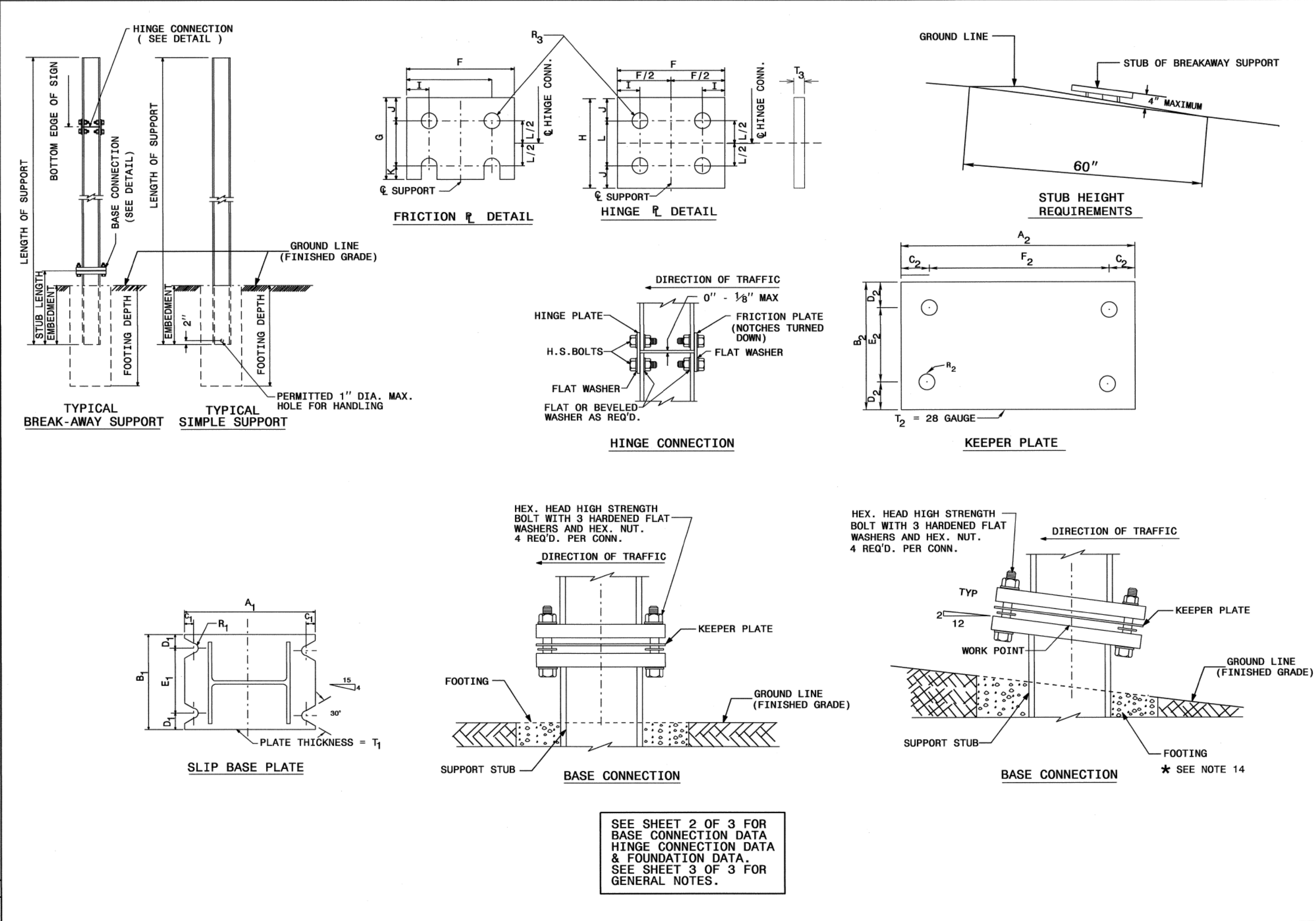


STATE OF
NORTH CAROLINA
DEPT. OF TRANSPORTATION
DIVISION OF HIGHWAYS
RALEIGH, N.C.

1-12
**ENGLISH STANDARD DRAWING FOR
GROUND MOUNTED SIGN SUPPORTS**
SHEET 1 OF 3
903D10



SEE SHEET 2 OF 3 FOR
BASE CONNECTION DATA
HINGE CONNECTION DATA
& FOUNDATION DATA.
SEE SHEET 3 OF 3 FOR
GENERAL NOTES.

STATE OF
NORTH CAROLINA
DEPT. OF TRANSPORTATION
DIVISION OF HIGHWAYS
RALEIGH, N.C.

1-12
**ENGLISH STANDARD DRAWING FOR
GROUND MOUNTED SIGN SUPPORTS**
SHEET 1 OF 3
903D10

**REVISED SIGNING
ROADWAY STANDARD DRAWING**

7-219

4/13/2016 K:\RAL_Roadway\01036245 - Kernersville\Traffic\Signing\CADD\Signing Layout Plans\W5510_SGN_PSH_SIGN-1A.dgn

26-JUL-2013 09:37 S:\S&DU\Standards_Group\NEA\Standards and Drawings\Drawings\2012 Standard Dwg\Division 9 Final\090310_sgn_sht01.dgn support_1_Rev1.scd.7-3-13.dgn