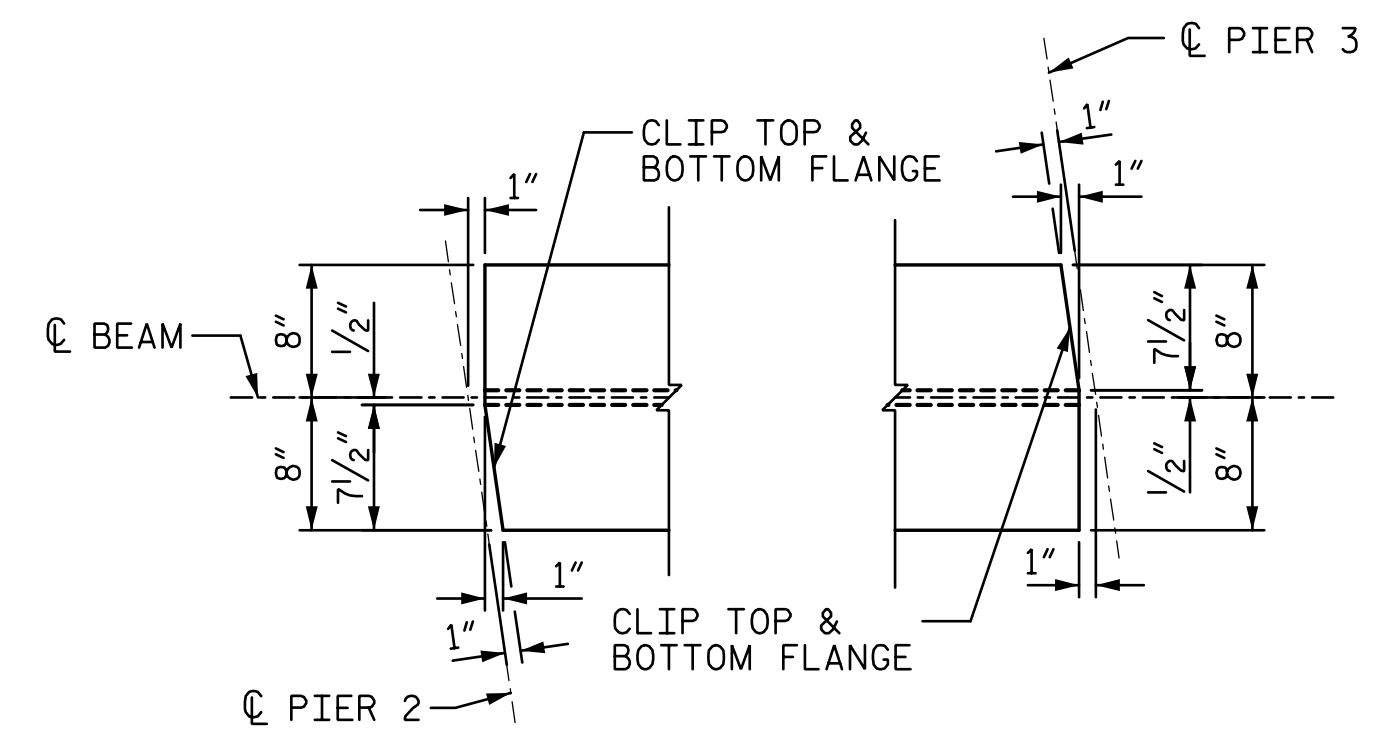
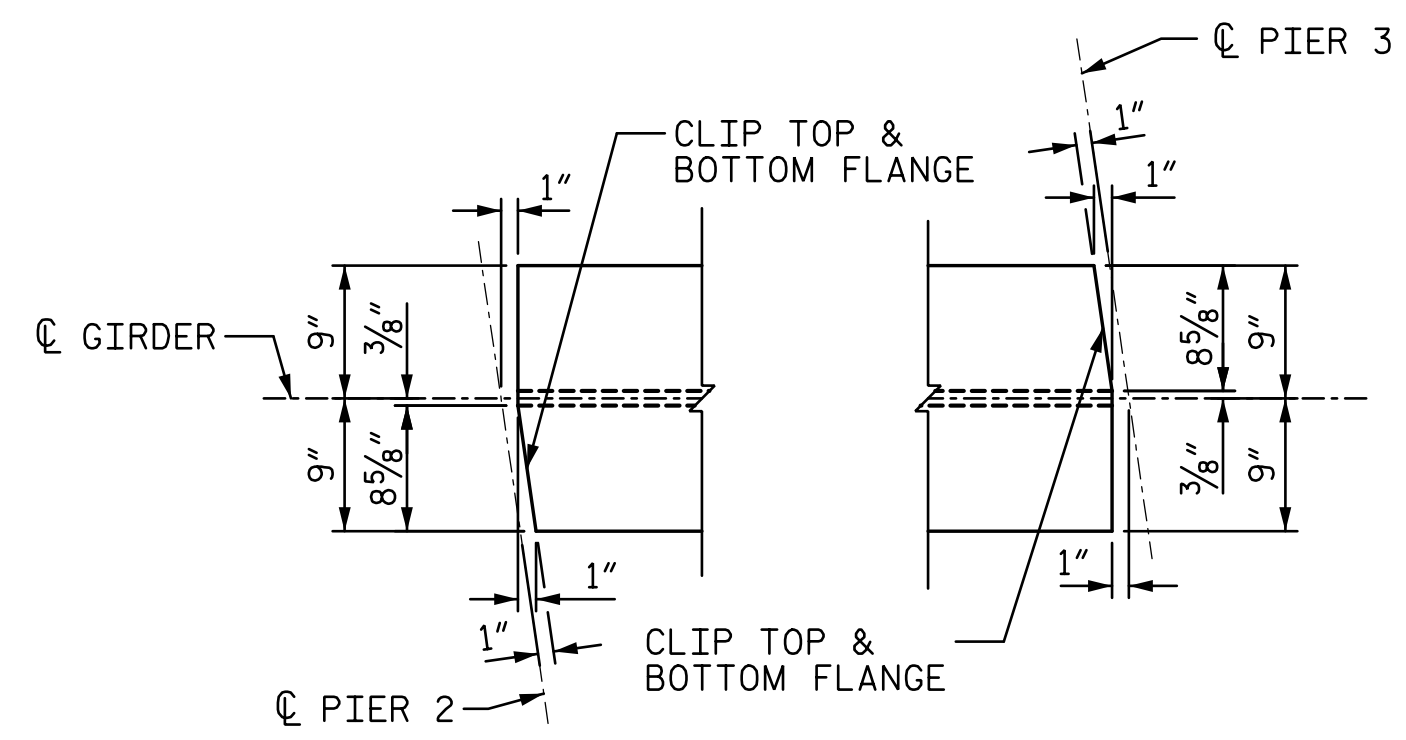


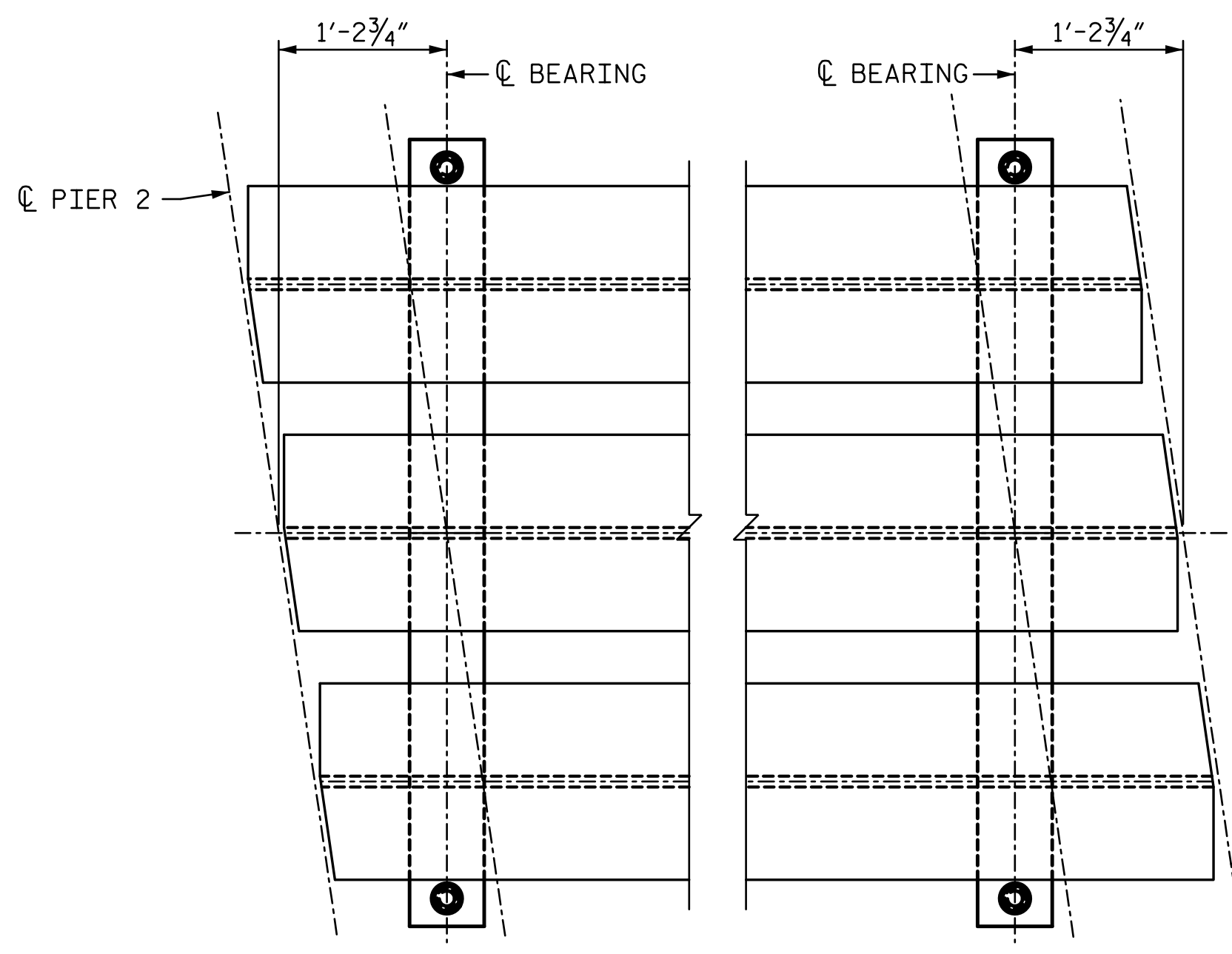
PLAN - TEMPORARY SPAN C
(PIERS ARE PARALLEL)



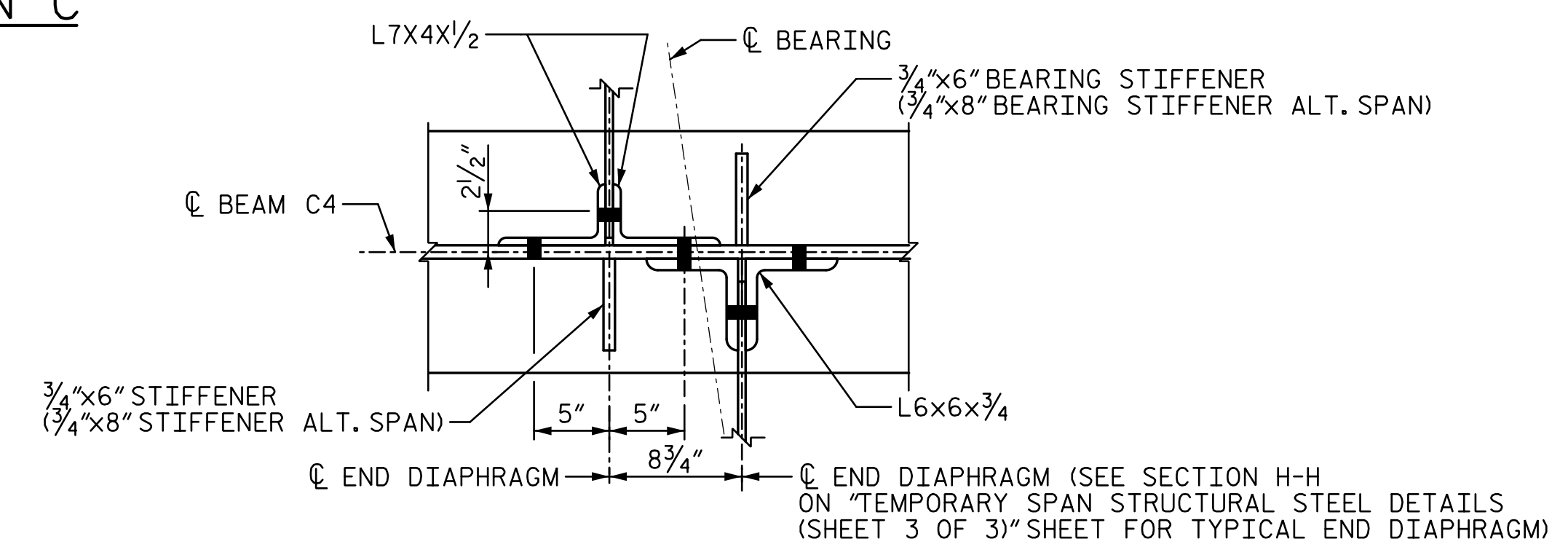
BEAM END CLIP DETAIL
(TOP AND BOTTOM FLANGE)



GIRDER END CLIP DETAIL - ALTERNATE
(TOP AND BOTTOM FLANGE)

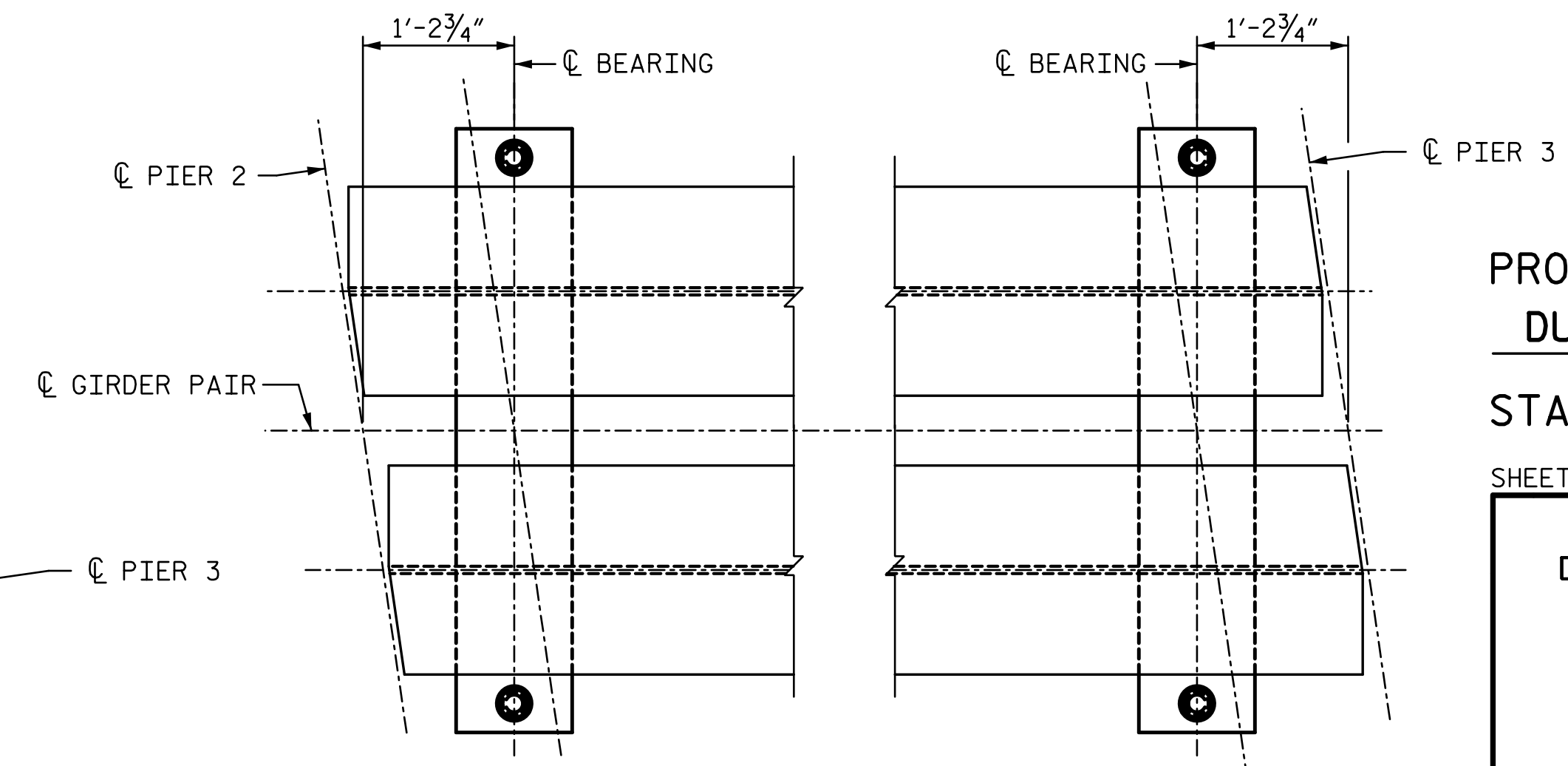


BEARING LOCATION DETAIL

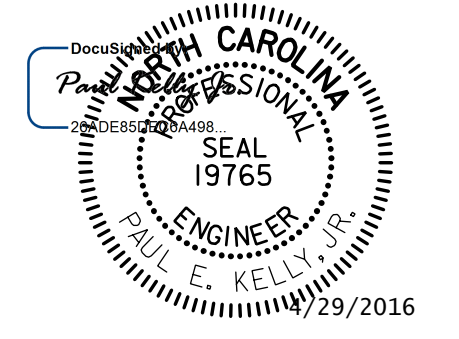


DETAIL C

END DIAPHRAGM AT PIER 3 SHOWN, PIER 2 SIMILAR.



BEARING LOCATION DETAIL - ALTERNATE



PROJECT NO. **U-3308**
DURHAM COUNTY
 STATION: **24+55.20 -LALT-**
13+22.18 -CSXN-
 SHEET 12 OF 16

STATE OF NORTH CAROLINA
 DEPARTMENT OF TRANSPORTATION
 RALEIGH

**TEMPORARY SPAN
 STRUCTURAL STEEL
 DETAILS (1 OF 3)**

NOTES:

- FOR ALTERNATE 4-GIRDER SPACING SEE SHEET TITLED "TEMPORARY SPAN TYPICAL SECTION".
- FOR SECTION H-H AND J-J, SEE SHEET TITLED "TEMPORARY SPAN STRUCTURAL STEEL DETAILS (3 OF 3)".

DOCUMENT NOT CONSIDERED FINAL
 UNLESS ALL SIGNATURES COMPLETED

STV / Ralph Whitehead Associates, Inc.
 900 W Trade Street, Suite 715
 Charlotte, NC 28202
 NC License No. F-0991

REVISIONS				SHEET NO.	
NO.	BY:	DATE:	NO.	BY:	DATE:
1			3		
2			4		

TOTAL SHEETS: 68

4/29/2016 12:33:02 PM I:\PROJ\251325\ustation\struct\Temporary Span\404_063_U3308_SMU_TS12.dgn pKelly