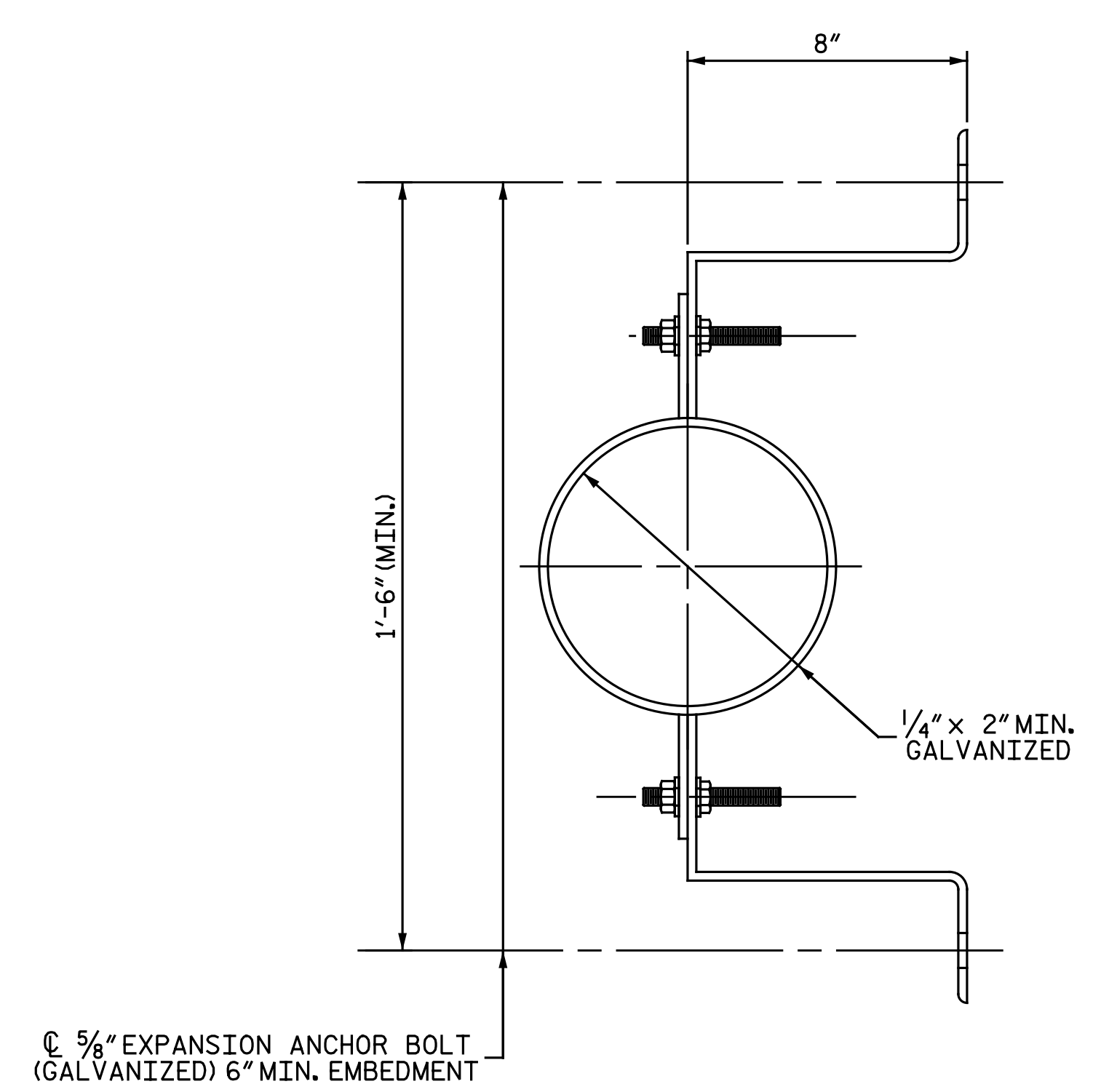
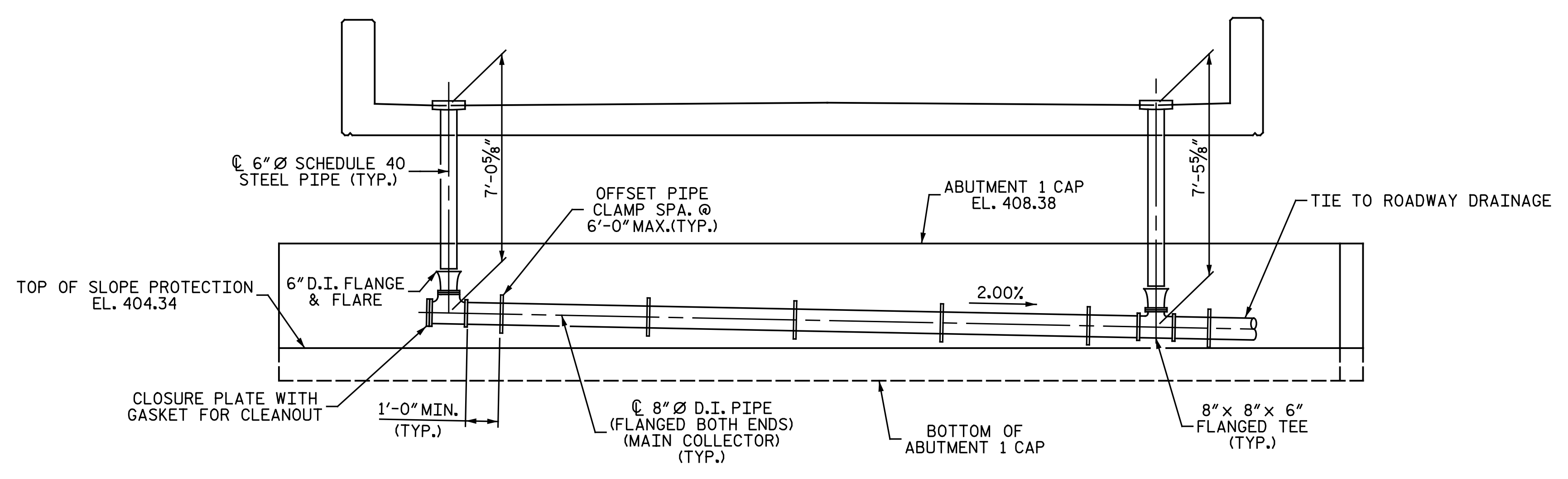


DRAINAGE DETAILS AT ABUTMENT 1

NOTES:
 ALL DIMENSIONS ARE SUBJECT TO ADJUSTMENTS TO FIT MEASUREMENTS TAKEN AFTER DECKS HAVE BEEN POURED.
 D.I. = DUCTILE IRON

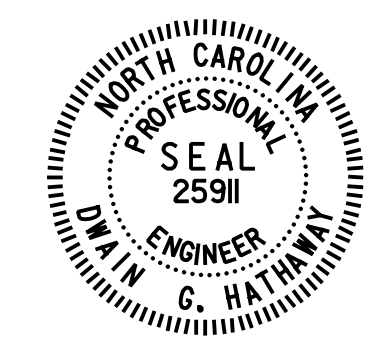


DETAIL A



ELEVATION
 (LOOKING BACK STATION @ ABUTMENT 1)

PROJECT NO. U-3308
DURHAM COUNTY
 STATION: 24+55.20 -LALT-
13+22.18 -CSXN-
 SHEET 3 OF 7



Designed by
 Dwan Hathaway
 5/3/2016

Michael Baker INTERNATIONAL

Michael Baker Engineering
 8000 Regency Parkway, Suite 600
 Cary, North Carolina 27618
 NC License No.: F-1084

STATE OF NORTH CAROLINA
 DEPARTMENT OF TRANSPORTATION
 RALEIGH
 SUPERSTRUCTURE
 STRUCTURE DRAINAGE
 DETAILS
 ABUTMENT 1

REVISIONS						SHEET NO.
NO.	BY:	DATE:	NO.	BY:	DATE:	S4-47
1			3			TOTAL SHEETS
2			4			68

cmayhew 5/3/2016 9:37:26 AM
 File name: Y:\Projects\NCDOT\U-3308\Structures\Drawings\Final\404_047_U3308_SMU_SD03.dgn

DRAWN BY : M. D. MAYHEW DATE : 1-13-14
 CHECKED BY : S. A. DENNEY DATE : 3-6-14