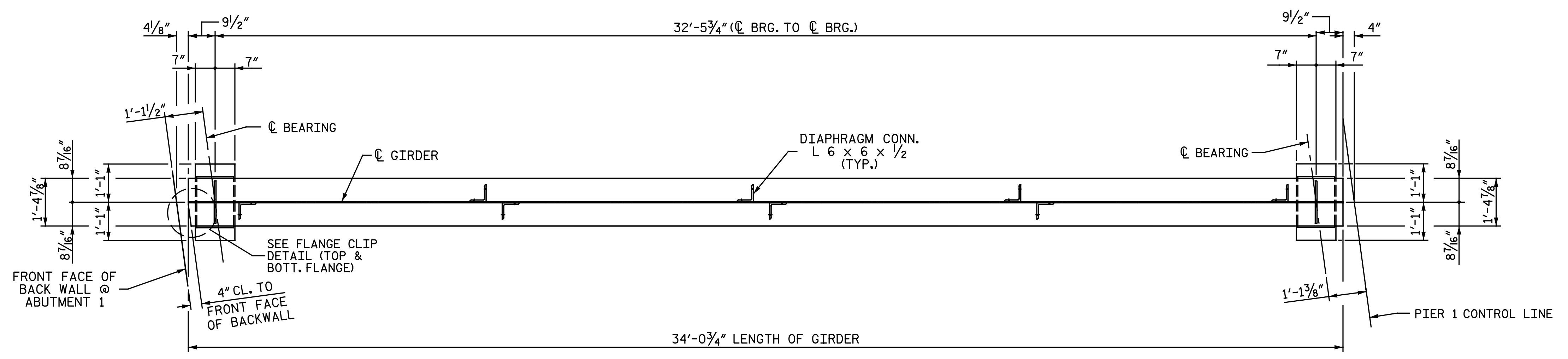
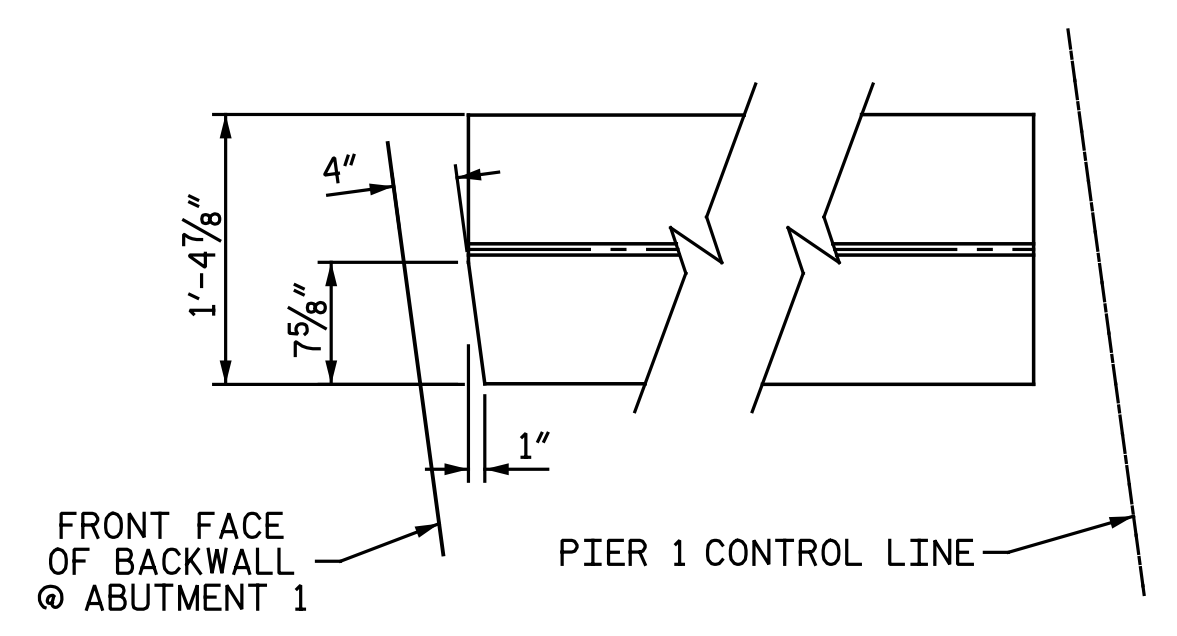


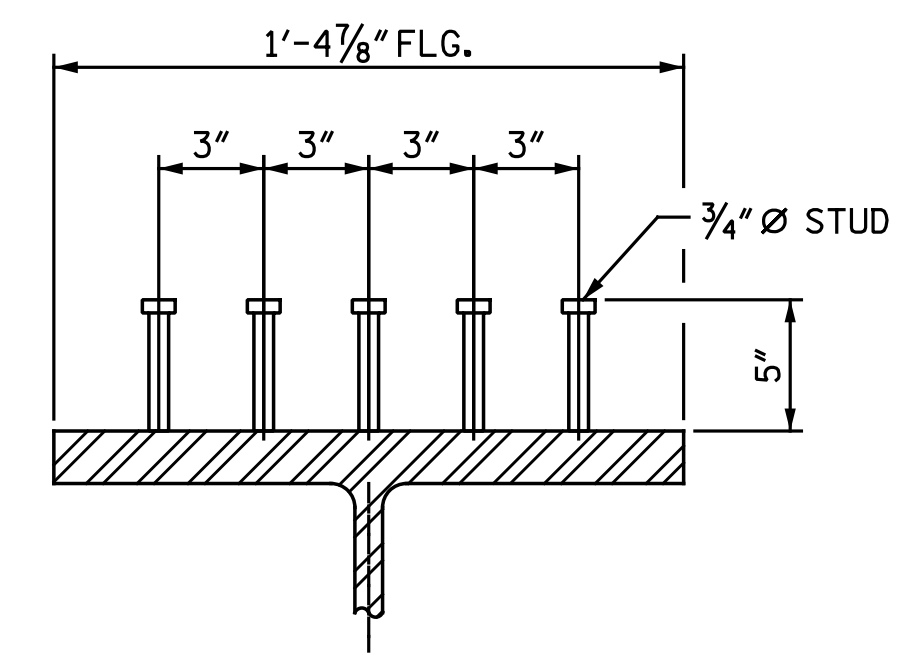
GIRDER ELEVATION - SPAN A
(INTERIOR GIRDER SHOWN, OTHERS SIMILAR)



BOTTOM FLANGE DETAIL - SPAN A
(INTERIOR GIRDER SHOWN, OTHERS SIMILAR)
DIAPHRAGM CONNECTORS SHALL NOT BE PLACED ON OUTSIDE OF EXTERIOR GIRDERS.

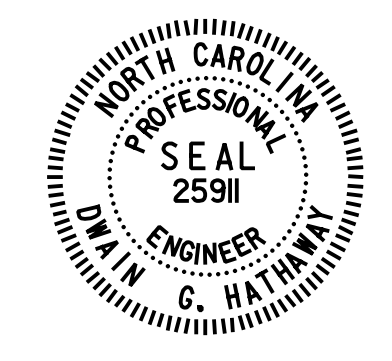


FLANGE CLIP DETAIL - SPAN A
NOTE: CLIP TOP & BOTTOM FLANGES AT EACH END OF GIRDER.



SHEAR STUD DETAIL

PROJECT NO. U-3308
DURHAM COUNTY
STATION: 24+55.20 -LALT-
13+22.18 -CSXN-
SHEET 1 OF 4



5/3/2016

Michael Baker INTERNATIONAL

Michael Baker Engineering
8000 Regency Parkway, Suite 600
Cary, North Carolina 27618
NC License No.: F-1084

STATE OF NORTH CAROLINA
DEPARTMENT OF TRANSPORTATION
RALEIGH
SUPERSTRUCTURE
GIRDER DETAILS
SPAN A

REVISIONS						SHEET NO.
NO.	BY:	DATE:	NO.	BY:	DATE:	S4-18
1			3			TOTAL SHEETS
2			4			68

cmayhew 5/3/2016 9:37:06 AM
 File name: Y:\Projects\NCDOT\U-3308\Structures\Drawings\Final\404_018_U3308_SML_601.dgn

DRAWN BY: C. E. MAYHEW DATE: 3-13-13
CHECKED BY: S. A. DENNEY DATE: 2-27-14