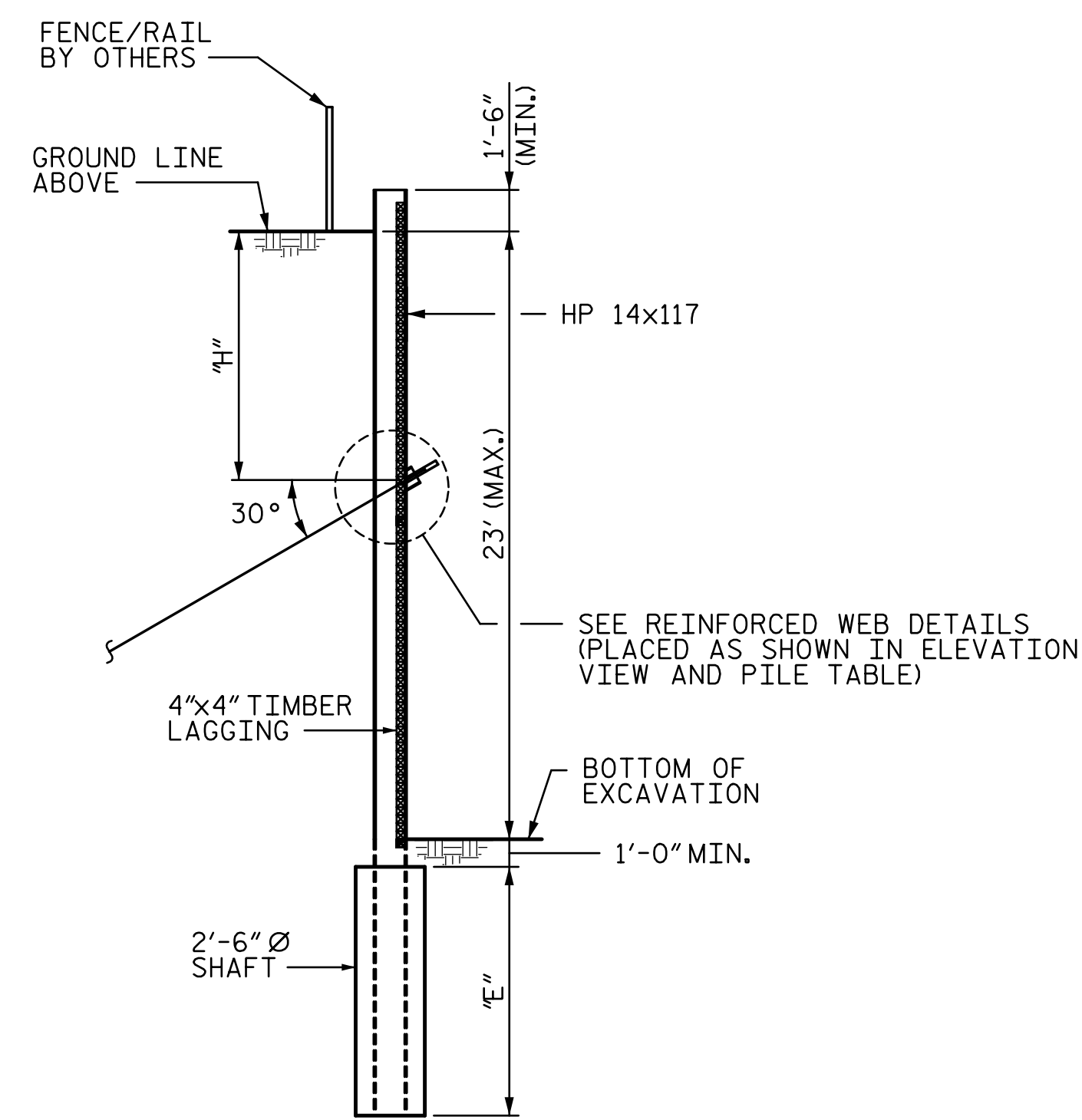
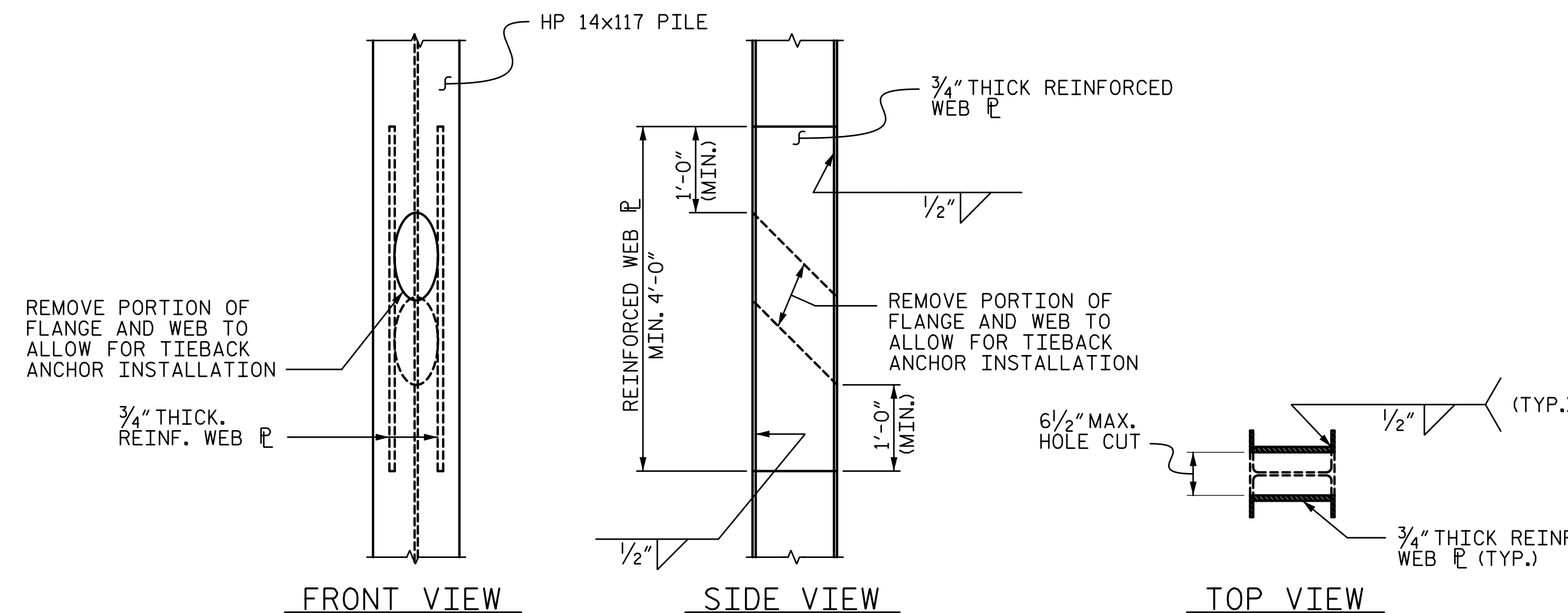


NOTES:

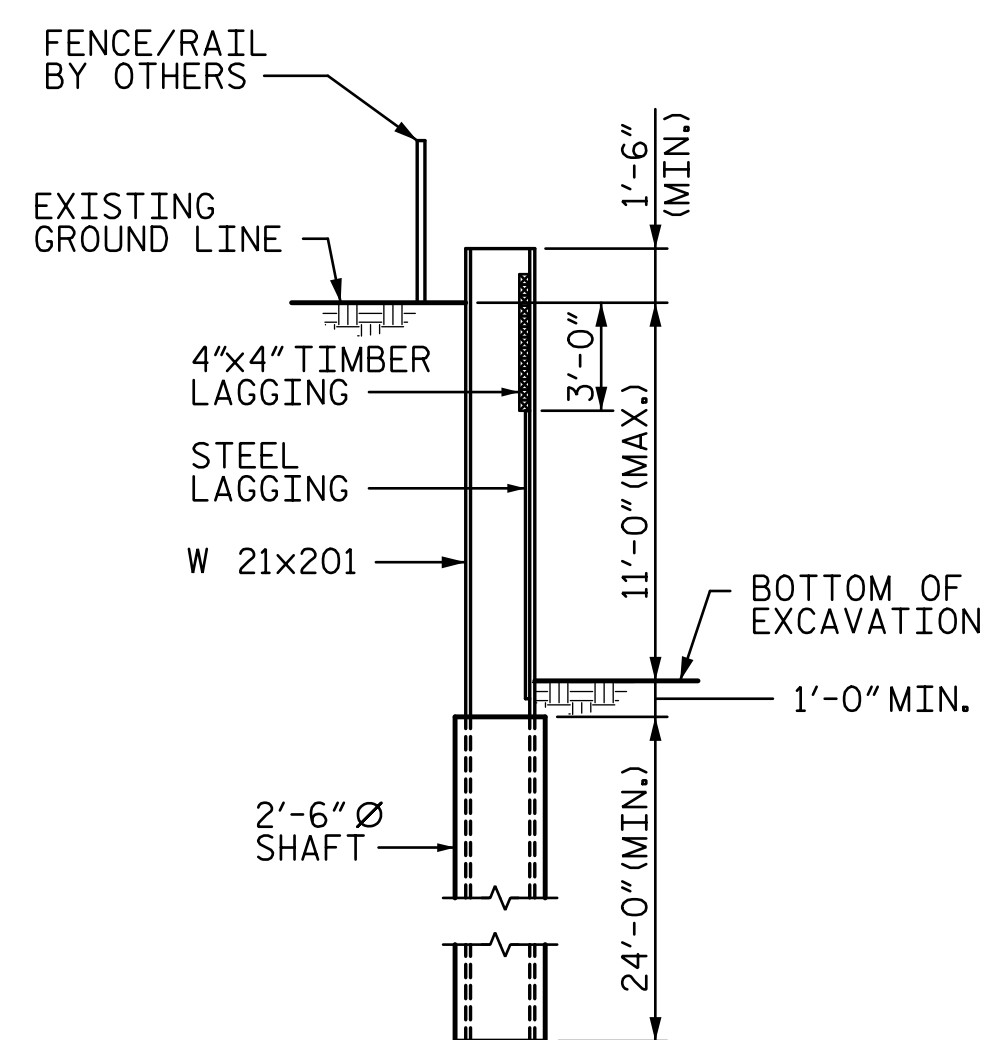
1. FOR NOTES SEE SHEET 1 OF 5.



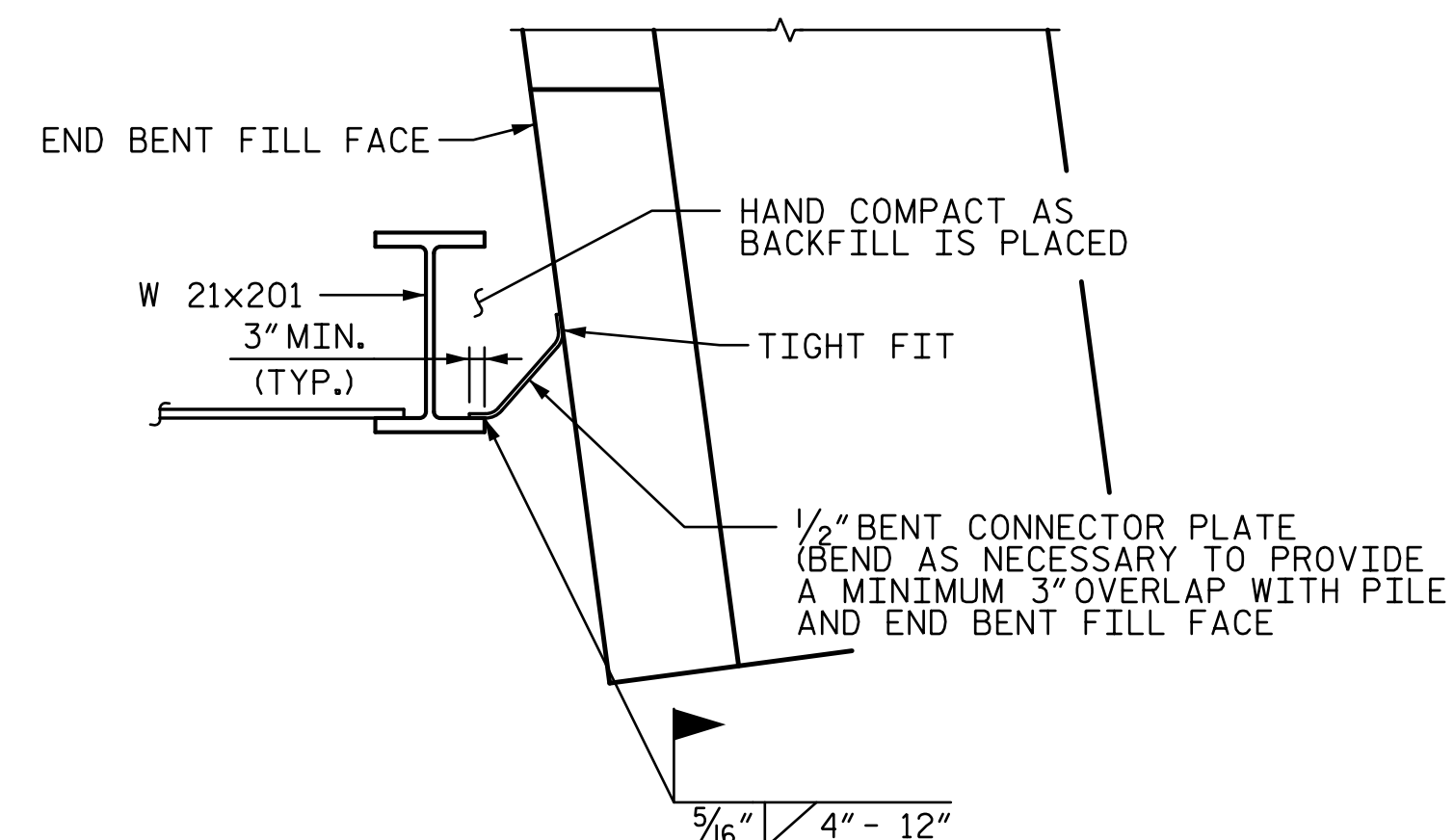
TYPICAL SECTION - SHORING 1



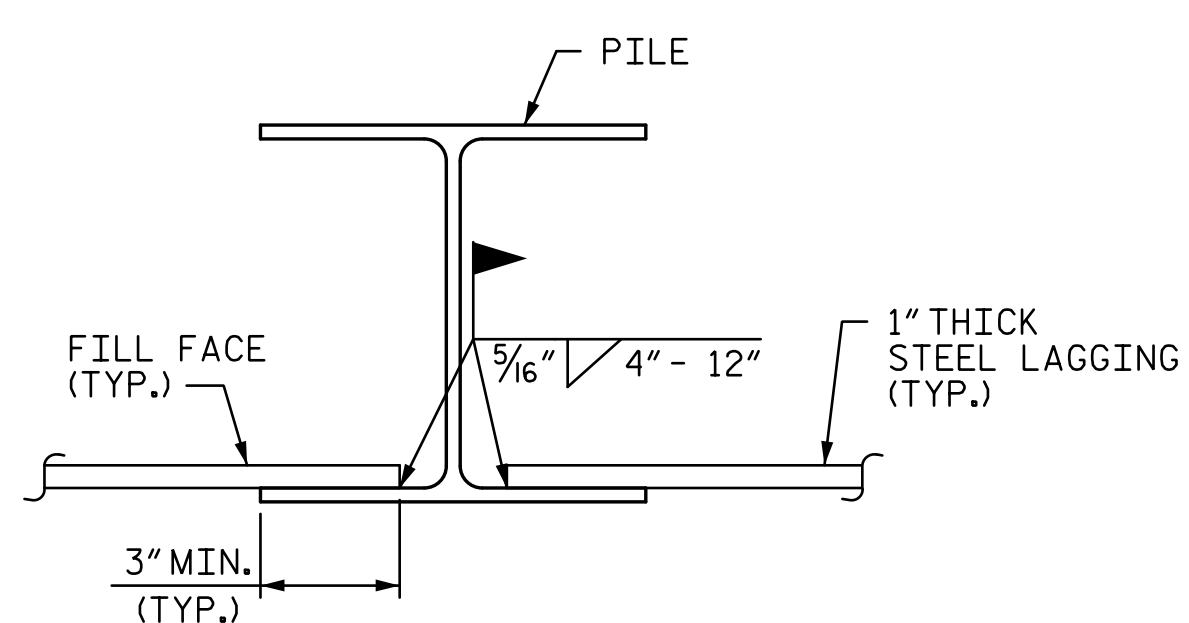
REINFORCED WEB DETAILS



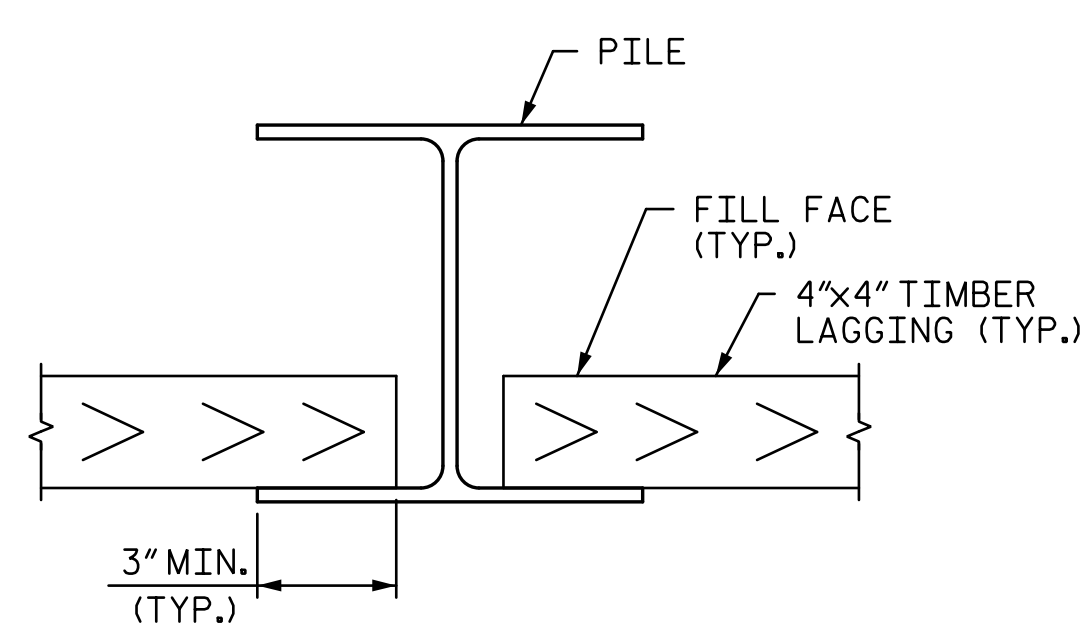
TYPICAL SECTION - SHORING 2 & 3



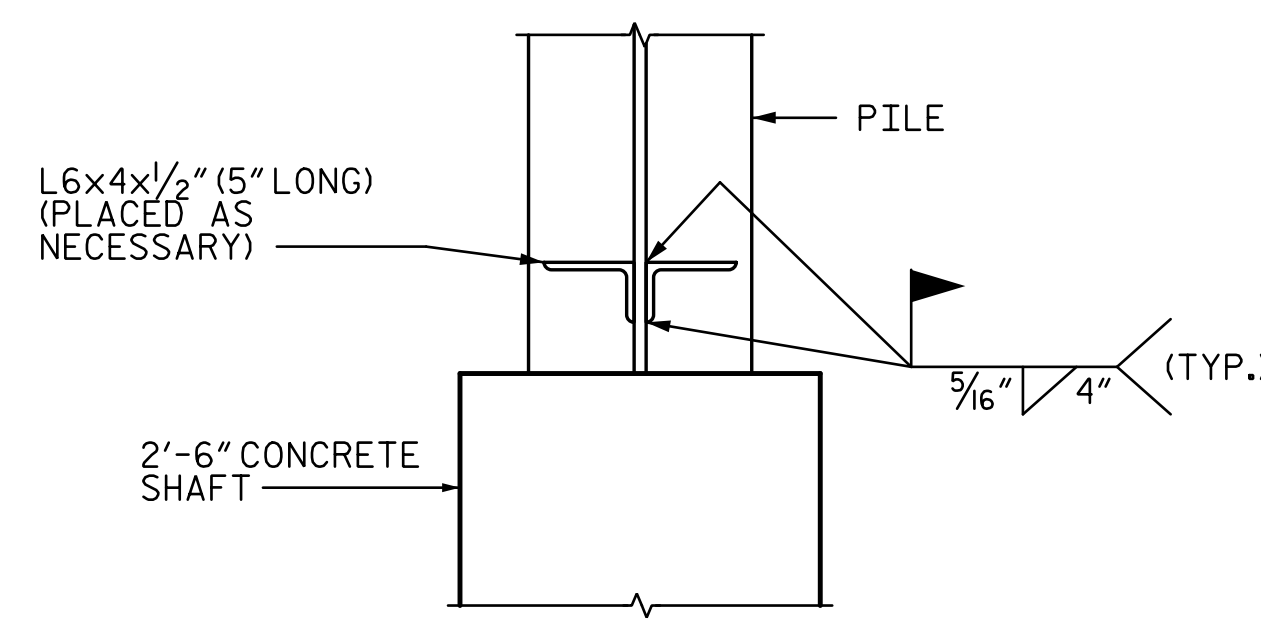
CONNECTOR PLATE DETAIL



PILE & STEEL



PILE & TIMBER



LAGGING STOP

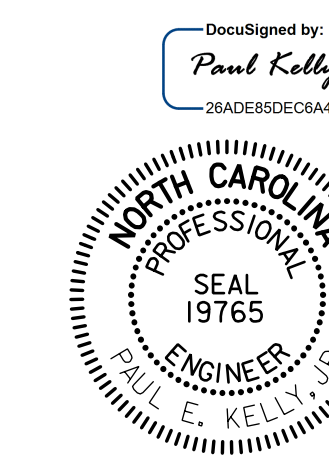
LAGGING DETAIL

PROJECT NO. U-3308
 DURHAM COUNTY
 STATION: POT 24+09.63 -LALT-
POT 21+11.43 -NSN-

SHEET 5 OF 5

STATE OF NORTH CAROLINA
 DEPARTMENT OF TRANSPORTATION
 RALEIGH

TEMPORARY SHORING



3/31/2015

REVISIONS				SHEET NO.	
NO.	BY:	DATE:	NO.	BY:	DATE:
1			3		
2			4		

S3-44
 TOTAL SHEETS
 44

DOCUMENT NOT CONSIDERED FINAL
 UNLESS ALL SIGNATURES COMPLETED

STV / Ralph Whitehead Associates, Inc.
 900 W Trade Street, Suite 715
 Charlotte, NC 28202
 NC License No. F-0991

I:\PROJ\251325\ustation\struct\Final\403_044_U3308_SML_TP505.dgn
 3/30/2015 4:26 PM olveyac

DRAWN BY : TRL/TJT DATE : 6-14
 CHECKED BY : PEK DATE : 6-14