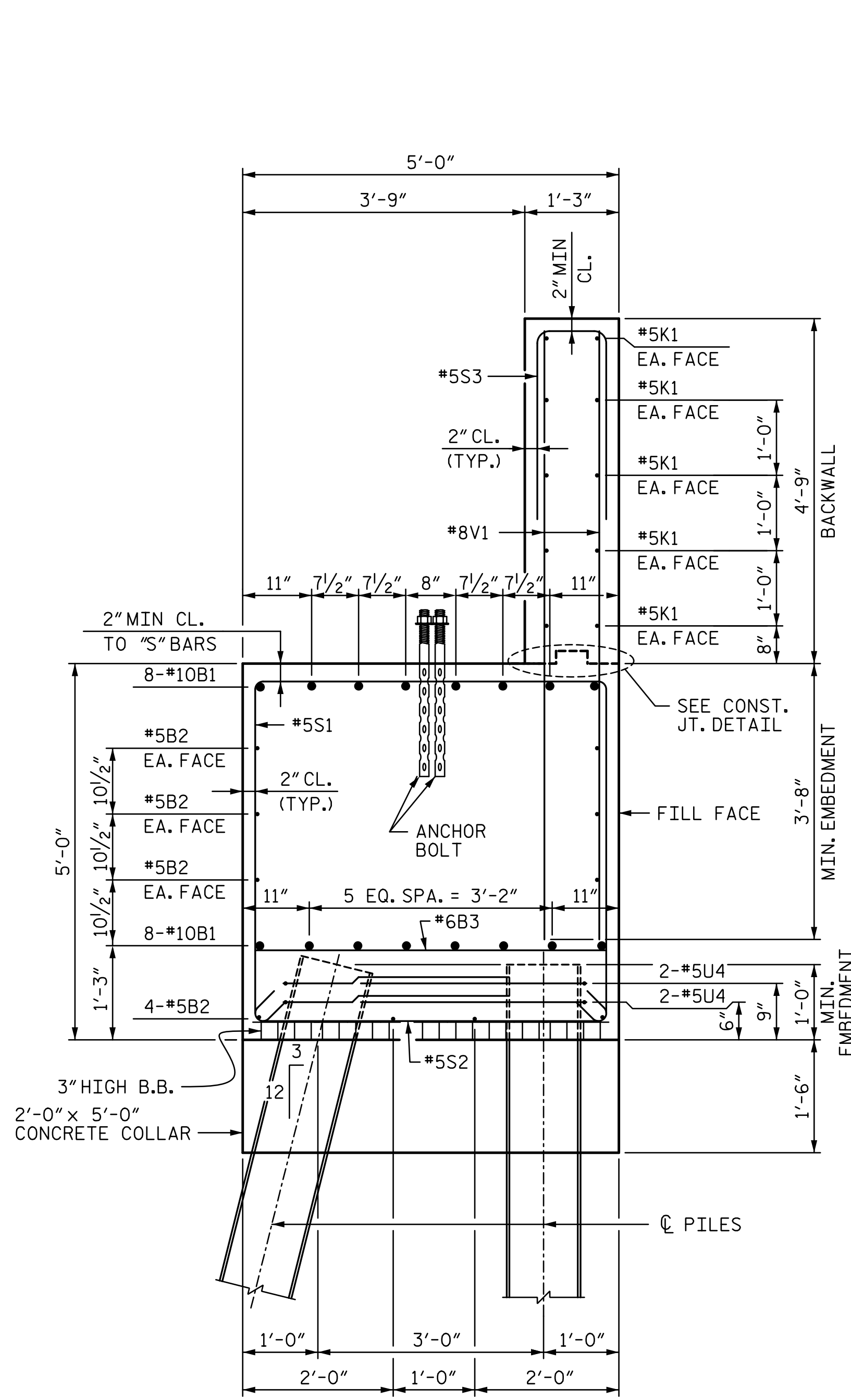
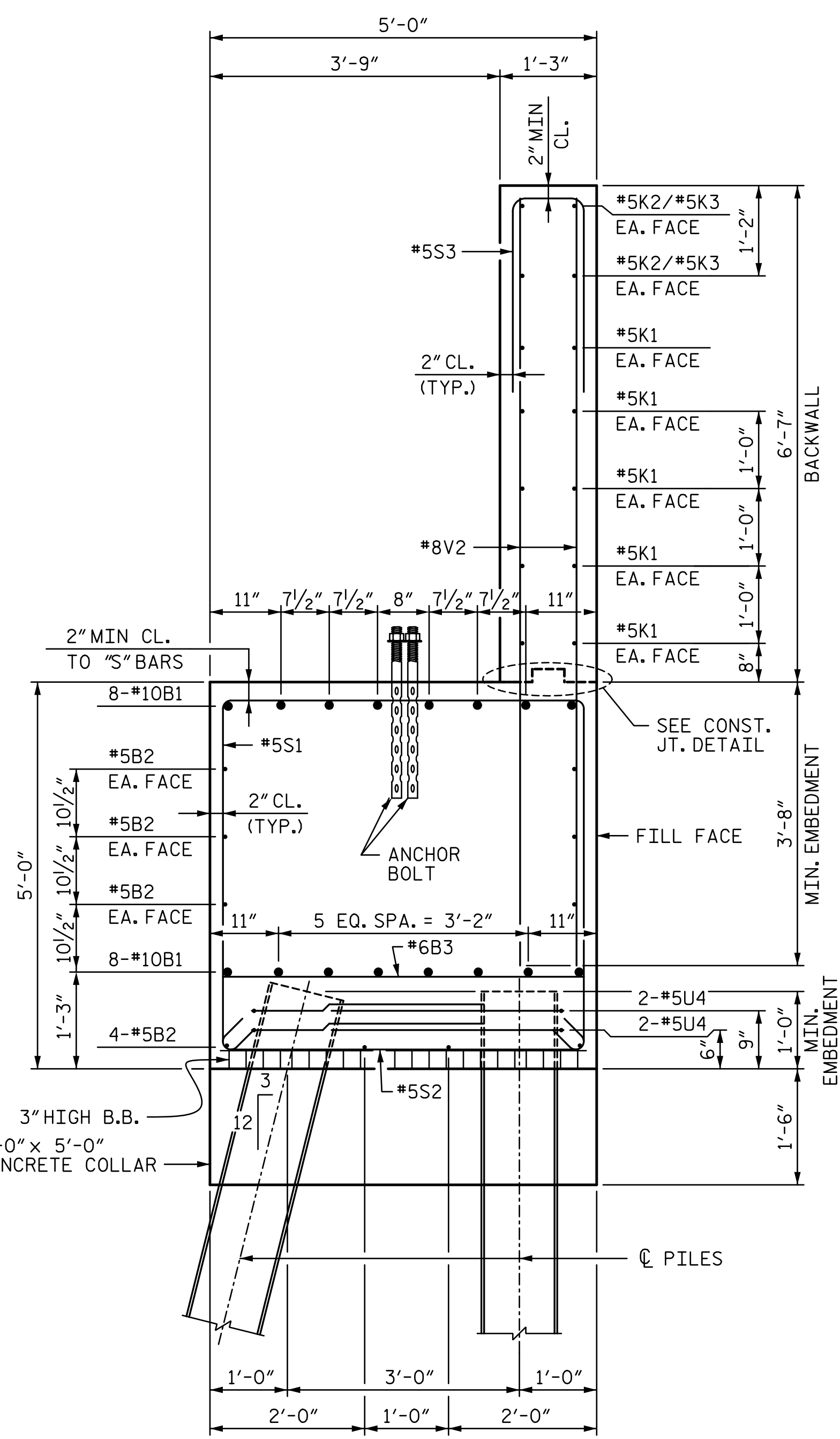


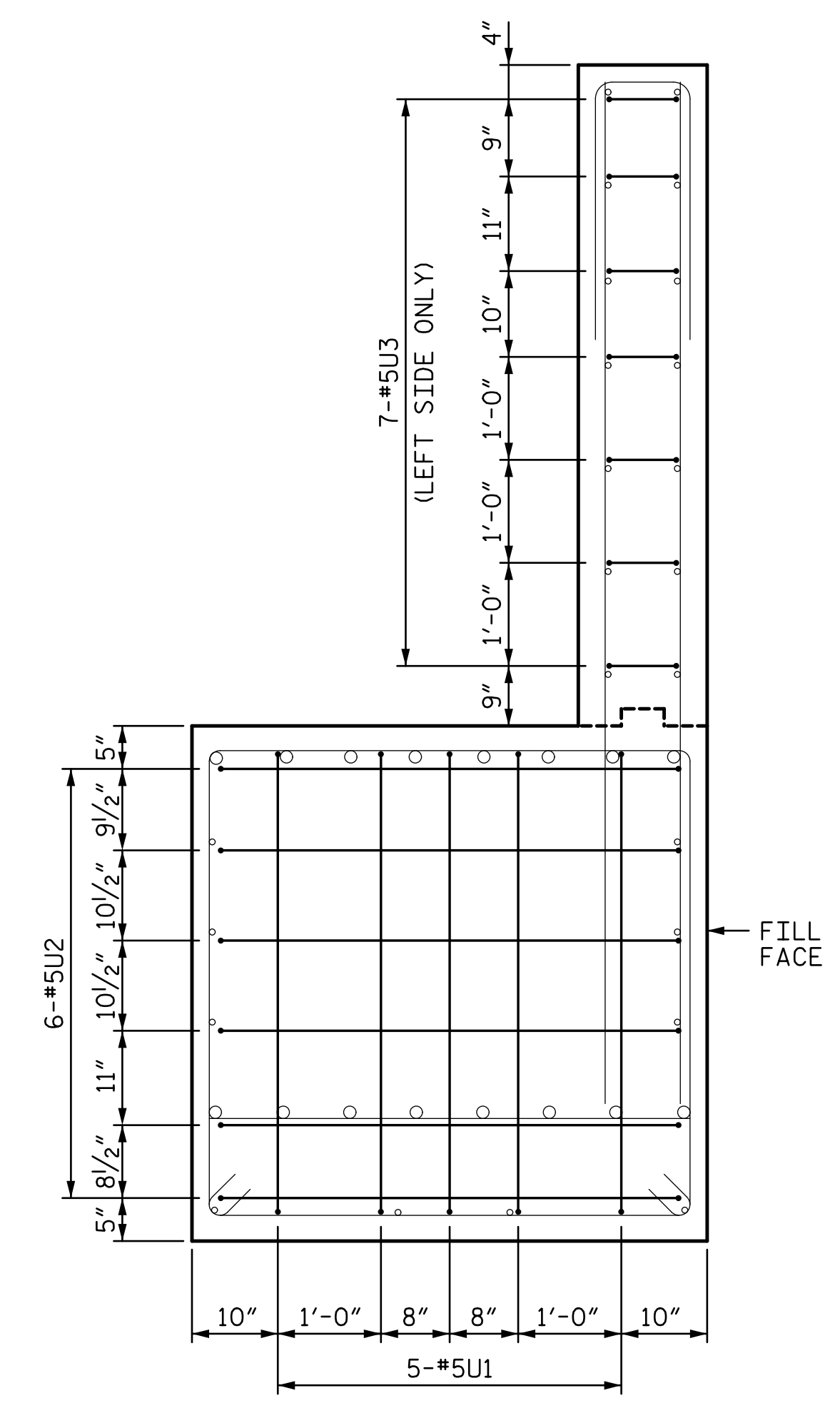
I:\PROJ\251325\ustation\struct\final\403_035_U3308_SML_AB202.dgn
 3/30/2015 4:40:22 PM
 alveyac



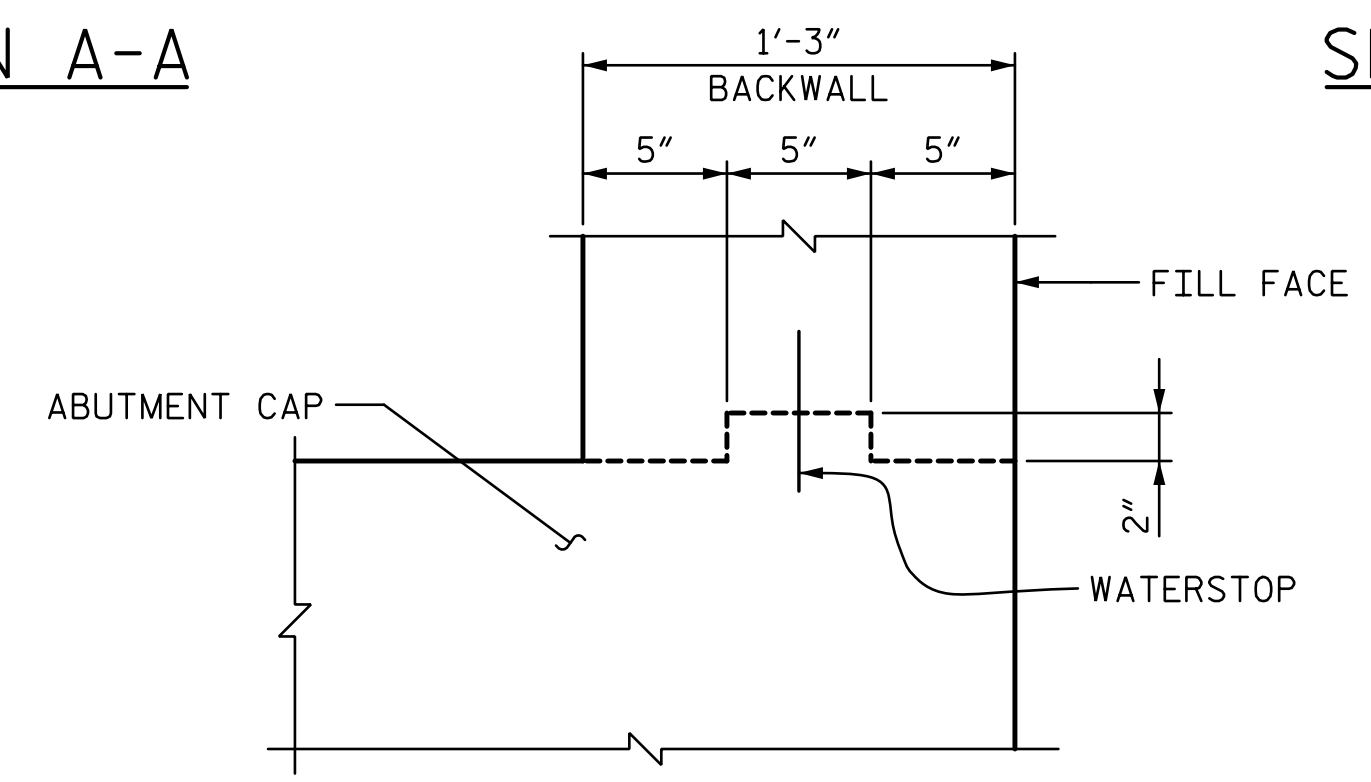
SECTION A-A



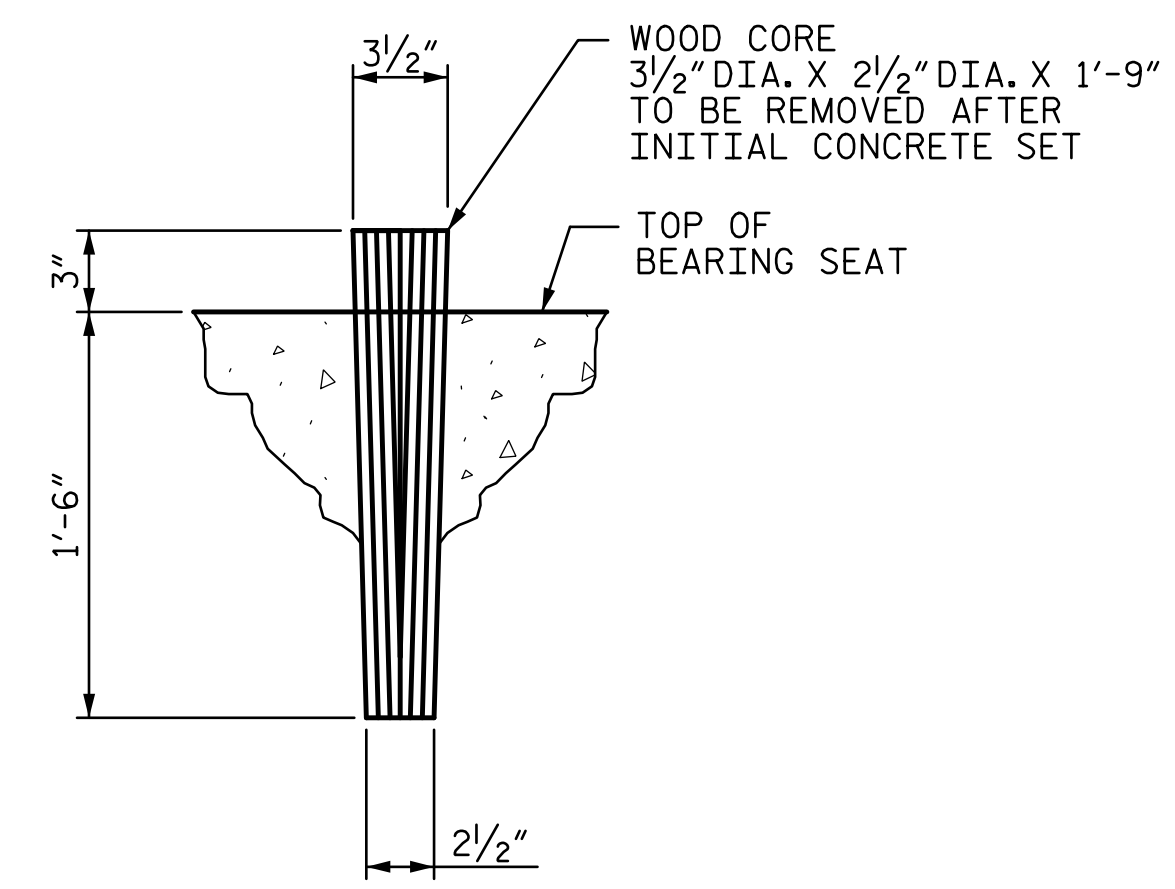
SECTION B-B



VIEW C-C



CONSTRUCTION JOINT DETAIL



ANCHOR BLOCK OUT DETAIL

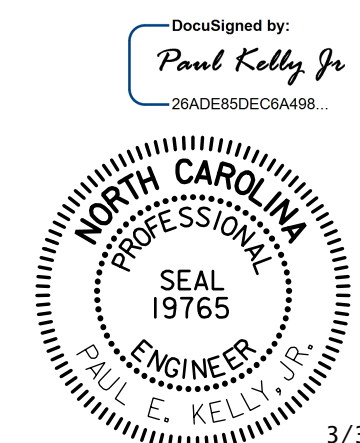
* IF FREEZING WEATHER IS ENCOUNTERED FILL HOLES WITH ANTIFREEZE AND SAWDUST.

PROJECT NO. U-3308
DURHAM COUNTY
 STATION: POT 24+09.63 -LALT-
POT 21+11.43 -NSN-

SHEET 2 OF 5

STATE OF NORTH CAROLINA
 DEPARTMENT OF TRANSPORTATION
 RALEIGH

ABUTMENT 2



REVISIONS				SHEET NO.	
NO.	BY:	DATE:	NO.	BY:	DATE:
1			3		
2			4		

DRAWN BY : TJT DATE : 06-14
 CHECKED BY : DJM DATE : 06-14

DOCUMENT NOT CONSIDERED FINAL UNLESS ALL SIGNATURES COMPLETED

STV / Ralph Whitehead Associates, Inc.
 900 W Trade Street, Suite 715
 Charlotte, NC 28202
 NC License No. F-0991