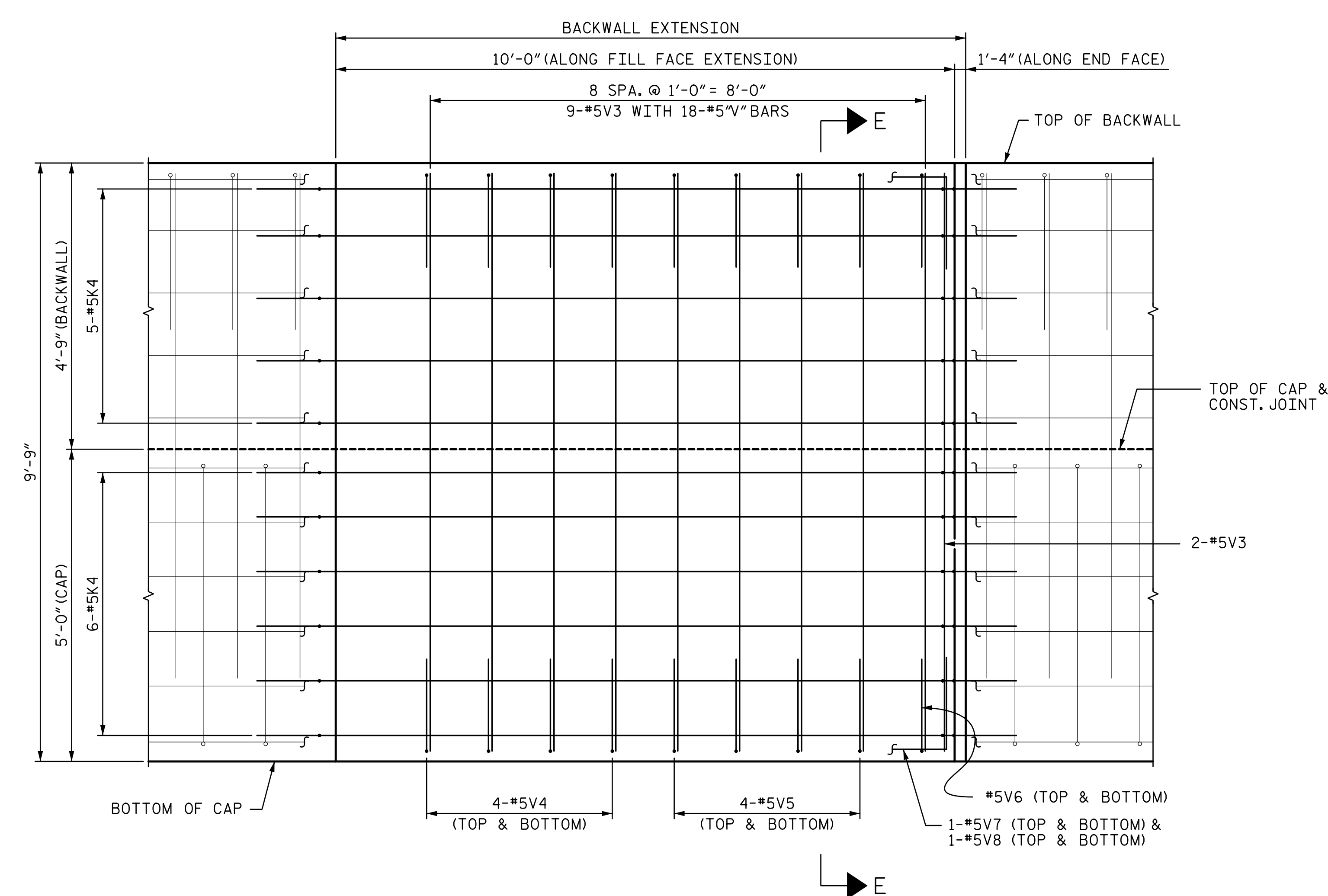
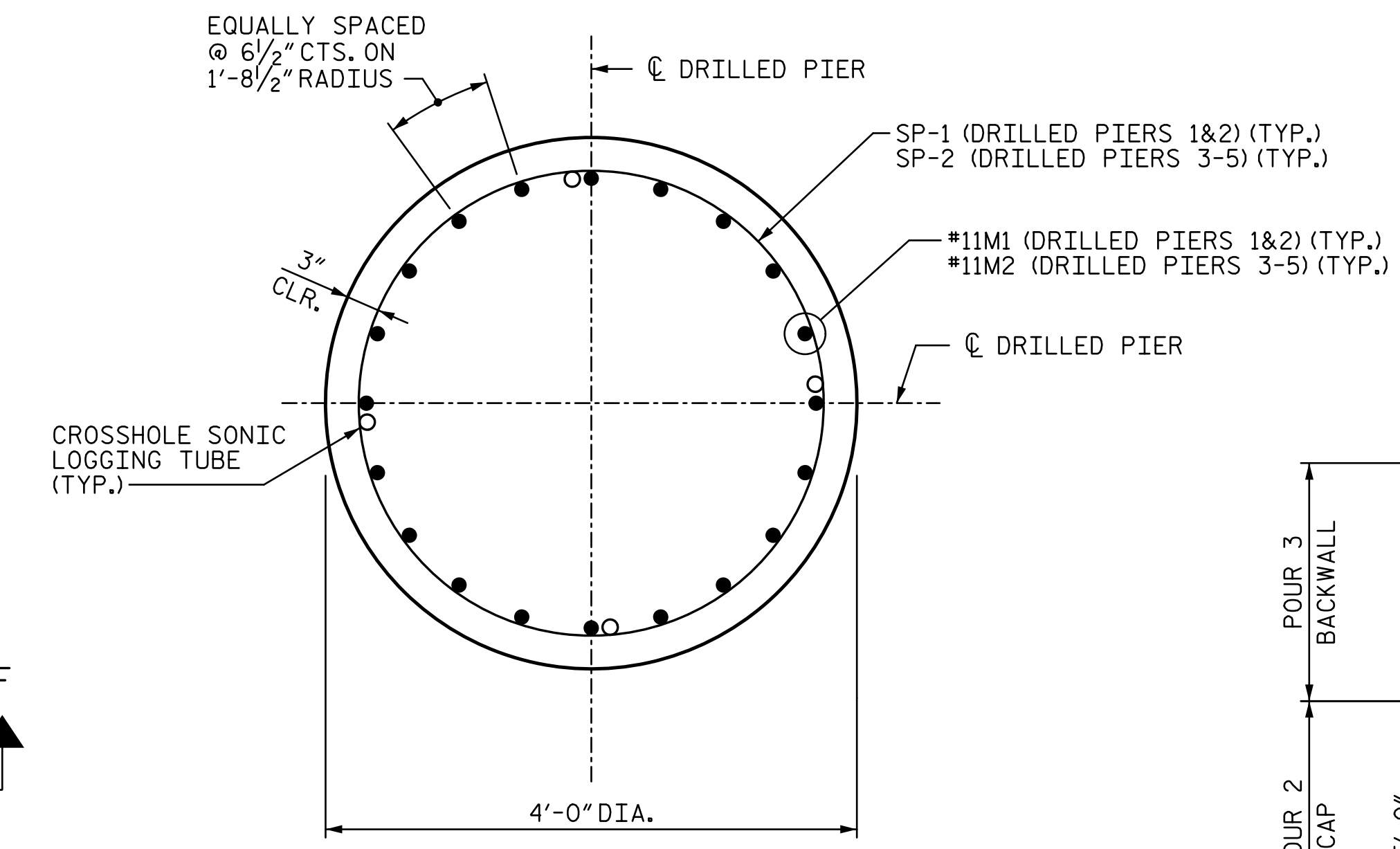


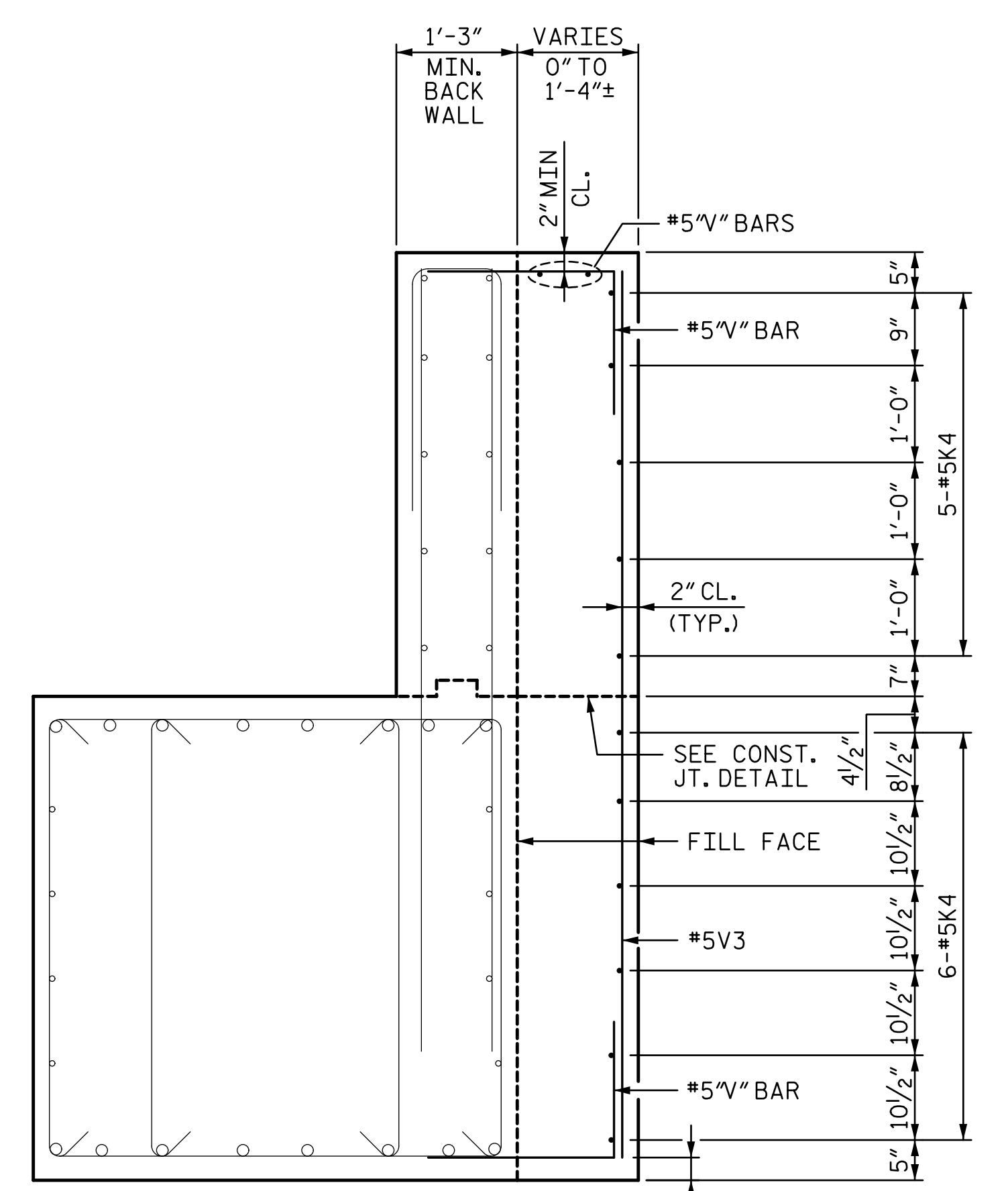
PLAN - TYPICAL BACKWALL EXTENSION DETAIL



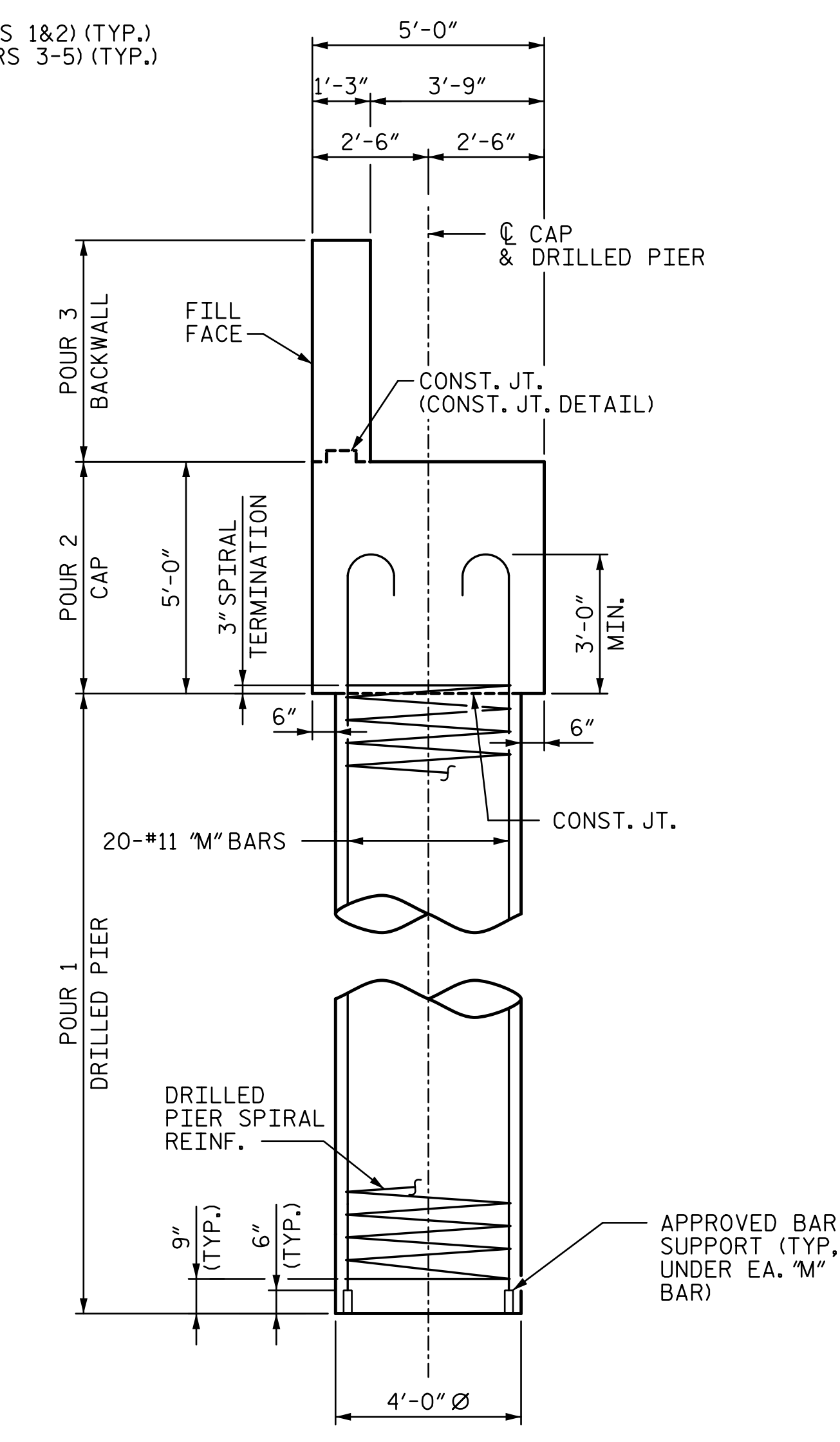
VIEW F-F - TYPICAL BACKWALL EXTENSION DETAIL



TYPICAL SECTION THROUGH DRILLED PIER



SECTION E-E



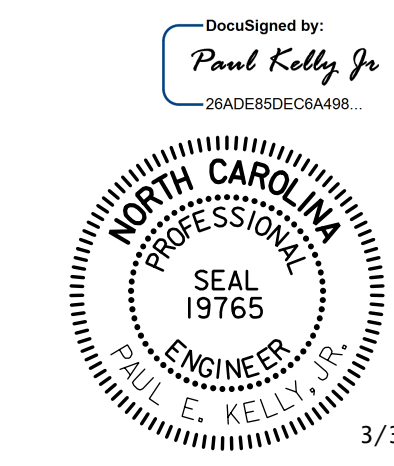
SECTION AT DRILLED PIER
(CAP REINFORCEMENT NOT SHOWN FOR CLARITY)

PROJECT NO. U-3308
DURHAM COUNTY
 STATION: POT 24+09.63 -LALT-
POT 21+11.43 -NSN-

SHEET 3 OF 5

STATE OF NORTH CAROLINA
 DEPARTMENT OF TRANSPORTATION
 RALEIGH

ABUTMENT 1



REVISIONS				SHEET NO.	
NO.	BY:	DATE:	NO.	BY:	DATE:
1			3		
2			4		

TOTAL SHEETS: 44

3/30/2015 4:40:20 PM I:\PROJ\251325\ustation\struct\final\403_028_U3308_SML-AB103.dgn olveyac

DRAWN BY: TJT DATE: 06-14
 CHECKED BY: DJM DATE: 06-14

DOCUMENT NOT CONSIDERED FINAL
 UNLESS ALL SIGNATURES COMPLETED

STV / Ralph Whitehead Associates, Inc.
 900 W Trade Street, Suite 715
 Charlotte, NC 28202
 NC License No. F-0991